

20-W Stereo Class-D

Audio Power Amplifier

DESCRIPTION

The EUA2100 is a high efficiency, 2 channel bridged-tied load (BTL), class-D audio power amplifier. Operating from a 18V power supply, EUA2100 is capable of delivering 20W/ channel of continuous output power to a 8Ω load with 10% THD+N. The EUA2100 features a differential input architecture offering improved noise immunity over a single-ended (SE) input amplifier. Amplifier gain is internally configured and can be selected to 20, 26, 32 or 36dB utilizing the Go and G1 gain select pins.

The EUA2100 also features short-circuit and thermal protection preventing the device from being damaged during a fault condition. The EUA2100 is available in thermally efficient 48-pin TQFP package.

FEATURES

- Wide Supply Voltage: 8V to 26V
- Unique Modulation Scheme Reduces EMI Emission
- 20-W/ch into an 8-Ω Load From a 18-V Supply
- 10-W/ch into an 8-Ω Load From a 12-V Supply
- 15-W/ch into an 4-Ω Load From a 12-V Supply
- 90% Efficient Class-D Operation Eliminates Need for Heat Sinks
- Four Selectable, Gain Settings
- Differential Inputs
- Thermal and Short-Circuit Protection
- Clock Output for Synchronization With Multiple Class-D Devices
- 7mm × 7mm, 48-pin TQFP Package
- RoHS compliant and 100% lead(Pb)-free

APPLICATIONS

- Televisions

Typical Application Circuit

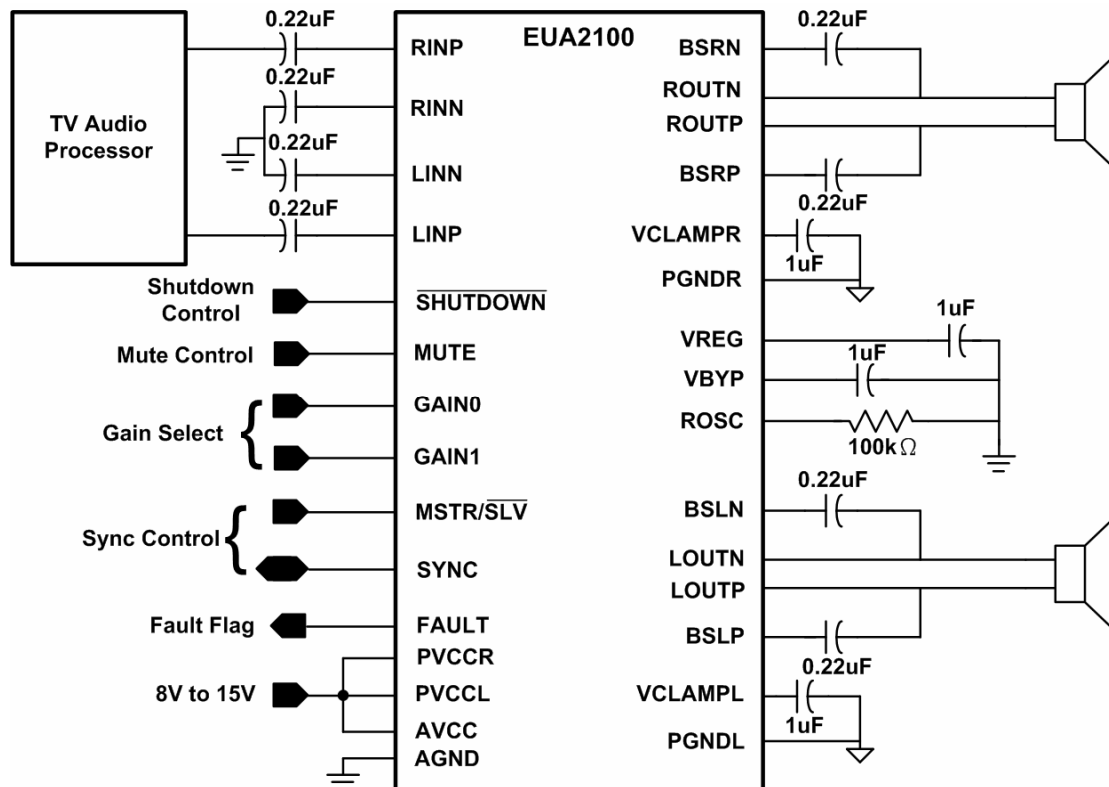


Figure1.