

20-W Stereo Class-D

Audio Power Amplifier

DESCRIPTION

The EUA2123 is a high efficient Class-D audio power amplifier for delivering up to 2×20W into a 4Ω stereo mode with a single-ended (SE) configuration or 1×40W into an 8Ω mono mode with a bridge-tied-load (BTL) configuration. The high efficiency of the EUA2123 eliminates the need for an external heat sink when playing music.

The gain of the amplifier is controlled by two gain select pins. The gain selections are 20, 26, 32, 36 dB. Short circuit and thermal-overload protection prevent the device from being damaged during a fault condition.

FEATURES

- 2×20W, THD=10% at 4Ω Load from a 24V Supply
- 2×10W, THD=10% at 8Ω Load from a 24V Supply
- 1×40W, THD=10% at 8Ω Load from a 24V Supply
- Operates from 10V to 30V
- Unique Modulation Scheme
- High Efficiency up to 90%
- Four Selectable Gain Settings
- Internal Oscillator
- Single-Ended Analog Inputs
- Mute and Shutdown Control
- Integrated On/Off/Mute Pop Suppression
- Thermal Protection with Auto Recovery
- Short-Circuit Latch-off Protection
- Space-Saving Surface-Mount 24-pin TSSOP Package
- RoHS compliant and 100% lead(Pb)-free

APPLICATIONS

- Televisions

Typical Application Circuit

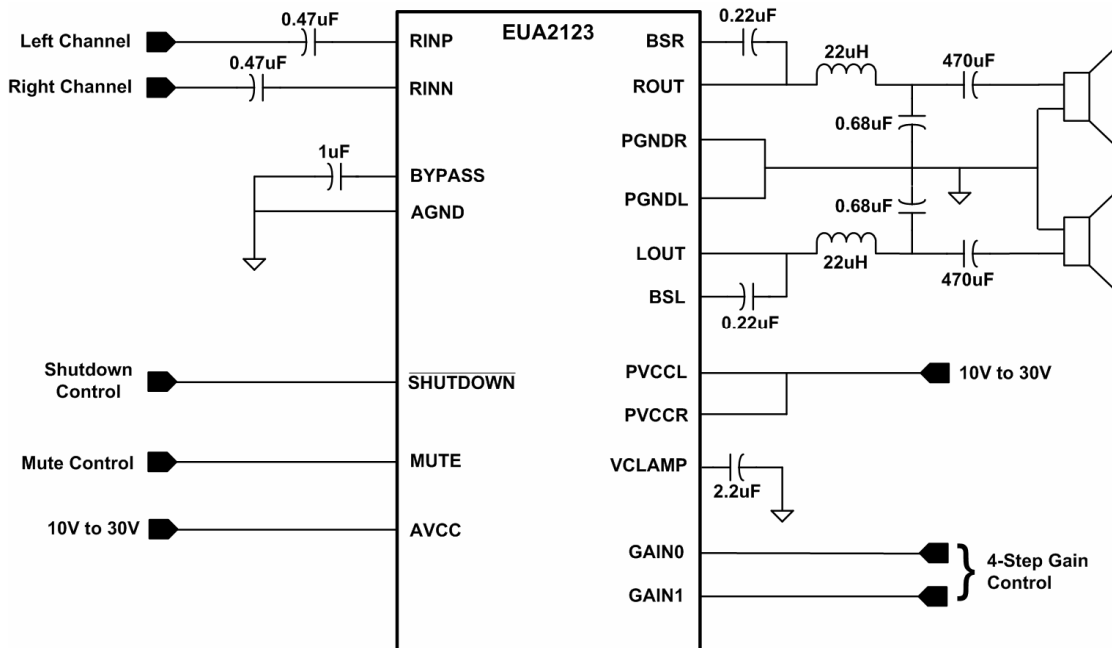


Figure1.