

FAN6862H / FAN6862HR

Highly Integrated Green-Mode PWM Controller

Features

- Low Startup Current: 8 μ A
- Low Operating Current in Green Mode: 2mA
- Peak-Current Mode Operation with Cycle-by-Cycle Current Limiting
- PWM Frequency Continuously Decreasing with Burst Mode at Light Loads
- V_{DD} Over-Voltage Protection (OVP)
- Constant Output Power Limit (Full AC Input Range)
- Internal Latch Circuit (FAN6862H) for OVP, OTP
- Fixed PWM Frequency (100KHz) with Frequency Hopping
- Feedback Open-Loop Protection with 56ms Delay
- Soft Startup Time: 5ms

Applications

General-purpose switched-mode power supplies and flyback power converters, including:

- Power Adapters
- Open-Frame SMPS
- SMPS with Surge-Current Output, such as for Printers, Scanners, Motor Drivers

Description

A highly integrated PWM controller, FAN6862H(HR) provides several features to enhance the performance of flyback converters. To minimize standby power consumption, a proprietary Green-Mode function provides off-time modulation to continuously decrease the switching frequency under light-load conditions. Under zero-load conditions, the power supply enters Burst Mode, which completely shuts off PWM output. Output restarts just before the supply voltage drops below the UVLO lower limit. This Green-Mode function enables power supplies to meet international power conservation requirements.

The FAN6862H(HR) is designed for SMPS and integrates frequency-hopping function internally, which helps reduce EMI emission of a power supply with minimum line filters. The built-in synchronized slope compensation is proprietary saw-tooth compensation for constant output power limit over universal AC input range. The gate output is clamped at 18V to protect the external MOSFET from over-voltage damage.

Other protection functions include V_{DD} Over-Voltage Protection (OVP) and Over-Temperature Protection (OTP). For over-temperature protection, an external NTC thermistor can be applied to sense the ambient temperature. When V_{DD} OVP or OTP is activated, an internal latch circuit latches off the controller.

Ordering Information

Part Number	Operating Temperature Range	OVP	OLP	OTP/OTP2	Package	Packing Method
FAN6862HTY	-40 to +105°C	Latch	A/R	Latch	6-Pin, Super Small Outline Package, SuperSOT™-6	Tape & Reel
FAN6862HRTY	-40 to +105°C	Auto-Restart (A/R)			6-Pin, Super Small Outline Package, SuperSOT™-6	Tape & Reel

Typical Application

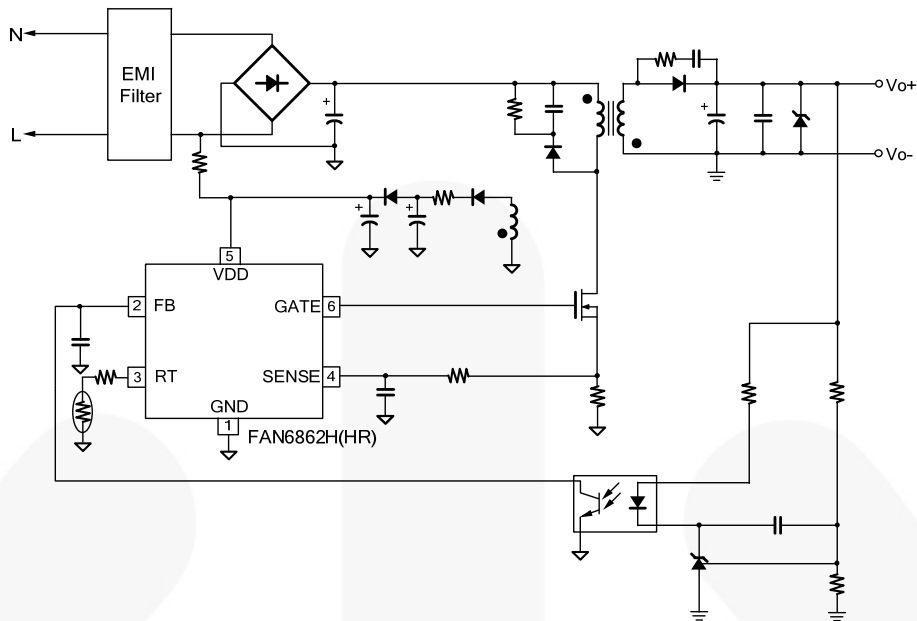


Figure 1. Typical Application

Block Diagram

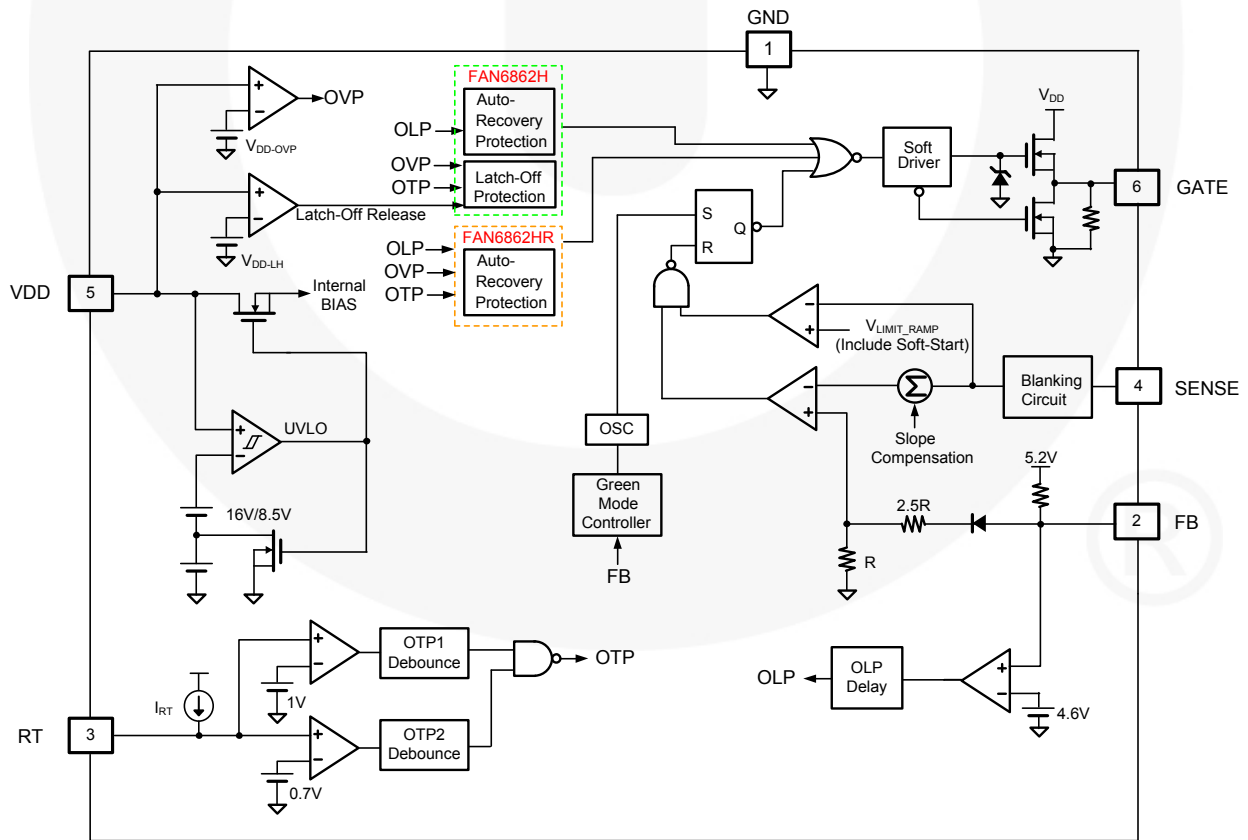


Figure 2. Block Diagram

Marking Information

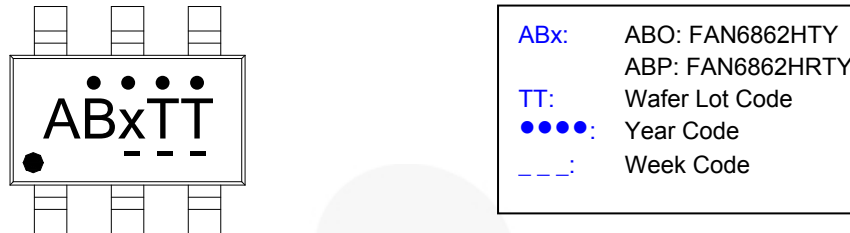


Figure 3. Top Mark

Pin Configuration

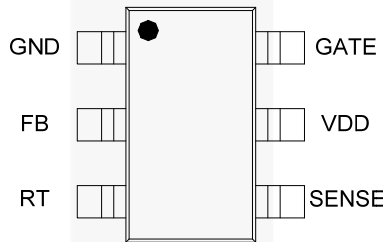


Figure 4. Pin Assignments

Pin Definitions

Pin #	Name	Function	Description
1	GND	Ground	Ground
2	FB	Feedback	Feedback. The FB pin provides the output voltage regulation signal. It provides feedback to the internal PWM comparator, so the PWM comparator can control the duty cycle. This pin also provides OCP: once V_{FB} is larger than the trigger level and lasts for a long time, the controller stops and restarts.
3	RT	Temperature Detection	For over-temperature protection, an external NTC thermistor is connected from this pin to the GND pin. The impedance of the NTC thermistor decreases at high temperatures. Once the voltage of the RT pin drops below a threshold, PWM output is disabled.
4	SENSE	Current Sense	This pin senses the voltage across a resistor. When the voltage reaches the internal threshold, PWM output is disabled. This activates over-current protection. This pin also provides current amplitude information for current-mode control.
5	VDD	Power Supply	Power supply
6	GATE	Driver Output	The totem-pole output driver for driving the power MOSFET.

Absolute Maximum Ratings

Stresses exceeding the absolute maximum ratings may damage the device. The device may not function or be operable above the recommended operating conditions and stressing the parts to these levels is not recommended. In addition, extended exposure to stresses above the recommended operating conditions may affect device reliability. The absolute maximum ratings are stress ratings only. All voltage values, except differential voltages, are given with respect to GND pin.

Symbol	Parameter	Min.	Max.	Unit
V_{DD}	Supply Voltage		30	V
V_L	Input Voltage to FB, SENSE, RT Pins	-0.3	7.0	V
P_D	Power Dissipation at $T_A < 50^\circ\text{C}$		300	mW
Θ_{JC}	Thermal Resistance (Junction-to-Case)		115	$^\circ\text{C}/\text{W}$
T_J	Operating Junction Temperature	-40	+125	$^\circ\text{C}$
T_{STG}	Storage Temperature Range	-55	+150	$^\circ\text{C}$
T_L	Lead Temperature, Wave Soldering, 10 Seconds		+260	$^\circ\text{C}$
ESD	Human Body Model, JESD22-A114		4	kV
	Charge Device Model, JESD22-C101		2	

Recommended Operating Conditions

The Recommended Operating Conditions table defines the conditions for actual device operation. Recommended operating conditions are specified to ensure optimal performance to the datasheet specifications. Fairchild does not recommend exceeding them or designing to Absolute Maximum Ratings.

Symbol	Parameter	Min.	Max.	Unit
T_A	Operating Ambient Temperature	-40	+105	$^\circ\text{C}$

Electrical Characteristics

$V_{DD} = 15V$ and $T_A = 25^\circ C$ unless otherwise noted.

Symbol	Parameter	Test Conditions	Min.	Typ.	Max.	Unit	
V_{DD} Section							
V_{DD-OP}	Continuously Operating Voltage				24	V	
V_{DD-ON}	Turn-On Threshold Voltage		15	16	17	V	
V_{DD-OFF}	Turn-Off Voltage		7.5	8.5	9.5	V	
V_{DD-LH}	Threshold voltage for Latch-Off release		3	4	5	V	
I_{DD-ST}	Startup Current	$V_{TH-ON} - 0.16V$		8	30	μA	
I_{DD-OP}	Normal Operating Supply Current	With 1nF Load on Gate, $V_{FB} \geq V_{FB-N}$		3	4	mA	
I_{DD-BM}	Green Mode Operating Supply Current	GATE Open, $V_{FB} = V_{FB-G}$			2.5	mA	
V_{DD-OVP}	V_{DD} Over Voltage Protection	FAN6862H Latch, FAN6862HR Auto-Restart	24	25	26	V	
$t_{D-VDDOVP}$	V_{DD} OVP Debounce Time			30	50	μs	
I_{DD-LH}	Latch-Off Holding Current	$V_{DD} = 5V$		40	65	μA	
Feedback Input Section							
A_V	Input-Voltage to Current-Sense Attenuation		1/4.0	1/3.5	1/3.0	V/V	
Z_{FB}	Input Impedance			6		k Ω	
V_{FBO}	FB Pin Open Voltage		5.0	5.2	5.4	V	
V_{FB-OLP}	Threshold Voltage for Open-Loop Protection		4.3	4.6	4.9	V	
t_{D-OLP}	Open-Loop Protection Delay			56		ms	
Current Sense Section							
t_{PD}	Delay to Output			100	250	ns	
t_{LEB}	Leading-Edge Blanking Time		270	360		ns	
V_{STHFL}	Flat Threshold Voltage for Current Limit	Duty > 51%	0.52	0.55	0.58	V	
V_{STHVA}	Valley Threshold Voltage for Current Limit	Duty = 0%	0.37	0.40	0.43	V	
$t_{SOFT-START}$	Period During Startup	Startup Time	4	5	6	ms	
Oscillator Section							
f_{OSC}	Normal PWM Frequency	Center Frequency	$V_{FB} > V_{FB-N}$	95.5	100.0	104.5	kHz
		Hopping Range	$V_{FB} \geq V_{FB-N}$	± 5.9	± 6.5	± 7.3	
		Hopping Range ⁽¹⁾	$V_{FB} = V_{FB-G}$		± 2.9		
t_{hop-1}	Hopping Period 1 ⁽¹⁾		$V_{FB} \geq V_{FB-N}$		4.4	ms	
t_{hop-3}	Hopping Period 3 ⁽¹⁾		$V_{FB} = V_{FB-G}$		11.5	ms	
f_{OSC-G}	Green Mode Minimum Frequency		23	25	27	kHz	
V_{FB-N}	FB Threshold Voltage For Frequency Reduction		2.4	2.6	2.8	V	
V_{FB-G}	FB Voltage at f_{OSC-G}		1.9	2.1	2.3	V	
V_{FB-ZDC}	FB Threshold Voltage for Zero Duty			1.7		V	
f_{DV}	Frequency Variation vs. V_{DD} Deviation	$V_{DD} = 11.5V$ to $20V$		0.02		%	
f_{DT}	Frequency Variation vs. Temperature Deviation	$T_A = -40$ to $+105^\circ C$			2	%	

Continued on following page...

Electrical Characteristics (Continued)

$V_{DD} = 15V$, $T_A = 25^\circ C$, unless noted.

Symbol	Parameter	Test Conditions	Min.	Typ.	Max.	Unit
PWM Output Section						
DCY_{MAX}	Maximum Duty Cycle		60	65	70	%
V_{OL}	Output Voltage Low	$V_{DD} = 15V$, $I_O = 50mA$			1.5	V
V_{OH}	Output Voltage High	$V_{DD} = 8V$, $I_O = 50mA$	6			V
t_R	Rising Time	GATE = 1nF		150	200	ns
t_F	Falling Time	GATE = 1nF		35	80	ns
V_{CLAMP}	Gate Output Clamping Voltage	$V_{DD} = 20V$	15.0	16.5	18.0	V
Over-Temperature Protection (OTP) Section						
I_{RT}	Output Current of RT Pin		92	100	108	μA
V_{OTP}	Threshold Voltage for Over-Temperature Protection	FAN6862H Latch, FAN6862HR Auto-Restart	0.97	1.00	1.07	V
t_{DOTP}	Over-Temperature Debounce Time	$V_{FB} = V_{FB-N}$	15	17	19	ms
		$V_{FB} = V_{FB-G}^{(1)}$		51		
V_{OTP2}	2 nd Threshold Voltage for Over-Temperature Protection	FAN6862H Latch, FAN6862HR Auto-Restart	0.65	0.70	0.75	V
t_{DOTP2}	2 nd Over-Temperature Debounce Time		80	200	250	μs

Note:

1. Guarantee by design.

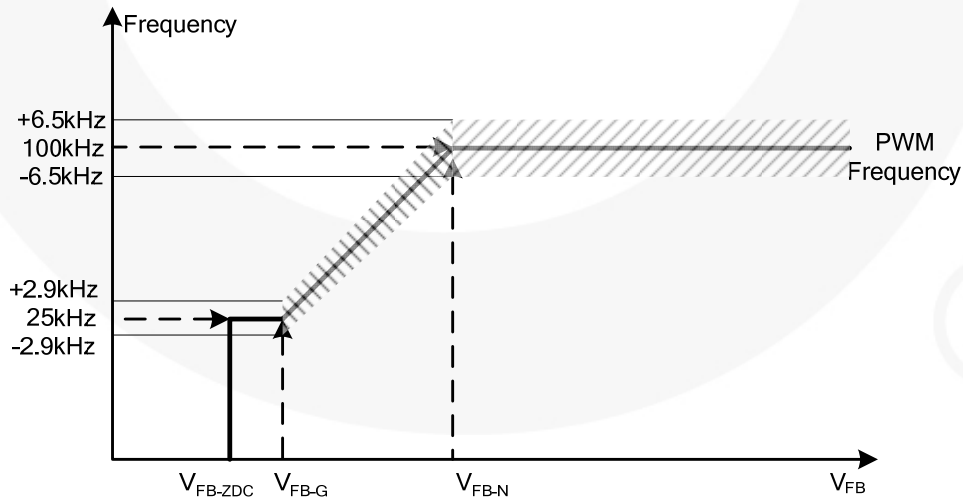


Figure 5. PWM Frequency

Typical Performance Characteristics

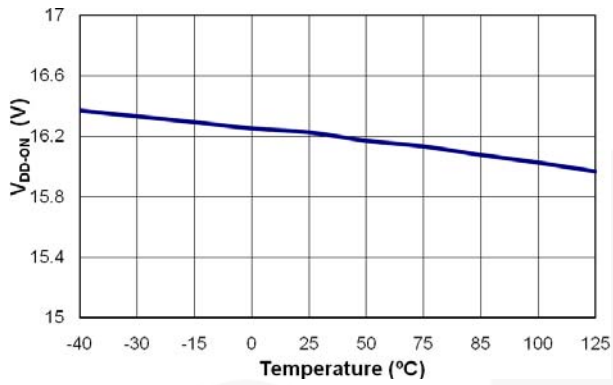


Figure 6. Turn-On Threshold Voltage (V_{DD-ON}) vs. Temperature

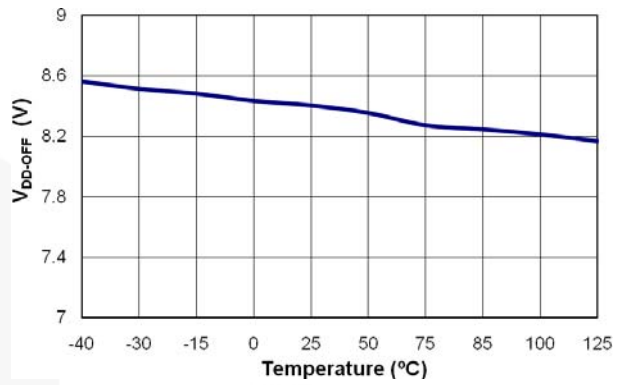


Figure 7. Turn-Off Threshold Voltage (V_{DD-OFF}) vs. Temperature

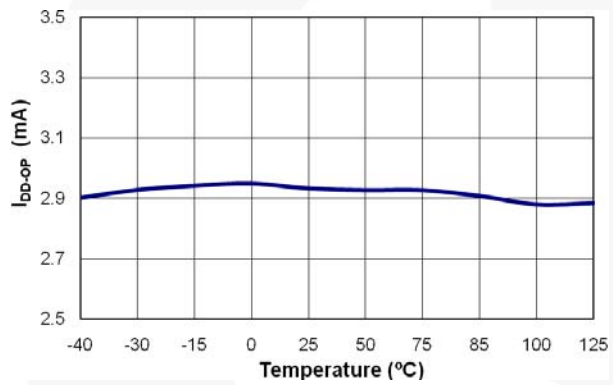


Figure 8. Operating Current (I_{DD-OP}) vs. Temperature

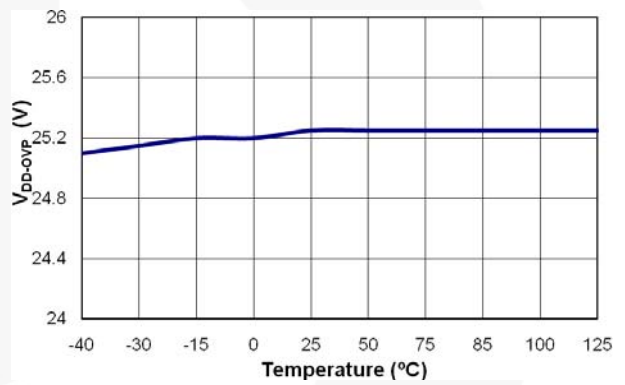


Figure 9. V_{DD} Over-Voltage Protection (V_{DD-OVP}) vs. Temperature

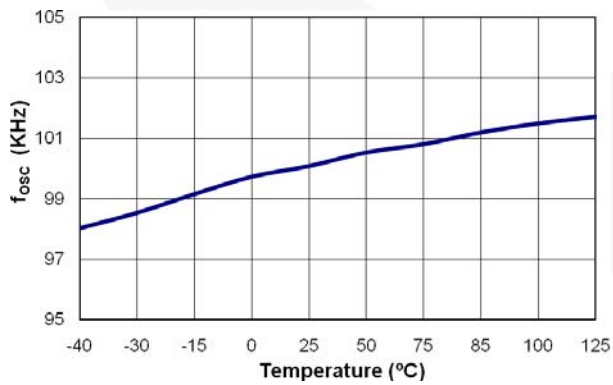


Figure 10. Center Frequency (f_{OSC}) vs. Temperature

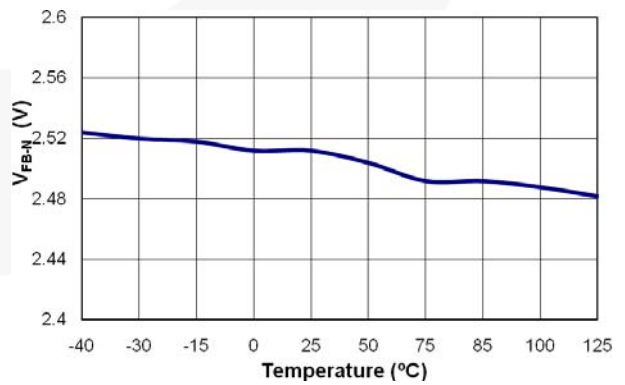


Figure 11. FB Threshold Voltage for Frequency Reduction (V_{FB-N}) vs. Temperature

Typical Performance Characteristics (Continued)

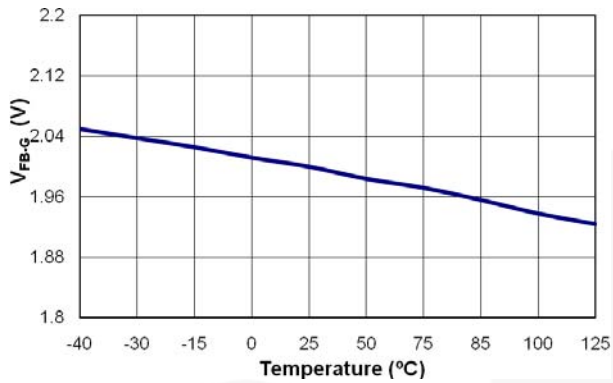


Figure 12. FB Voltage at f_{OSC-G} (V_{FB-G}) vs. Temperature

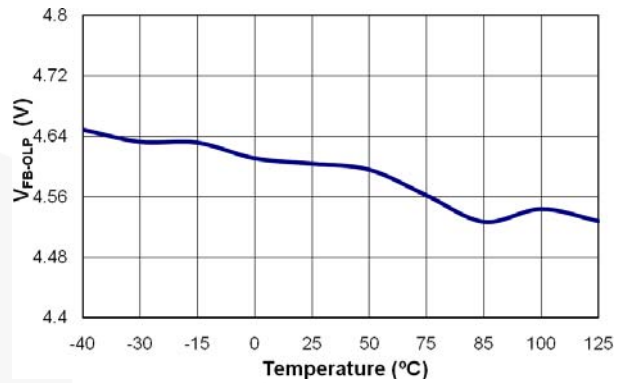


Figure 13. Threshold Voltage for Open-Loop Protection (V_{FB-OLP}) vs. Temperature

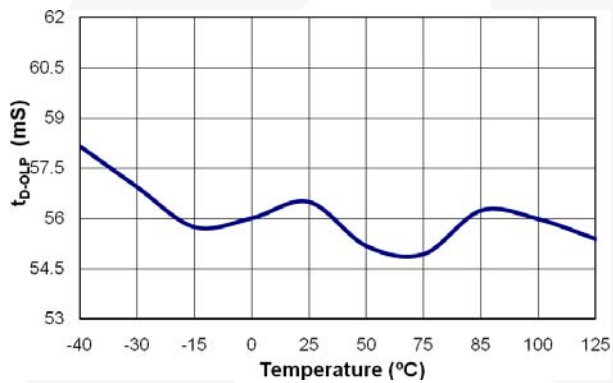


Figure 14. Open-Loop Protection Delay (t_{D-OLP}) vs. Temperature

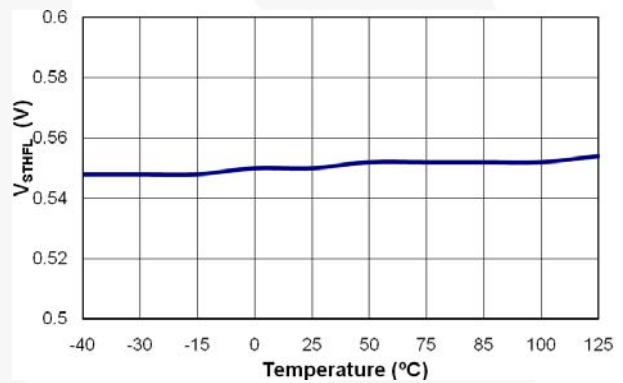


Figure 15. Flat Threshold Voltage for Current Limit (V_{STHFL}) vs. Temperature

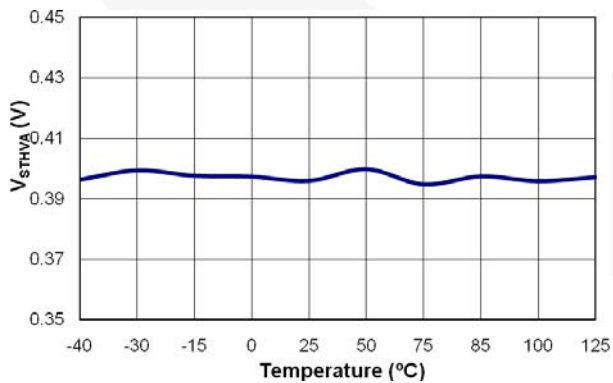


Figure 16. Valley Threshold Voltage for Current Limit (V_{STHVA}) vs. Temperature

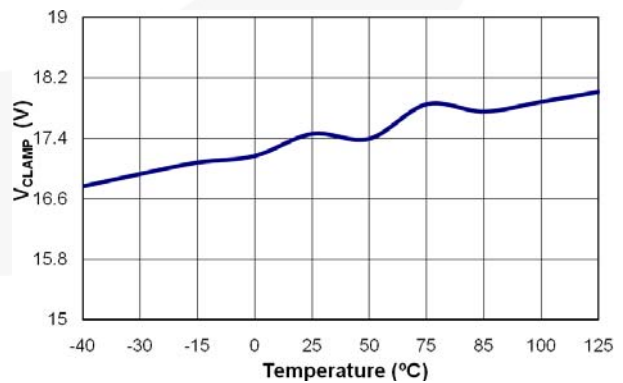


Figure 17. GATE Output Clamping Voltage (V_{CLAMP}) vs. Temperature

Typical Performance Characteristics (Continued)

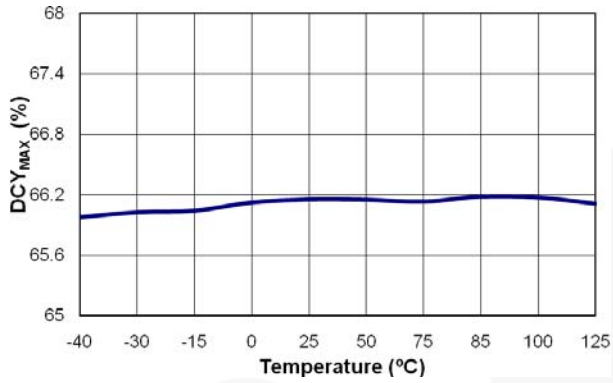


Figure 18. Maximum Duty Cycle (DCY_{MAX}) vs. Temperature

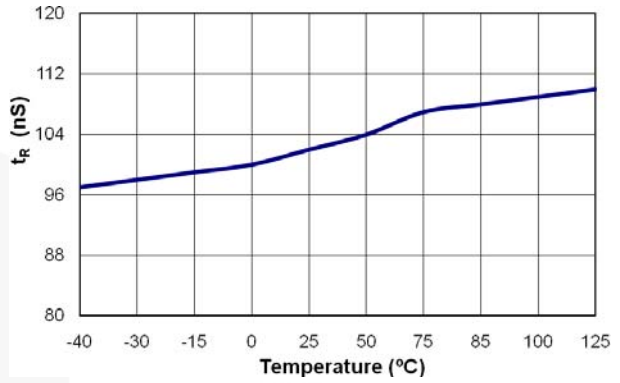


Figure 19. Rising Time (t_R) vs. Temperature

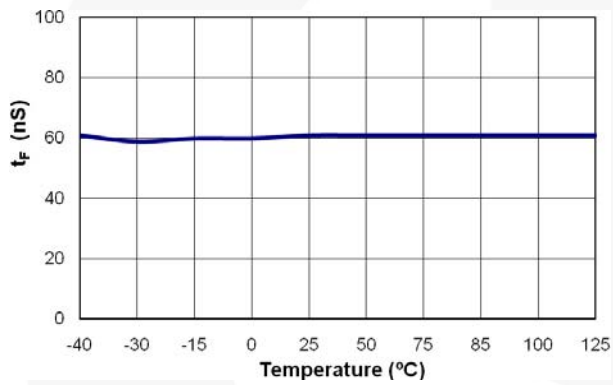


Figure 20. Falling Time (t_F) vs. Temperature

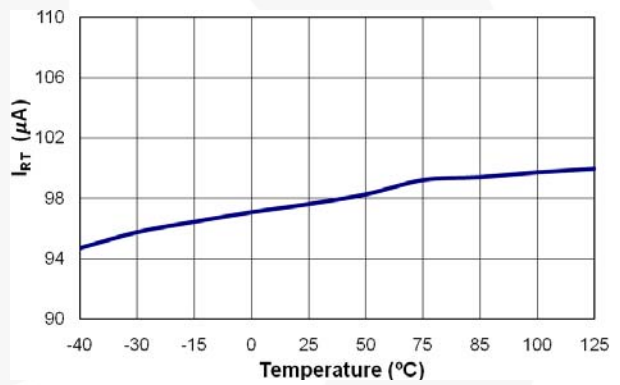


Figure 21. Output Current of RT Pin (I_{RT}) vs. Temperature

Operation Description

Startup Operation

Figure 22 shows a typical startup circuit and transformer auxiliary winding for a FAN6862H(HR) application. Before FAN6862H(HR) begins switching, it consumes only startup current (typically 8μA) and the current supplied through the startup resistor charges the V_{DD} capacitor (C_{DD}). When V_{DD} reaches a turn-on voltage of 16V (V_{DD-ON}), switching begins and the current consumed increases to 2mA. Then, the power required is supplied from the transformer auxiliary winding. The large hysteresis of V_{DD} (8.5V) provides more holdup time, which allows using a small capacitor for V_{DD} . The startup resistor is typically connected to the AC line for a fast reset of latch protection.

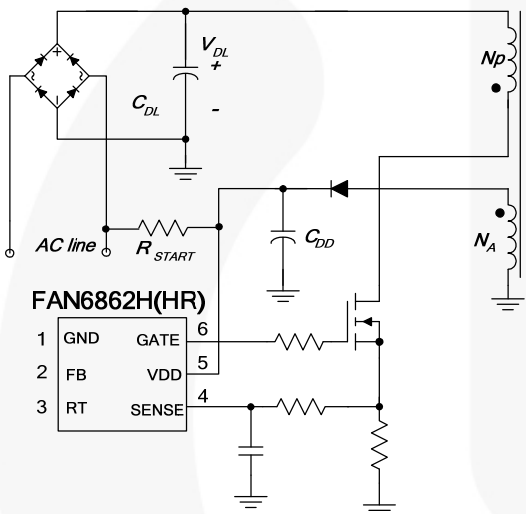


Figure 22. Startup Circuit

Green-Mode Operation

The FAN6862H(HR) uses feedback voltage (V_{FB}) as an indicator of the output load and modulates the PWM frequency, as shown in Figure 23, such that the switching frequency decreases as load decreases. In heavy-load conditions, the switching frequency is 65kHz. Once V_{FB} decreases below V_{FB-N} (2.6V), the PWM frequency starts to linearly decrease from 100kHz to 25kHz to reduce the switching losses. As V_{FB} decreases below V_{FB-G} (2.1V), the switching frequency is fixed at 25kHz and FAN6862H(HR) enters “deep” Green Mode, where the operating current decreases to 2.5mA (maximum), further reducing the standby power consumption. As V_{FB} decreases below V_{FB-ZDC} (1.7V), FAN6862H(HR) enters Burst Mode. When V_{FB} drops below V_{FB-ZDC} , FAN6862H(HR) stops switching and the output voltage starts to drop, which causes the feedback voltage to rise. Once V_{FB} rises above V_{FB-ZDC} , switching resumes. Burst Mode alternately enables and disables switching, reducing switching loss in standby mode, as shown in Figure 24.

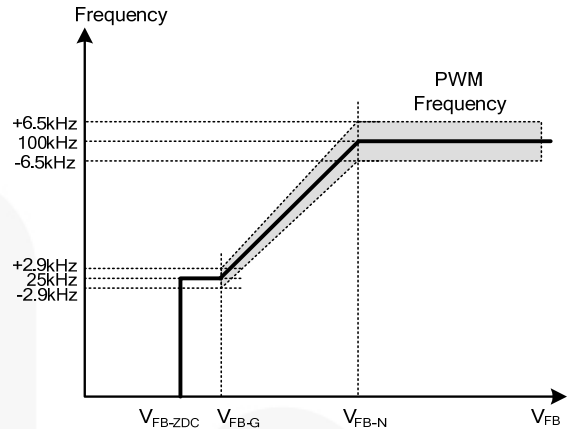


Figure 23. PWM Frequency

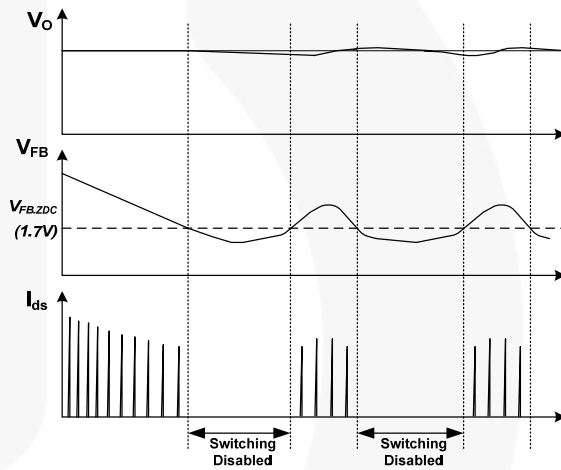


Figure 24. Burst-Mode Operation

Frequency Hopping

EMI reduction is accomplished by frequency hopping, which spreads the energy over a wider frequency range than the bandwidth measured by the EMI test equipment. An internal frequency hopping circuit changes the switching frequency between 93.5kHz and 106.5kHz with a period of 4.4ms, as shown in Figure 25.

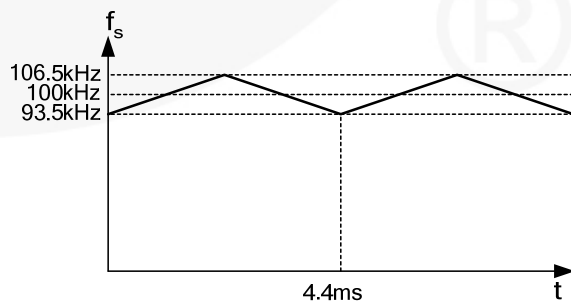


Figure 25. Frequency Hopping

Protections

Self-protective functions include V_{DD} Over-Voltage Protection (OVP), Open-Loop / Overload Protection (OLP), Over-Current Protection (OCP), Short-Circuit Protection (SCP), and Over-Temperature Protection (OTP). OLP, OCP, and SCP are Auto-Restart Mode protections; OVP and OTP are Latch-Mode protections. In FAN6862HR, all of these protections are applied with Auto-Restart Mode.

Auto-Restart Mode Protections

Once a fault condition is detected, switching is terminated and the MOSFET remains off. This causes V_{DD} to fall because no more power is delivered from the auxiliary winding. When V_{DD} falls to V_{DD-OFF} (8.5V), the protection is reset and the operating current reduces to startup current, which causes V_{DD} to rise. FAN6862H(HR) resumes normal operation when V_{DD} reaches V_{DD-ON} (16V). In this manner, the auto-restart can alternately enable and disable MOSFET switching until the fault condition is eliminated (see Figure 26).

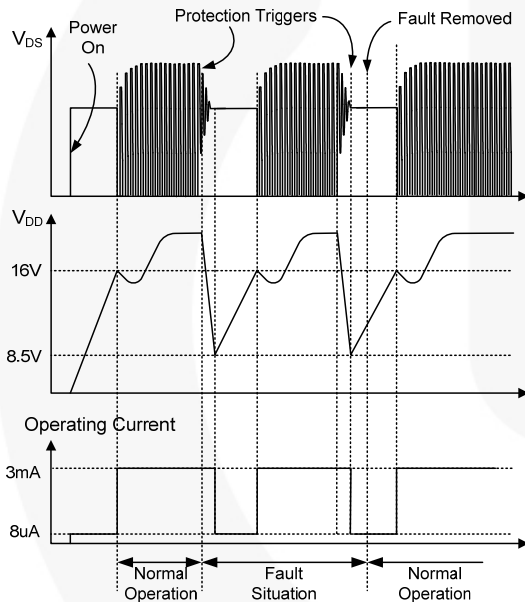


Figure 26. Auto-Restart Operation

Latch-Mode Protections

Once this protection is triggered, switching is terminated and the MOSFET remains off. The latch is reset only when V_{DD} is discharged below 4V by unplugging the AC power line.

Over-Current Protection (OCP)

FAN6862H(HR) has two over-current protection thresholds. One is for pulse-by-pulse current limit, which turns off MOSFET for the remainder of the switching

cycle when the sensing voltage of MOSFET drain current reaches the threshold. The other threshold is for the over-current protection, which shuts down the MOSFET gate when the sensing voltage of MOSFET drain current is above the threshold longer than the shutdown delay (56ms).

Open-Loop / Overload Protection (OLP)

When the upper branch of the voltage divider for the shunt regulator (KA431 shown in Figure 27) is broken, no current flows through the opto-coupler transistor, which pulls up the feedback voltage to 5.2V.

When feedback voltage is above 4.6V for longer than 56ms, OLP is triggered. This protection is also triggered when the SMPS output drops below the nominal value for longer than 56ms due to the overload condition.

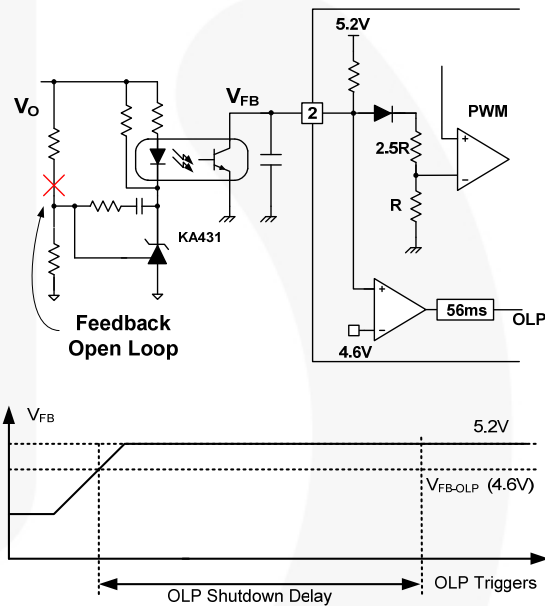


Figure 27. OLP Operation

V_{DD} Over-Voltage Protection (OVP)

V_{DD} over-voltage protection prevents IC damage caused by over voltage on the VDD pin. The OVP is triggered when V_{DD} reaches 25V. A debounce time (typically 30 μ s) prevents false triggering by switching noise.

Over-Temperature Protection (OTP)

The OTP circuit is composed of current source and voltage comparators. Typically, an NTC thermistor is connected between the RT and GND pins. If the voltage of this pin drops below a threshold of 1.0V, PWM output is disabled after t_{DOTP} debounce time. If this pin drops below 0.7V, it triggers the latch-off protection immediately after t_{DOTP2} debounce time.

Typical Application Circuit (Netbook Adapter by Flyback)

Application	Fairchild Devices	Input Voltage Range	Output
Netbook Adapter	FAN6862H(HR)	90~265V _{AC}	19V / 2.1A (40W)

Features

- High efficiency (>85.3% at full-load condition), meeting EPS regulation with enough margin
- Low standby (pin<0.15W at no-load condition)
- Soft-start time: 5ms

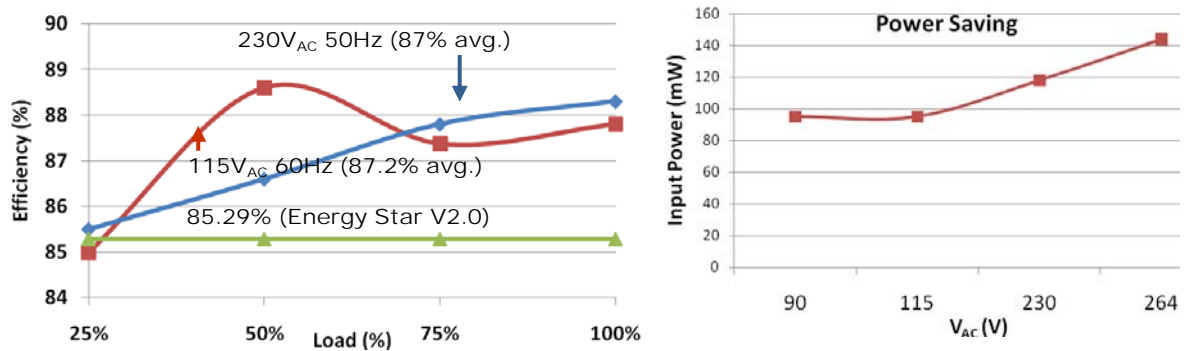


Figure 28. Measured Efficiency and Power Saving

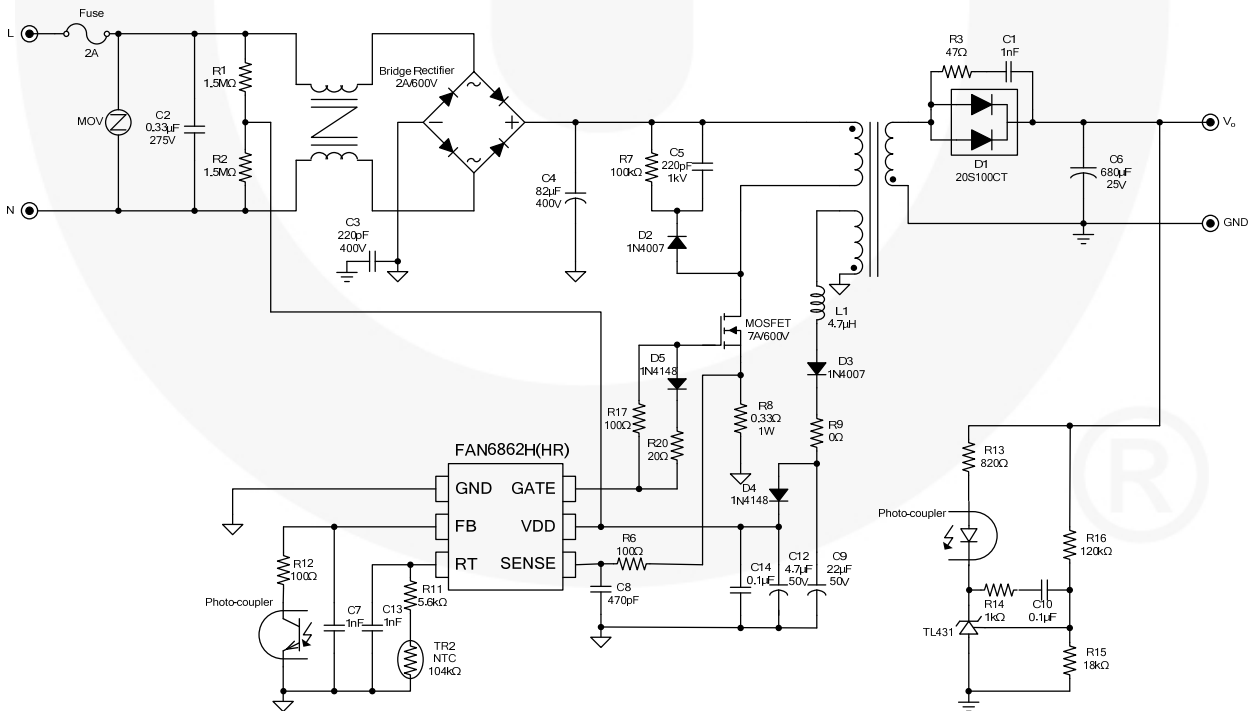


Figure 29. Schematic of Typical Application Circuit

Transformer Specification

- Core: RM 8
- Bobbin: RM 8

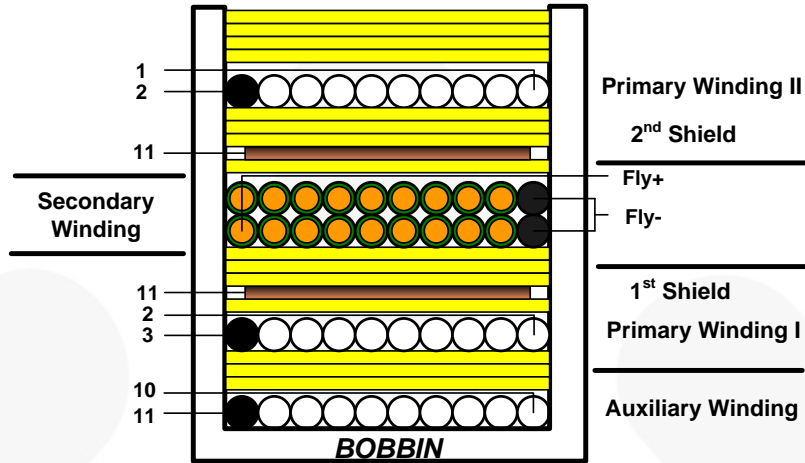


Figure 30. Transformer

NO	Terminal		Wire	Ts	Insulation	Barrier	
	S	F			Ts	Primary	Secondary
N1	11	10	0.37 • 1	7	3		
N2	3	2	0.37 • 1	22	1		
	11		COPPER SHIELD	1.2	3		
N3	Fly-	Fly+	0.75 • 2	8	1		
	11		COPPER SHIELD	1.2	3		
N4	2	1	0.37 • 1	22	4		
			CORE ROUNDING TAPE		3		

	Pin	Specification	Remark
Primary-Side Inductance	3–1	610µH ±5%	100kHz, 1V
Primary-Side Effective Leakage	3–1	15µH Maximum	Short One of the Secondary Windings

Physical Dimensions

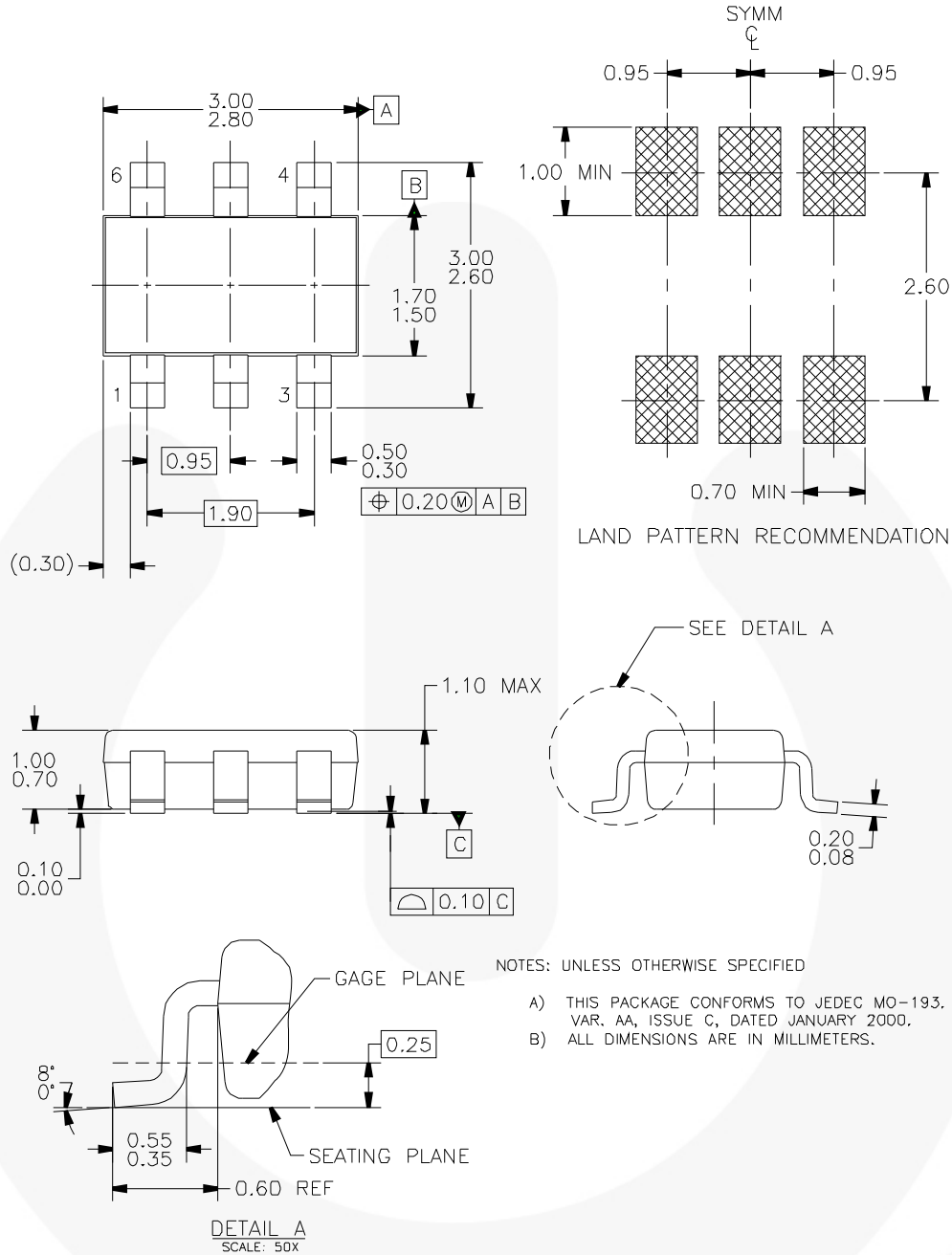


Figure 31. 6-Pin, SuperSOT™6, JEDEC MO-193, 1.6mm Wide

Package drawings are provided as a service to customers considering Fairchild components. Drawings may change in any manner without notice. Please note the revision and/or date on the drawing and contact a Fairchild Semiconductor representative to verify or obtain the most recent revision. Package specifications do not expand the terms of Fairchild's worldwide terms and conditions, specifically the warranty therein, which covers Fairchild products.

Always visit Fairchild Semiconductor's online packaging area for the most recent package drawings:
<http://www.fairchildsemi.com/packaging/>



TRADEMARKS

The following includes registered and unregistered trademarks and service marks, owned by Fairchild Semiconductor and/or its global subsidiaries, and is not intended to be an exhaustive list of all such trademarks.

- | | | | |
|--|--|--|---|
| 2Cool™ | F-PFS™ | PowerTrench® | The Power Franchise® |
| AccuPower™ | FRFET® | PowerXS™ | the power franchise |
| AX-CAP™* | Global Power Resource™ | Programmable Active Droop™ | TinyBoost™ |
| BitSiC™ | GreenBridge™ | QFET® | TinyBuck™ |
| Build it Now™ | Green FPS™ | QS™ | TinyCalc™ |
| CorePLUS™ | Green FPS™ e-Series™ | Quiet Series™ | TinyLogic® |
| CorePOWER™ | Gmax™ | RapidConfigure™ | TINYOPTO™ |
| CROSSVOLT™ | GTO™ |  ™ | TinyPower™ |
| CTL™ | IntelliMAX™ | Saving our world, 1mW/W/kW at a time™ | TinyPWM™ |
| Current Transfer Logic™ | ISOPLANAR™ | SignalWise™ | TinyWire™ |
| DEUXPEED® | Making Small Speakers Sound Louder and Better™ | SmartMax™ | Tran SiC™ |
| Dual Cool™ | MegaBuck™ | SMART START™ | TriFault Detect™ |
| EcoSPARK® | MICROCOUPLER™ | Solutions for Your Success™ | TRUECURRENT®* |
| EfficientMax™ | MicroFET™ | SPM® | µSerDes™ |
| ESBC™ | MicroPak™ | STEALTH™ |  SerDes™ |
|  Fairchild® | MicroPak2™ | SuperFET® | UHC® |
| Fairchild Semiconductor® | MillerDrive™ | SuperSOT™-3 | Ultra FRFET™ |
| FACT Quiet Series™ | MotionMax™ | SuperSOT™-6 | UniFET™ |
| FACT® | Motion-SPM™ | SuperSOT™-8 | VCX™ |
| FAST® | mWSaver™ | SupreMOS® | VisualMax™ |
| FastvCore™ | OptoHiT™ | SyncFET™ | VoltagePlus™ |
| FETBench™ | OPTOLOGIC® | Sync-Lock™ | XS™ |
| FlashWriter®* | OPTOPLANAR® |  SYSTEM GENERAL®* | |
| FPS™ | | | |

* Trademarks of System General Corporation, used under license by Fairchild Semiconductor.

DISCLAIMER

FAIRCHILD SEMICONDUCTOR RESERVES THE RIGHT TO MAKE CHANGES WITHOUT FURTHER NOTICE TO ANY PRODUCTS HEREIN TO IMPROVE RELIABILITY, FUNCTION, OR DESIGN. FAIRCHILD DOES NOT ASSUME ANY LIABILITY ARISING OUT OF THE APPLICATION OR USE OF ANY PRODUCT OR CIRCUIT DESCRIBED HEREIN; NEITHER DOES IT CONVEY ANY LICENSE UNDER ITS PATENT RIGHTS, NOR THE RIGHTS OF OTHERS. THESE SPECIFICATIONS DO NOT EXPAND THE TERMS OF FAIRCHILD'S WORLDWIDE TERMS AND CONDITIONS, SPECIFICALLY THE WARRANTY THEREIN, WHICH COVERS THESE PRODUCTS.

LIFE SUPPORT POLICY

FAIRCHILD'S PRODUCTS ARE NOT AUTHORIZED FOR USE AS CRITICAL COMPONENTS IN LIFE SUPPORT DEVICES OR SYSTEMS WITHOUT THE EXPRESS WRITTEN APPROVAL OF FAIRCHILD SEMICONDUCTOR CORPORATION.

As used herein:

1. Life support devices or systems are devices or systems which, (a) are intended for surgical implant into the body or (b) support or sustain life, and (c) whose failure to perform when properly used in accordance with instructions for use provided in the labeling, can be reasonably expected to result in a significant injury of the user.
2. A critical component in any component of a life support, device, or system whose failure to perform can be reasonably expected to cause the failure of the life support device or system, or to affect its safety or effectiveness.

ANTI-COUNTERFEITING POLICY

Fairchild Semiconductor Corporation's Anti-Counterfeiting Policy. Fairchild's Anti-Counterfeiting Policy is also stated on our external website, www.fairchildsemi.com, under Sales Support.

Counterfeiting of semiconductor parts is a growing problem in the industry. All manufacturers of semiconductor products are experiencing counterfeiting of their parts. Customers who inadvertently purchase counterfeit parts experience many problems such as loss of brand reputation, substandard performance, failed applications, and increased cost of production and manufacturing delays. Fairchild is taking strong measures to protect ourselves and our customers from the proliferation of counterfeit parts. Fairchild strongly encourages customers to purchase Fairchild parts either directly from Fairchild or from Authorized Fairchild Distributors who are listed by country on our web page cited above. Products customers buy either from Fairchild directly or from Authorized Fairchild Distributors are genuine parts, have full traceability, meet Fairchild's quality standards for handling and storage and provide access to Fairchild's full range of up-to-date technical and product information. Fairchild and our Authorized Distributors will stand behind all warranties and will appropriately address any warranty issues that may arise. Fairchild will not provide any warranty coverage or other assistance for parts bought from Unauthorized Sources. Fairchild is committed to combat this global problem and encourage our customers to do their part in stopping this practice by buying direct or from authorized distributors.

PRODUCT STATUS DEFINITIONS

Definition of Terms

Datasheet Identification	Product Status	Definition
Advance Information	Formative / In Design	Datasheet contains the design specifications for product development. Specifications may change in any manner without notice.
Preliminary	First Production	Datasheet contains preliminary data; supplementary data will be published at a later date. Fairchild Semiconductor reserves the right to make changes at any time without notice to improve design.
No Identification Needed	Full Production	Datasheet contains final specifications. Fairchild Semiconductor reserves the right to make changes at any time without notice to improve the design.
Obsolete	Not In Production	Datasheet contains specifications on a product that is discontinued by Fairchild Semiconductor. The datasheet is for reference information only.

Rev. I61