

GaAs PIN MMIC VOLTAGE-VARIABLE ATTENUATOR, 17 - 27 GHz

Typical Applications

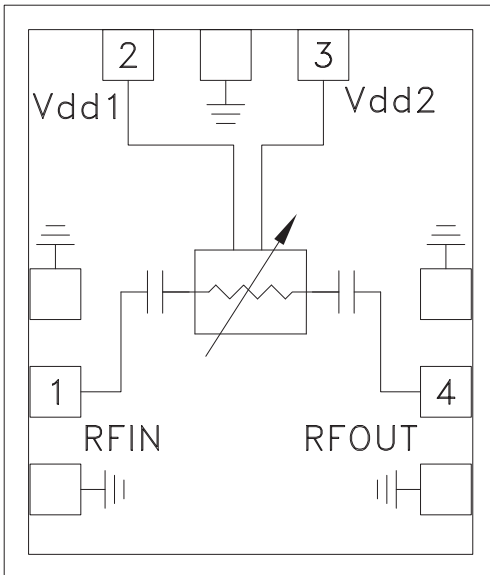
This HMC-VVD102 is ideal for:

- Point-to-Point Radios
- Point-to-Multi-Point Radios
- Military Radios, Radar & ECM
- Test Equipment & Sensors
- Space

Features

- Low Insertion Loss: 1.5 dB
- Wide Dynamic Range: 18 dB
- High Input IP3: +17 dBm
- Analog Control Voltage: -4 to +4V
- Die Size: 1.01 x 1.175 x 0.1 mm

Functional Diagram



General Description

The HMC-VVD102 is a monolithic GaAs PIN diode based Voltage Variable Attenuator (VVA) which exhibits low insertion loss, high IP3 and wide dynamic range. All bond pads and the die backside are Ti/Au metallized and the PIN diode devices are fully passivated for reliable operation. This wideband MMIC VVA is compatible with conventional die attach methods, as well as thermocompression and thermosonic wirebonding, making it ideal for MCM and hybrid microcircuit applications. All data shown herein is measured with the chip in a 50 Ohm environment and contacted with RF probes

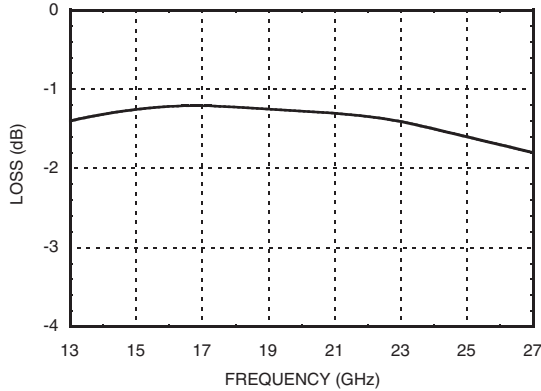
Electrical Specifications*, $T_A = +25\text{ }^\circ\text{C}$, 50 Ohm System

Parameter	Min.	Typ.	Max.	Units
Frequency Range	17 - 27			GHz
Insertion Loss		1.5	2	dB
Attenuation Range		18		dB
Return Loss (Min. Attenuation)		12		dB
Return Loss (Max. Attenuation)		15		dB
Input IP3		17		dBm
IM3 @ Pin = 0 dBm / Tone	30			dBc

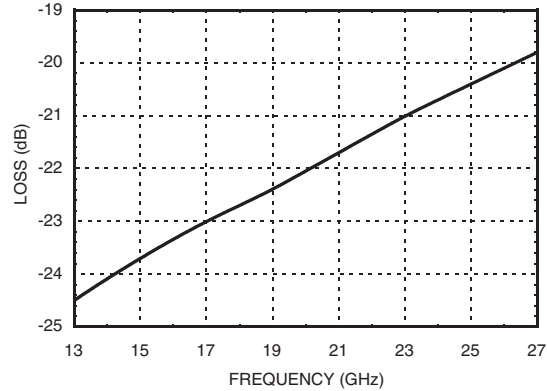
*Unless otherwise indicated, all measurements are from probed die

**GaAs PIN MMIC VOLTAGE-VARIABLE
ATTENUATOR, 17 - 27 GHz**

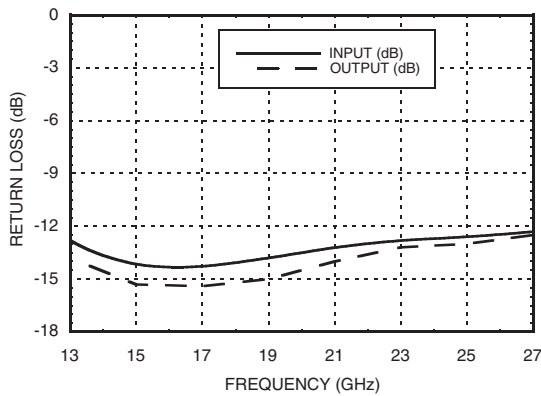
Minimum Attenuation vs. Frequency



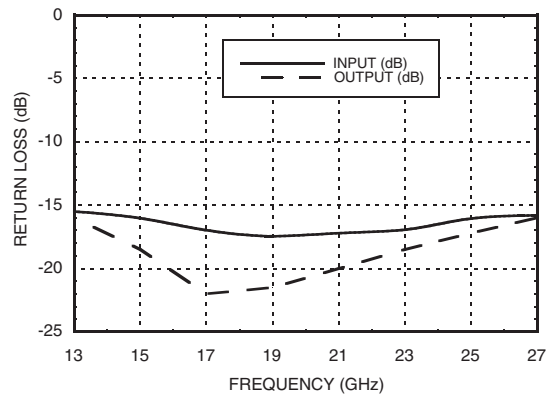
Maximum Attenuation vs. Frequency



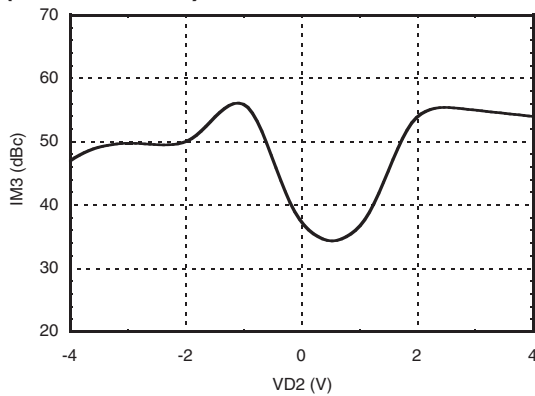
**Input & Output Return Loss vs.
Frequency @ Minimum Attenuation**



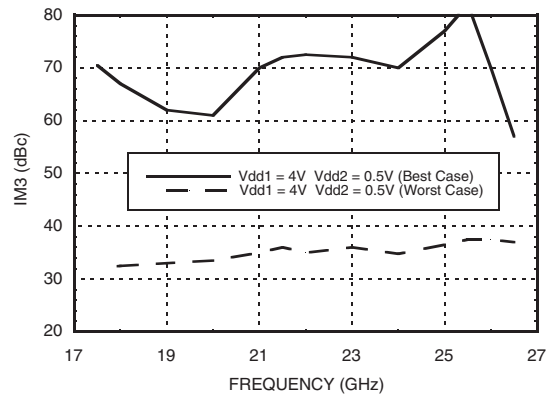
**Input & Output Return Loss vs.
Frequency @ Maximum Attenuation**



**IM3 vs. Vdd2 (Vdd1= 4V) @ 17.5 GHz
(0 dBm Tones)**



IM3 vs. Frequency (0 dBm Tones)



Note: Measured Performance Characteristics (Typical Performance at 25°C) Two-Tone measurement @ 0 dBm / tone

For price, delivery, and to place orders, please contact Hittite Microwave Corporation:
20 Alpha Road, Chelmsford, MA 01824 Phone: 978-250-3343 Fax: 978-250-3373

www.BDTIC.com/Hittite/

GaAs PIN MMIC VOLTAGE-VARIABLE ATTENUATOR, 17 - 27 GHz

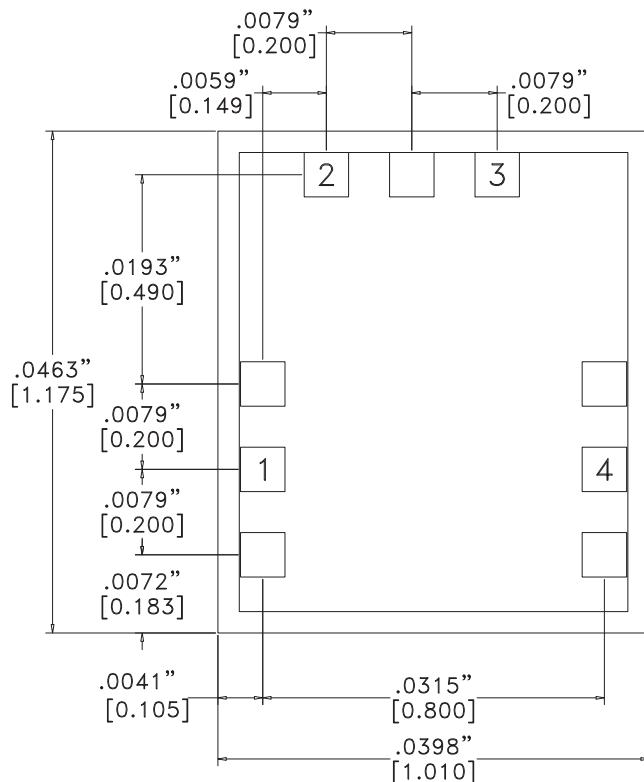
Absolute Maximum Ratings

Control Voltage Range (Vdd)	-6 to +6 Vdc
Storage Temperature	-65 to +150 °C
Operating Temperature	-55 to +85 °C
Total Bias Current (Idd)	20 mA



ELECTROSTATIC SENSITIVE DEVICE
OBSERVE HANDLING PRECAUTIONS

Outline Drawing



NOTES:

1. ALL DIMENSIONS ARE IN INCHES [MM].
2. TYPICAL BOND PAD IS .004" SQUARE.
3. BACKSIDE METALLIZATION: GOLD.
4. BACKSIDE METAL IS GROUND.
5. BOND PAD METALLIZATION: GOLD.
6. CONNECTION NOT REQUIRED FOR UNLABELED BOND PADS.
7. OVERALL DIE SIZE ±.002"

Die Packaging Information ^[1]

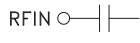
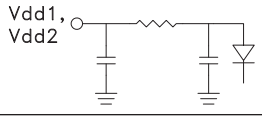
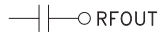

Standard	Alternate
GP-2 (Gel Pack)	[2]

[1] Refer to the "Packaging Information" section for die packaging dimensions.

[2] For alternate packaging information contact Hittite Microwave Corporation.

GaAs PIN MMIC VOLTAGE-VARIABLE ATTENUATOR, 17 - 27 GHz

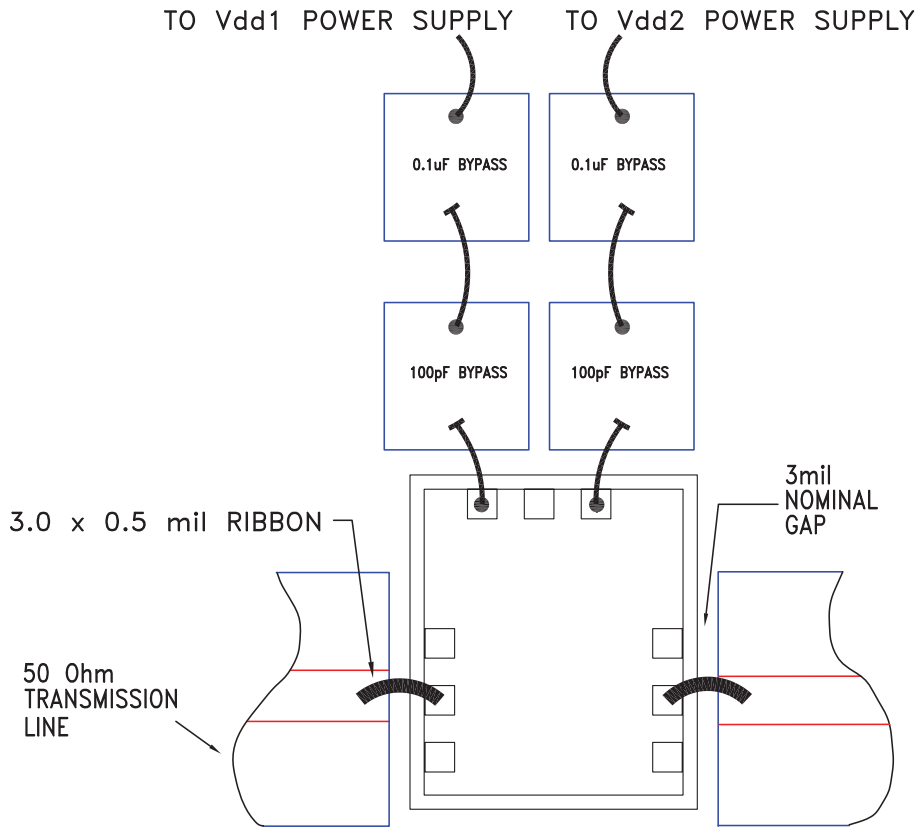
Pad Descriptions

Pad Number	Function	Description	Interface Schematic
1	RFIN	This pad is DC blocked and matched to 50 Ohms.	
2, 3	Vdd1, Vdd2	Control Input	
4	RFOUT	This pad is DC blocked and matched to 50 Ohms.	
Die Bottom	GND	Die bottom must be connected to RF/DC ground.	

**GaAs PIN MMIC VOLTAGE-VARIABLE
ATTENUATOR, 17 - 27 GHz**

1

Assembly Diagram



Note 1: Bypass caps should be 100 pF (approximately) ceramic (single-layer) placed no farther than 30 mils from the attenuator.

Note 2: Best performance obtained from use of <10 mil (long) by 3 by 0.5mil ribbons on input and output.

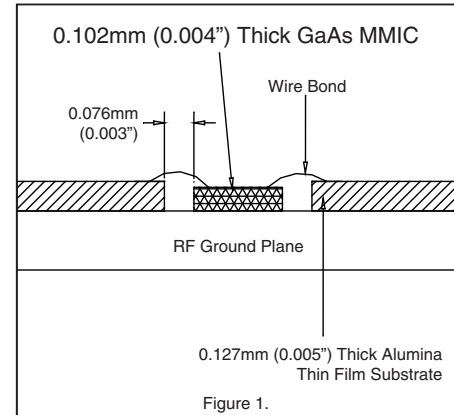
**GaAs PIN MMIC VOLTAGE-VARIABLE
ATTENUATOR, 17 - 27 GHz**

Mounting & Bonding Techniques for Millimeterwave GaAs MMICs

The die should be attached directly to the ground plane eutectically or with conductive epoxy (see HMC general Handling, Mounting, Bonding Note).

50 Ohm Microstrip transmission lines on 0.127mm (5 mil) thick alumina thin film substrates are recommended for bringing RF to and from the chip (Figure 1). If 0.254mm (10 mil) thick alumina thin film substrates must be used, the die should be raised 0.150mm (6 mils) so that the surface of the die is coplanar with the surface of the substrate. One way to accomplish this is to attach the 0.102mm (4 mil) thick die to a 0.150mm (6 mil) thick molybdenum heat spreader (moly-tab) which is then attached to the ground plane (Figure 2).

Microstrip substrates should be placed as close to the die as possible in order to minimize bond wire length. Typical die-to-substrate spacing is 0.076mm to 0.152 mm (3 to 6 mils).



Handling Precautions

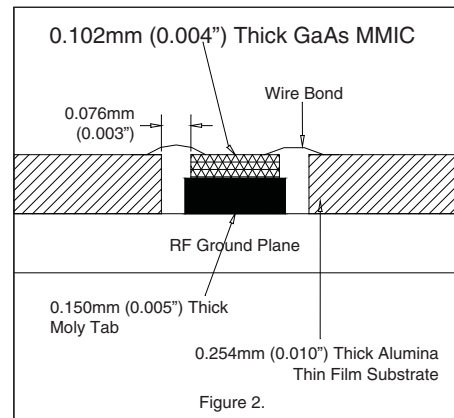
Follow these precautions to avoid permanent damage.

Storage: All bare die are placed in either Waffle or Gel based ESD protective containers, and then sealed in an ESD protective bag for shipment. Once the sealed ESD protective bag has been opened, all die should be stored in a dry nitrogen environment.

Cleanliness: Handle the chips in a clean environment. DO NOT attempt to clean the chip using liquid cleaning systems.

Static Sensitivity: Follow ESD precautions to protect against ESD strikes.

Transients: Suppress instrument and bias supply transients while bias is applied. Use shielded signal and bias cables to minimize inductive pick-up.



General Handling: Handle the chip along the edges with a vacuum collet or with a sharp pair of bent tweezers. The surface of the chip has fragile air bridges and should not be touched with vacuum collet, tweezers, or fingers.

Mounting

The chip is back-metallized and can be die mounted with AuSn eutectic preforms or with electrically conductive epoxy. The mounting surface should be clean and flat.

Eutectic Die Attach: A 80/20 gold tin preform is recommended with a work surface temperature of 255 °C and a tool temperature of 265 °C. When hot 90/10 nitrogen/hydrogen gas is applied, tool tip temperature should be 290 °C. DO NOT expose the chip to a temperature greater than 320 °C for more than 20 seconds. No more than 3 seconds of scrubbing should be required for attachment.

Epoxy Die Attach: Apply a minimum amount of epoxy to the mounting surface so that a thin epoxy fillet is observed around the perimeter of the chip once it is placed into position. Cure epoxy per the manufacturer's schedule.

Wire Bonding

RF bonds made with 0.003" x 0.0005" ribbon are recommended. These bonds should be thermosonically bonded with a force of 40-60 grams. DC bonds of 0.001" (0.025 mm) diameter, thermosonically bonded, are recommended. Ball bonds should be made with a force of 40-50 grams and wedge bonds at 18-22 grams. All bonds should be made with a nominal stage temperature of 150 °C. A minimum amount of ultrasonic energy should be applied to achieve reliable bonds. All bonds should be as short as possible, less than 12 mils (0.31 mm).