

### Features

- Low Distortion
- Low Noise Figure
- Lead-Free 4 mm 20-Lead PQFN Package
- Halogen-Free “Green” Mold Compound
- 260°C Reflow Compatible

### Description

The MAAM-010239 is a GaAs pHEMT MMIC amplifier in a lead-free 4mm 20-lead PQFN package. The amplifier is designed to meet the high gain, high linearity and low noise requirements of FTTx receivers.

### Ordering Information <sup>1,2</sup>

Part Number	Package
MAAM-010239-TR1000	1000 piece reel
MAAM-010239-TR3000	3000 piece reel
MAAM-010239-001SMB	Sample Test Board

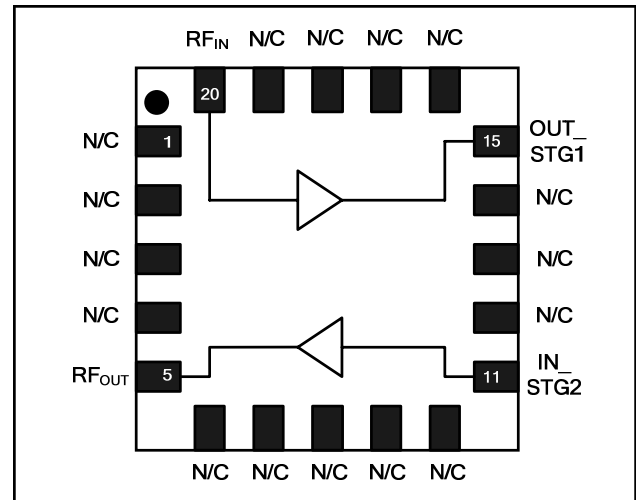
1. Reference Application Note M513 for reel size information.
2. All sample boards include 5 loose parts.

### Absolute Maximum Ratings <sup>3,4,5</sup>

Parameter	Absolute Maximum
Max Input Power	-5 dBm
Operating Voltage	+10.0 V
Operating Temperature	-20°C to +85°C
Junction Temperature <sup>6</sup>	+150°C
Storage Temperature	-65°C to +150°C

3. Exceeding any one or combination of these limits may cause permanent damage to this device.
4. M/A-COM Technology Solutions does not recommend sustained operation near these survivability limits.
5. These operating conditions will ensure MTTF > 1 x 10<sup>6</sup> hours.
6. Junction Temperature (T<sub>J</sub>) = T<sub>A</sub> + Θ<sub>Jc</sub> \* (V \* I)  
Typical thermal resistance (Θ<sub>Jc</sub>) = 51 °C/W.
  - a) For T<sub>A</sub> = 25°C,  
T<sub>J</sub> = 80 °C @ 5.0 V, 215 mA
  - b) For T<sub>A</sub> = 85°C,  
T<sub>J</sub> = 140 °C @ 5.0 V, 215 mA

### Functional Schematic



### Pin Configuration

Pin No.	Pin Name	Description
1	N/C	No Connection
2	N/C	No Connection
3	N/C	No Connection
4	N/C	No Connection
5	RF_OUT	RF Output
6	N/C	No Connection
7	N/C	No Connection
8	N/C	No Connection
9	N/C	No Connection
10	N/C	No Connection
11	IN_STG2	STAGE 2 RF Input
12	N/C	No Connection
13	N/C	No Connection
14	N/C	No Connection
15	OUT_STG1	STAGE 1 RF Output
16	N/C	No Connection
17	N/C	No Connection
18	N/C	No Connection
19	N/C	No Connection
20	RF_IN	RF Input
21	Paddle <sup>7</sup>	RF and DC Ground

7. The exposed pad centered on the package bottom must be connected to RF and DC ground.

\* Restrictions on Hazardous Substances, European Union Directive 2002/95/EC.

**ADVANCED:** Data Sheets contain information regarding a product M/A-COM Technology Solutions is considering for development. Performance is based on target specifications, simulated results, and/or prototype measurements. Commitment to develop is not guaranteed.  
**PRELIMINARY:** Data Sheets contain information regarding a product M/A-COM Technology Solutions has under development. Performance is based on engineering tests. Specifications are typical. Mechanical outline has been fixed. Engineering samples and/or test data may be available. Commitment to produce in volume is not guaranteed.

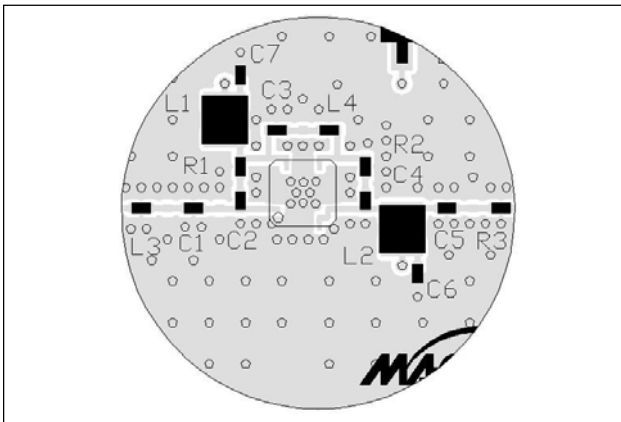
• **North America** Tel: 800.366.2266 • **Europe** Tel: +353.21.244.6400  
 • **India** Tel: +91.80.43537383 • **China** Tel: +86.21.2407.1588  
 Visit [www.macontech.com](http://www.macontech.com) for additional data sheets and product information.

M/A-COM Technology Solutions Inc. and its affiliates reserve the right to make changes to the product(s) or information contained herein without notice.

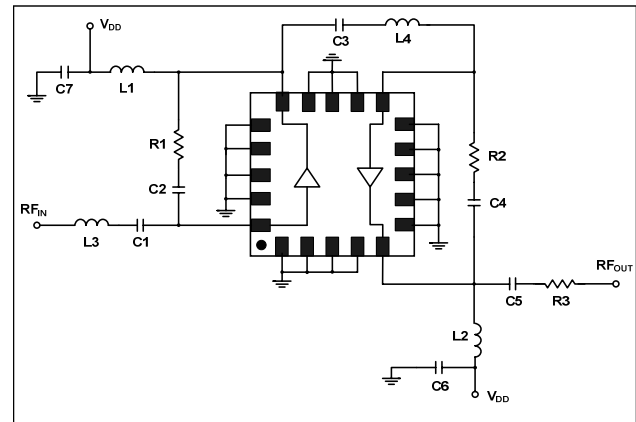
**Electrical Specifications:**  $T_A = 25^\circ\text{C}$ , Freq: 50 - 1000 MHz,  $V_{DD} = +5$  Volts,  $Z_0 = 75 \Omega$

Parameter	Test Conditions	Units	Min.	Typ.	Max.
Gain	RF <sub>IN</sub> to RF <sub>OUT</sub> 51 MHz 1 GHz	dB	29 29.5	30 30.5	31 31.5
Gain Flatness	RF <sub>IN</sub> to RF <sub>OUT</sub>	dB	-	0.5	1
Noise Figure	RF <sub>IN</sub> to RF <sub>OUT</sub>	dB	-	3.5	4.5
Input Return Loss	RF <sub>IN</sub>	dB	-	15	-
Output Return Loss	RF <sub>OUT</sub>	dB	-	15	-
Reverse Isolation	RF <sub>OUT</sub> to RF <sub>IN</sub>	dB	-	37	-
P1dB	400 MHz	dBm	-	20	-
Output IP2	Two tones, 400 MHz, +5 dBm output per tone	dBm	-	62	-
Output IP3	Two tones, 400 MHz, +5 dBm output per tone	dBm	-	35	-
Composite Triple Beat, CTB	132 Channels, +30 dBmV/Channel at the Output	dBc	-60	-65	-
Composite Second Order, CSO	132 Channels, +30 dBmV/Channel at the Output	dBc	-55	-60	-
Cross modulation	132 Channels, +30 dBmV/Channel at the Output	dBc	-	-65	-
I <sub>DD</sub>	V <sub>DD</sub> = +5 Volts	mA	-	215	250

## Recommended PCB Layout



## Test Circuit Schematic



## Off-Chip Component Values

Component	Value	Package
C1-C7	0.01 $\mu\text{F}$	0402
L1, L2 <sup>8</sup>	1.0 $\mu\text{H}$	1210
L3	6.8 nH	0402
L4	1.8 nH	0402
R1	470 $\Omega$	0402
R2	430 $\Omega$	0402
R3	0 $\Omega$	0402

8. L1 and L2 supplied from EPCOS, part number B82422A1102K100.

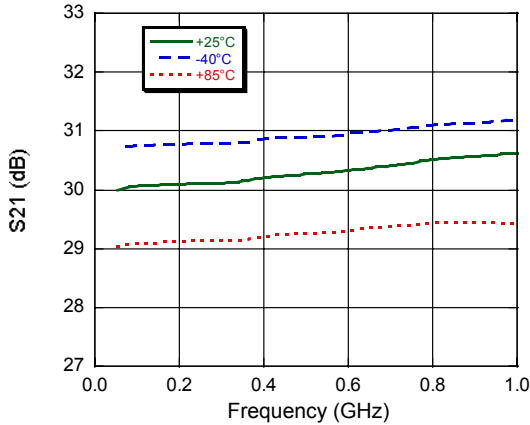
**ADVANCED:** Data Sheets contain information regarding a product M/A-COM Technology Solutions is considering for development. Performance is based on target specifications, simulated results, and/or prototype measurements. Commitment to develop is not guaranteed.  
**PRELIMINARY:** Data Sheets contain information regarding a product M/A-COM Technology Solutions has under development. Performance is based on engineering tests. Specifications are typical. Mechanical outline has been fixed. Engineering samples and/or test data may be available. Commitment to produce in volume is not guaranteed.

• **North America** Tel: 800.366.2266 • **Europe** Tel: +353.21.244.6400  
 • **India** Tel: +91.80.43537383 • **China** Tel: +86.21.2407.1588  
 Visit [www.macontech.com](http://www.macontech.com) for additional data sheets and product information.

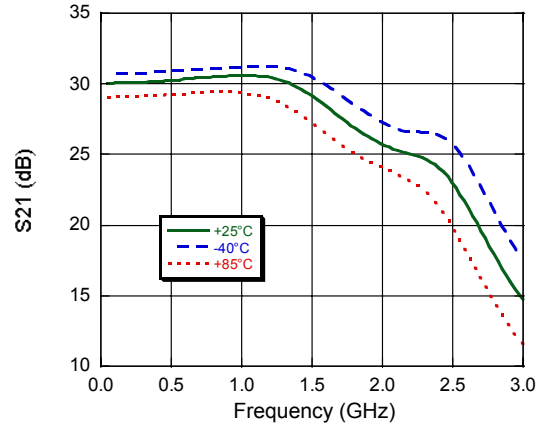
M/A-COM Technology Solutions Inc. and its affiliates reserve the right to make changes to the product(s) or information contained herein without notice.

## Typical Performance Curves:

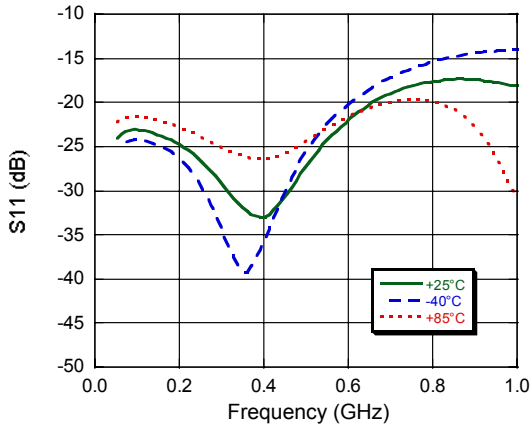
**Gain to 1 GHz over Temperature**



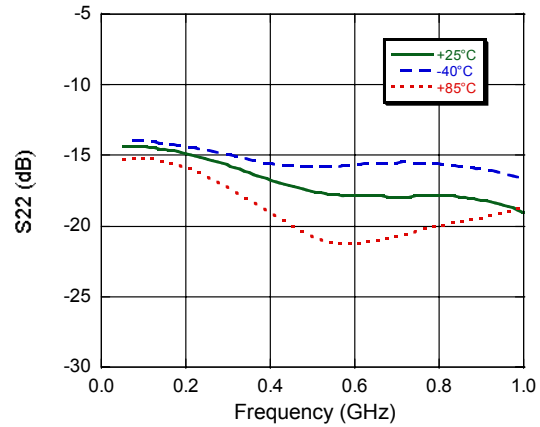
**Gain to 3 GHz over Temperature**



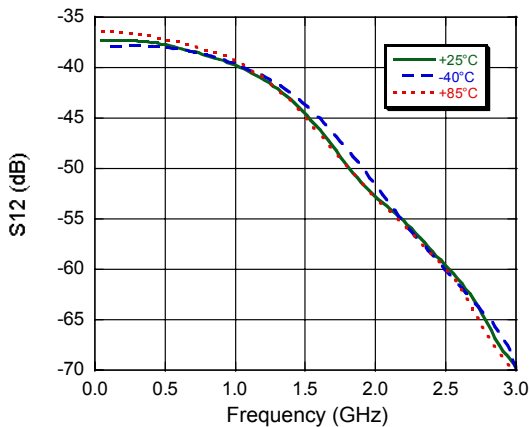
**Input Return Loss over Temperature**



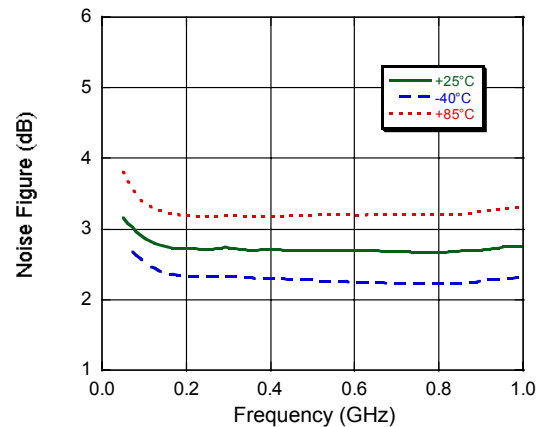
**Output Return Loss over Temperature**



**Reverse Isolation**



**Noise Figure**

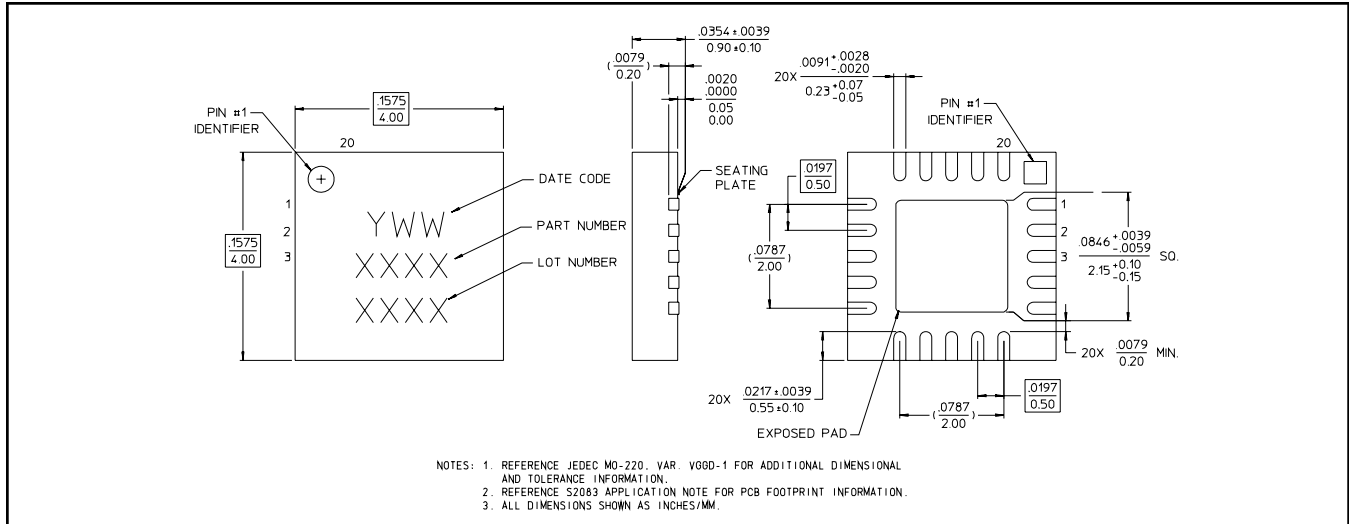


**ADVANCED:** Data Sheets contain information regarding a product M/A-COM Technology Solutions is considering for development. Performance is based on target specifications, simulated results, and/or prototype measurements. Commitment to develop is not guaranteed.  
**PRELIMINARY:** Data Sheets contain information regarding a product M/A-COM Technology Solutions has under development. Performance is based on engineering tests. Specifications are typical. Mechanical outline has been fixed. Engineering samples and/or test data may be available. Commitment to produce in volume is not guaranteed.

• **North America** Tel: 800.366.2266 • **Europe** Tel: +353.21.244.6400  
 • **India** Tel: +91.80.43537383 • **China** Tel: +86.21.2407.1588  
 Visit [www.macontech.com](http://www.macontech.com) for additional data sheets and product information.

M/A-COM Technology Solutions Inc. and its affiliates reserve the right to make changes to the product(s) or information contained herein without notice.

## Lead-Free 4 mm 20-Lead PQFN†



† Reference Application Note S2083 for lead-free solder reflow recommendations.  
Meets JEDEC moisture sensitivity level 1 requirements.  
Plating is 100% matte tin over copper.

### Handling Procedures

Please observe the following precautions to avoid damage:

### Static Sensitivity

Gallium Arsenide Integrated Circuits are sensitive to electrostatic discharge (ESD) and can be damaged by static electricity. Proper ESD control techniques should be used when handling these devices.

An external protection circuit using an inexpensive anti-parallel diode pair can be used to protect the IC. Please reference application note AN3028 on <http://www.macomtech.com> for further detail.