

RF 1:1 Transformer with Tap
50-1200 MHz

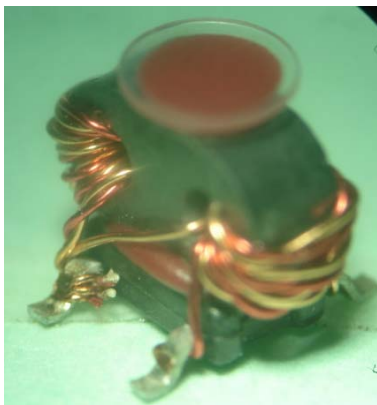
M/A-COM Products

Features

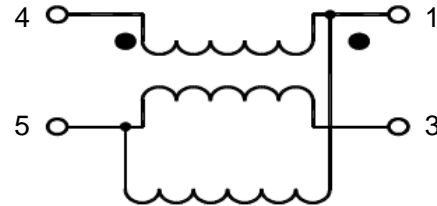
- Surface Mount.
- 1:1 impedance ratio.
- Wires welded to SOT carrier leads.
- Excellent amplitude and phase balance
- Available on Tape and Reel.

Description

M/A-Com’s MABA-008979-CF0290 is a 1:1 RF transmission line transformer with a tap, in a low cost surface mount SOT package. Ideally suited for high volume CATV applications.

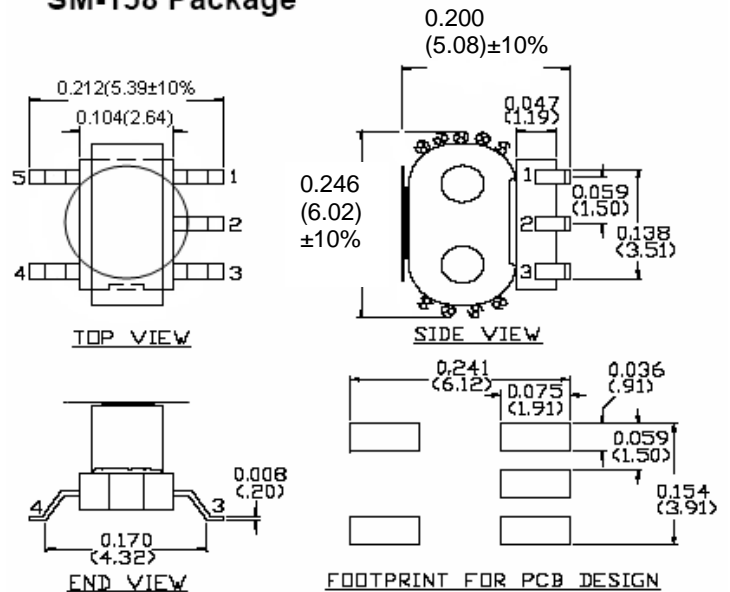


Schematic



Case Style

SM-158 Package



Pin Configuration

Pin No.	Function
1	Output 1: Through (Secondary dot)
2	Ground, not used
3	Output 2: Coupled (Secondary)
4	Input (Primary dot)
5	Ground (Primary)

* Dimensions are inches (millimeters) ±0.015 (0.38) unless otherwise specified.

Ordering Information

Part Number	Package
MABA-008979-CF0290	1500 piece reel

**RF 1:1 Transformer with Tap
50-1200 MHz**

M/A-COM Products

Electrical Specifications @25°C, 0dBm, 75 Ohms

Parameter	Test Conditions	Units	Min	Typ	Max
Frequency Range	50 - 1200 MHz	MHz		-	-
Insertion Loss 1: Pin 4-1 (Through)	50 - 600 MHz	dB	-	0.5	1.0
	600 -1200 MHz	dB	-	0.8	1.5
Insertion Loss 2: Pin 4-3 (Coupled)	50 - 600 MHz	dB	-	0.5	1.0
	600 -1000 MHz	dB	-	1.2	1.5
	1000 -1200 MHz	dB	-	1.5	2.0
Amplitude Imbalance	50 - 600 MHz	dB	-	0.1	0.3
	600 -1200 MHz	dB	-	0.0	1.0
Phase Imbalance	50 - 600 MHz	Degrees	-	1	3
	600 -1000 MHz	Degrees	-	4	10
	1000 -1200 MHz	Degrees	-	11	13

Absolute Maximum Ratings ^{1,2}

Parameter	Absolute Maximum
RF Power	250mW
Current DC	50 mA
Current RMS	10 mA
Current P-P for 1hr	80 mA
Operating Temperature	-40°C to +85°C
Storage Temperature	-40°C to +85°C

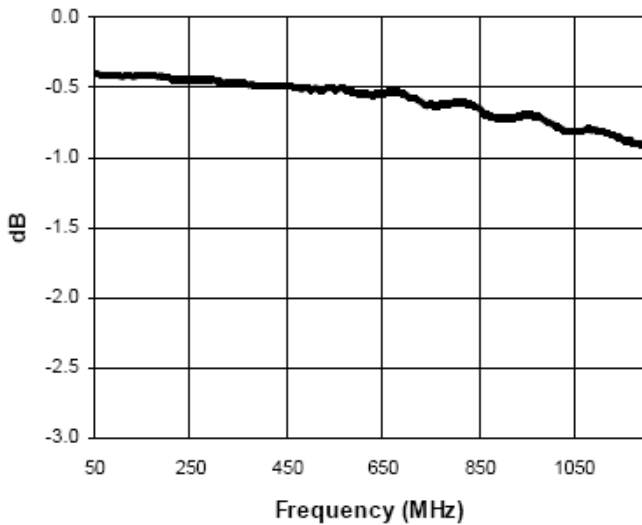
1. Exceeding any one or combination of these limits may cause permanent damage to this device.
2. M/A-COM does not recommend sustained operation near these survivability limits.

RF 1:1 Transformer with Tap
50-1200 MHz

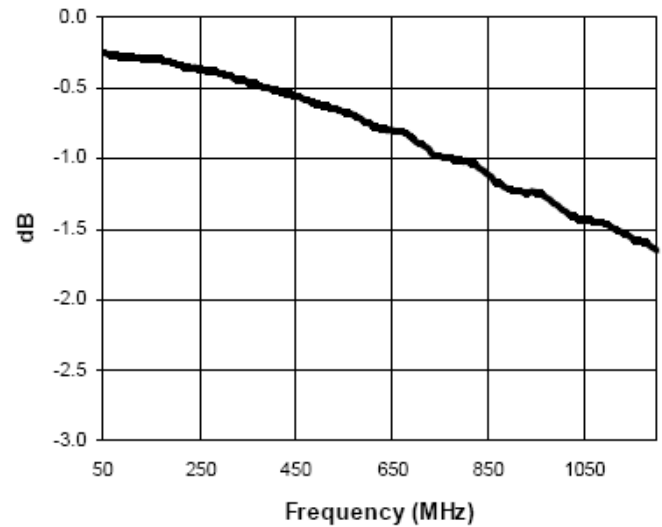
M/A-COM Products

Typical Performance @ +25°C, 75 Ohms

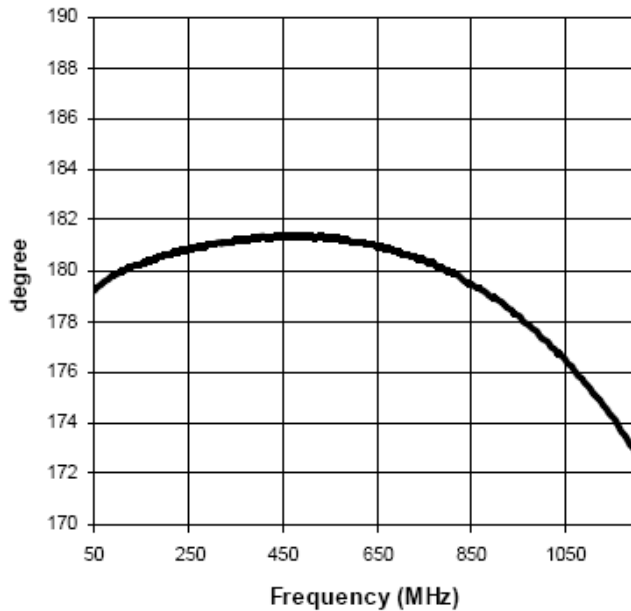
Insertion Loss Pin 4-1



Insertion Loss Pin 4-3



Phase Imbalance



Amplitude Imbalance

