

MABA-009650-CF1160



1:1 Flux Coupled Transformer
5 to 120 MHz

M/A-COM Products
Released, Rev. V1

Features

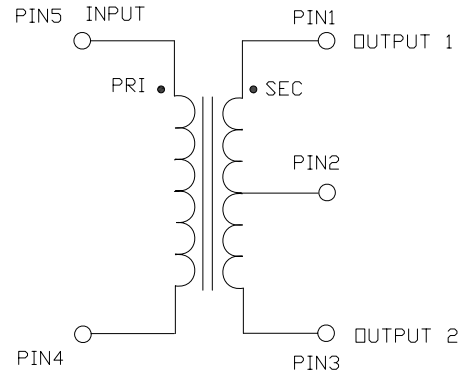
- Surface Mount
- 1:1 Flux Coupled
- 260°C Reflow Compatible
- Excellent temperature stability
- RoHS version of ETC1-1T-8, lead free

Description

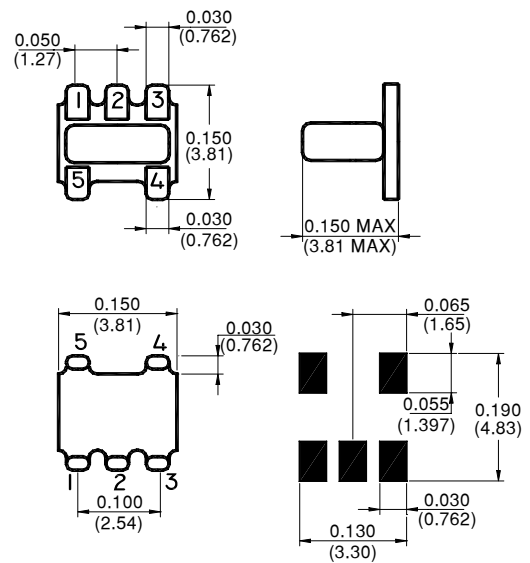
M/A-COM's MABA-009650-CF1160 is a low cost 1:1 Flux Coupled Transformer designed for high volume CATV Broadband applications. Suitable for use in 50 Ohm and 75 Ohm systems



Schematic



Case style: SM-22



Pin configuration

Pin No.	Function
1	Secondary Dot (output 1)
2	Centre Tap
3	Secondary (output 2)
4	Primary (ground)
5	Primary Dot (input)

Dimensions in inches [mm] Tolerance: .xx ± .02, .xxx ± .010, unless otherwise stated

Ordering information

Part number	Description
MABA-009650-CF1160	Reel quantity 2000
MABA-009650-CF11TB	Customer Test Board

Note: Reference Application Note **M513** for reel size information.

* Restrictions on Hazardous Substances, European Union Directive 2002/95/EC.

ADVANCED: Data Sheets contain information regarding a product M/A-COM is considering for development. Performance is based on target specifications, simulated results, and/or prototype measurements. Commitment to develop is not guaranteed.

PRELIMINARY: Data Sheets contain information regarding a product M/A-COM has under development. Performance is based on engineering tests. Specifications are typical. Mechanical outline has been fixed. Engineering samples and/or test data may be available. Commitment to produce in volume is not guaranteed.

- **North America** Tel: 800.366.2266 / Fax: 978.366.2266
- **Europe** Tel: 44.1908.574.200 / Fax: 44.1908.574.300
- **Asia/Pacific** Tel: 81.44.844.8296 / Fax: 81.44.844.8298

Visit www.macom.com for additional data sheets and product information.

M/A-COM Inc. and its affiliates reserve the right to make changes to the product's or information contained herein without notice.

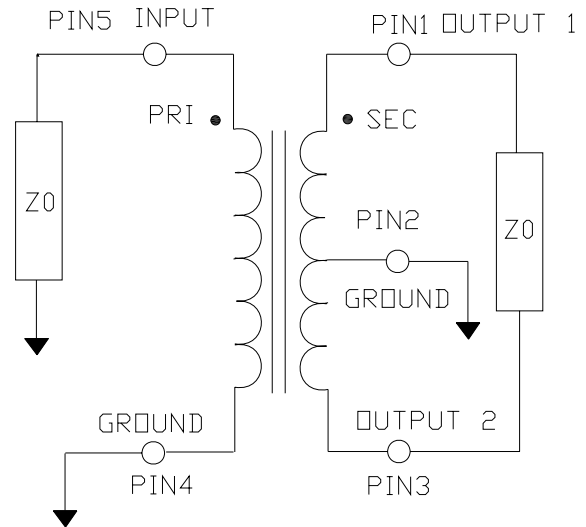
Electrical Specifications: $T_A=25^\circ\text{C}$, $Z_0=75\Omega$

Parameter	Frequency	Units	Min	Typ	Max
Frequency Range:	5 - 120 MHz				
Insertion Loss	5 - 120 MHz	dB	-	0.4	0.6
Amplitude Balance	5 - 120 MHz	dB	-	± 0.1	± 0.3
Phase Balance	5 - 120 MHz	$^\circ$	-	± 0.5	± 2.0
Input Return Loss	5 - 65 MHz	dB	22	28	-
	65 - 120 MHz	dB	17	23	-

Recommended Maximum Ratings

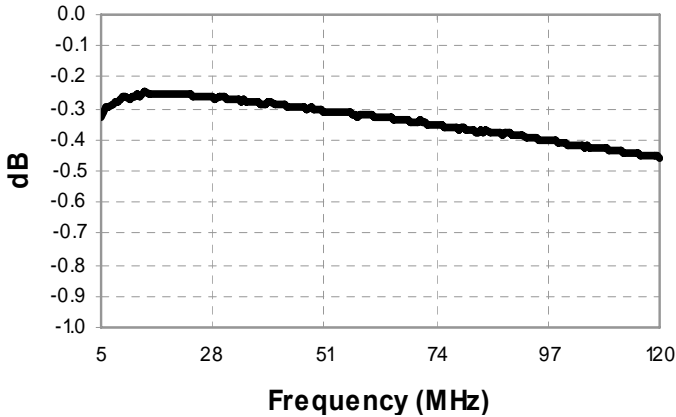
Parameter	Value
RF Power	250 mW
DC current	30mA
Operating Temperature	-40°C to $+85^\circ\text{C}$
Storage Temperature	-40°C to $+85^\circ\text{C}$

Application Circuit

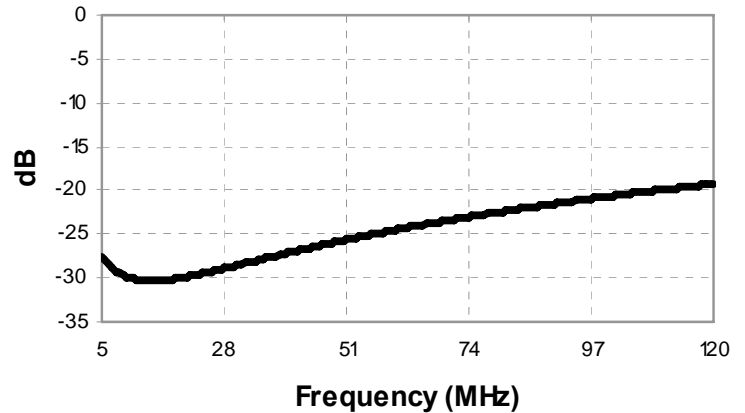


Typical Performance Curves: $T_A=25^\circ\text{C}$, $Z_0=75\Omega$, $P_{in}=0\text{dBm}$

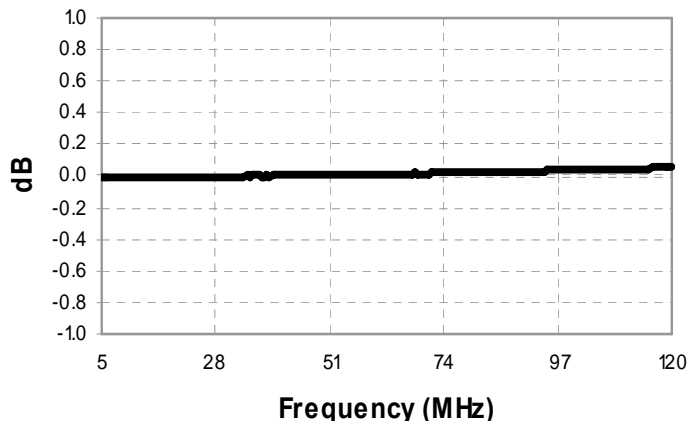
Insertion Loss



Return Loss: Input



Amplitude Balance



Phase Balance

