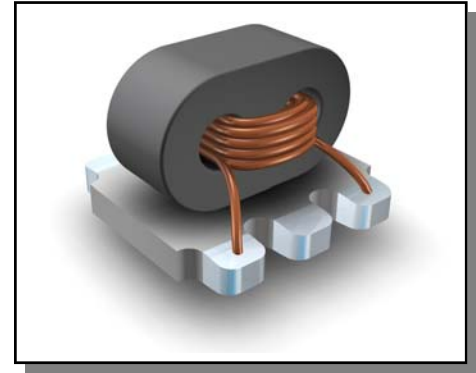


Transformer, 1:1.77  
20 MHz - 1000 MHz

Rev. V1

## Features

- ◆ 1:1.77 impedance ratio
- ◆ Surface mount
- ◆ Available on tape and reel
- ◆ 260°C reflow compatible
- ◆ RoHS Compliant and Pb free
- ◆ Excellent temperature stability
- ◆ Can be used on 50Ω and 75Ω systems
- ◆ Suitable for all CATV, Broadband and FTTx applications.



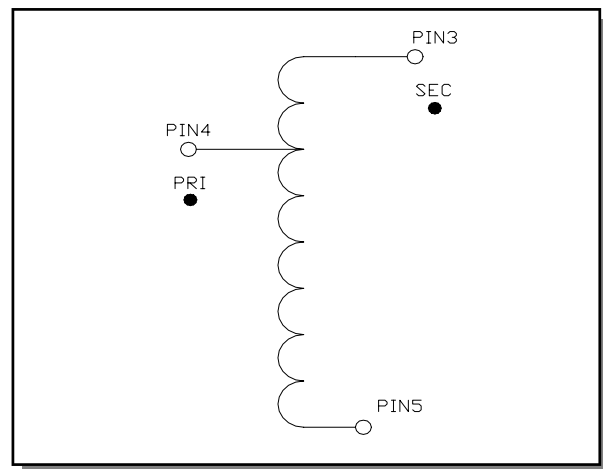
## Electrical Specifications: $Z_0 = 75\Omega$ , $T_A = 25^\circ\text{C}$ , $P_{in} = 0\text{dBm}$

Parameter	Conditions	Units	Min	Typ	Max
Frequency Range		MHz	20		1000
Impedance		$\Omega$		75	
Impedance Ratio				1:1.77	
Insertion Loss (Pin 4 to 3)	20 - 500 MHz	dB	-	0.6	0.8
	500 - 1000 MHz	dB	-	1.1	1.2
Input Return Loss (Pin 4)	20 - 150 MHz	dB	20	22	-
	150 - 500 MHz	dB	12	13	-
	500 - 1000 MHz	dB	8	9	-

## Pin Configuration

Pin No.	Function
1	Not Connected (ground)
2	Not Connected (ground)
3	Secondary Dot
4	Primary Dot
5	Ground

## Schematic



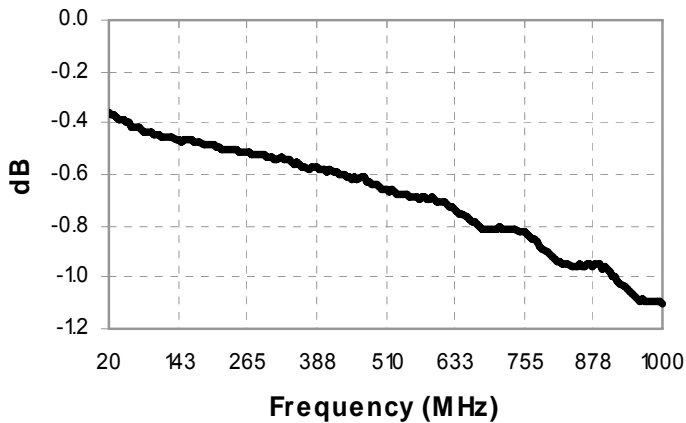
# MABA-010463-CA2A40



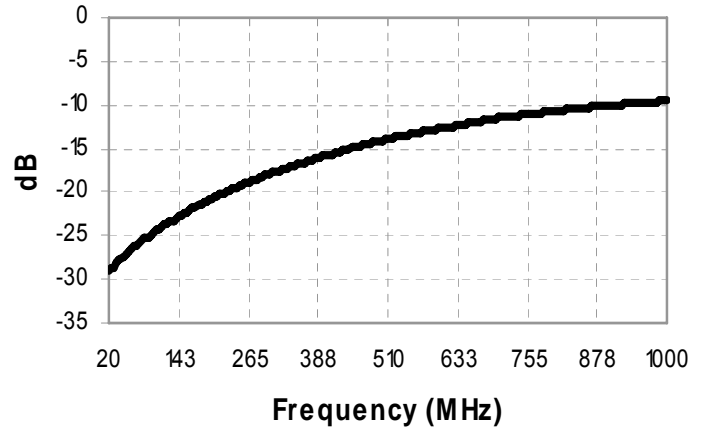
Transformer, 1:1.77  
20 MHz - 1000 MHz

Rev. V1

### Insertion Loss: (Pin 4 to 3)



### Return Loss: (Pin 4)



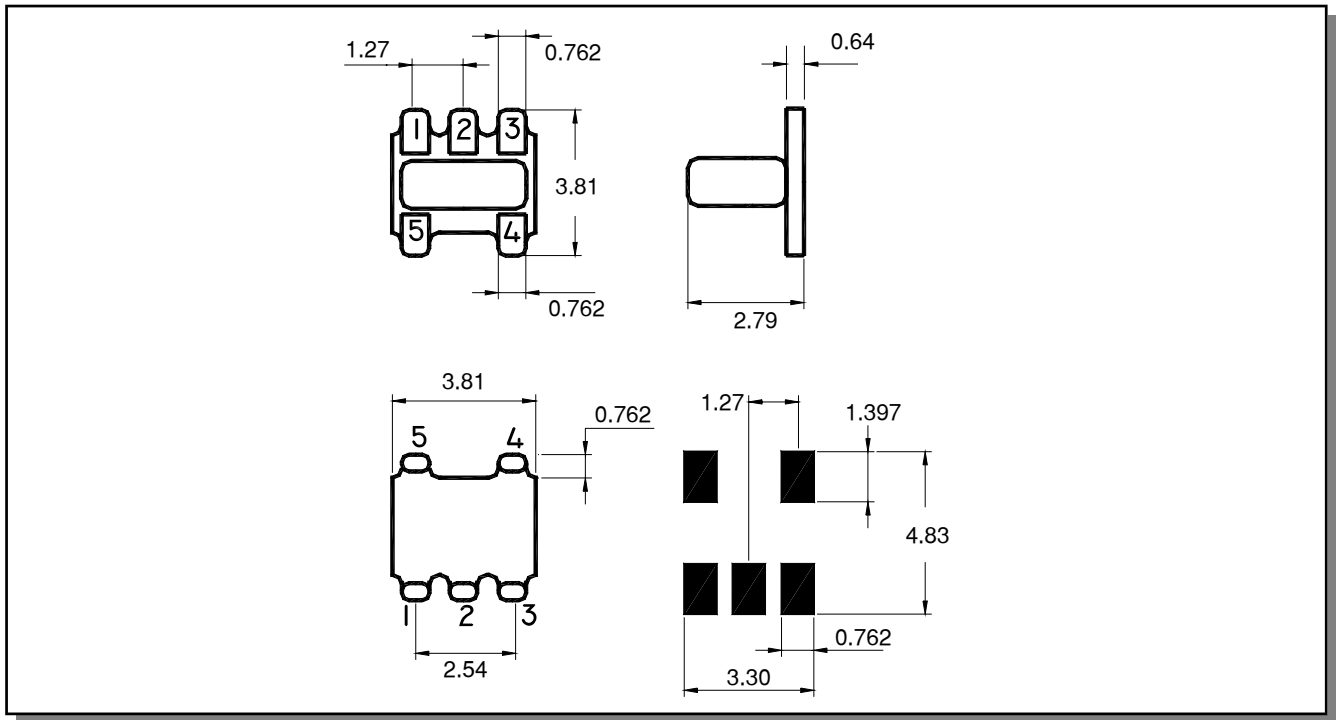
Electrical Specifications:  $Z_0 = 75\Omega$ ,  $T_A = 25^\circ\text{C}$ ,  $P_{in} = 0\text{dBm}$

**ADVANCED:** Data Sheets contain information regarding a product M/A-COM Technology Solutions is considering for development. Performance is based on target specifications, simulated results, and/or prototype measurements. Commitment to develop is not guaranteed.  
**PRELIMINARY:** Data Sheets contain information regarding a product M/A-COM Technology Solutions has under development. Performance is based on engineering tests. Specifications are typical. Mechanical outline has been fixed. Engineering samples and/or test data may be available. Commitment to produce in volume is not guaranteed.

• North America Tel: 800.366.2266 • Europe Tel: +353.21.244.6400  
• India Tel: +91.80.43537383 • China Tel: +86.21.2407.1588  
Visit [www.macomtech.com](http://www.macomtech.com) for additional data sheets and product information.

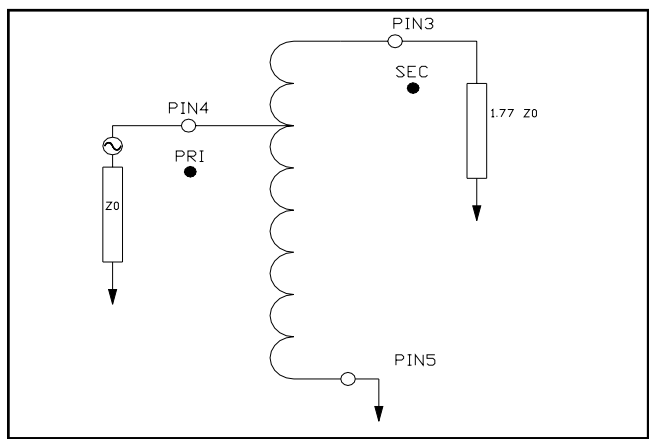
M/A-COM Technology Solutions Inc. and its affiliates reserve the right to make changes to the product(s) or information contained herein without notice.

## Outline Drawing

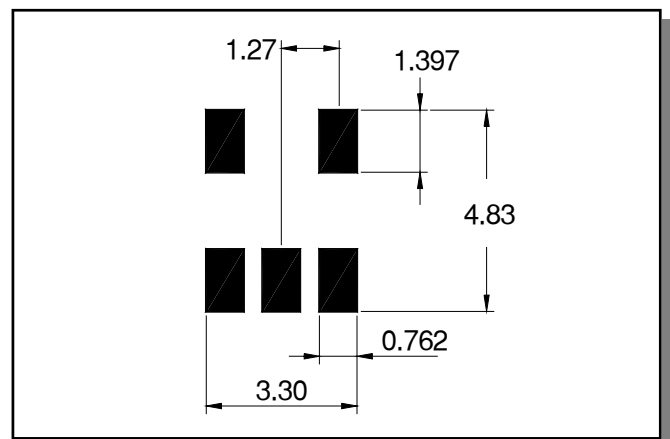


1. Dimensions in mm.
2. Tolerance:  $\pm 0.2$ mm unless otherwise noted.
3. Model number and lot code printed on reel.
4. Plating finish: ENIG

## Application Circuit



## Recommended Footprint



## Tape & Reel Information

Parameter	Units	Value
Qty per reel	-	2000
Reel size	mm	330
Tape width (W)	mm	12.0
Pitch (P <sub>1</sub> )	mm	8.0
A <sub>0</sub>	mm	4.0
B <sub>0</sub>	mm	4.0
K <sub>0</sub>	mm	2.9
Orientation	-	F5
Reference Application note ANI-019 for orientation		

## Ordering Information

Part Number	Description
MABA-010463-CA2A40	Tape & Reel

## Recommended Maximum Ratings

Parameter	Units	Min	Max
Input Power	mW		250
DC Current	mA		200
Operating Temperature Range	°C	-40	+85
Storage Temperature Range	°C	-55	+125

Temperature data available on request

## ECO History

Rev	Date	Description	ECO
V1	4 Sep 2010	New Transformer release	20101283