

MABA-010725-CT1006

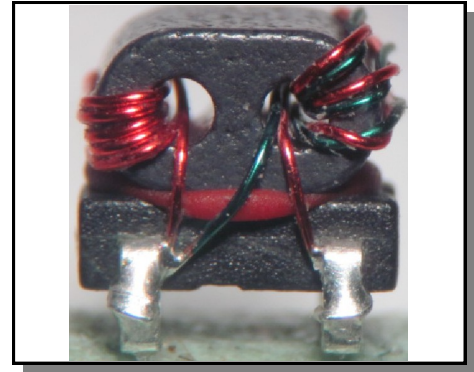


Transformer, 1:1 Transmission Line with tertiary winding
45 MHz - 1200 MHz

Rev. V1

Features

- ◆ 1:1 impedance ratio
- ◆ Surface mount
- ◆ Available on tape and reel
- ◆ 260°C reflow compatible
- ◆ RoHS Compliant and Pb free
- ◆ Excellent temperature stability
- ◆ Can be used on 50Ω and 75Ω systems
- ◆ Suitable for all CATV, Broadband and FTTx applications.



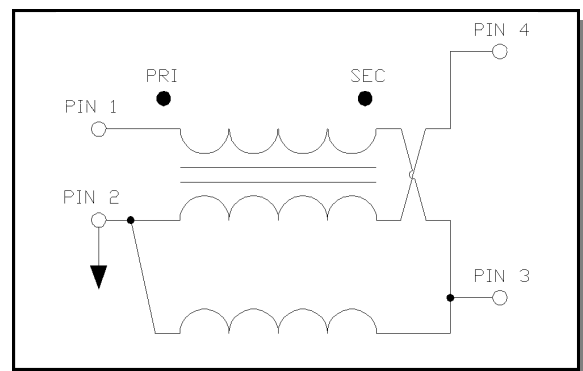
Electrical Specifications: $Z_0 = 75\Omega$, $T_A = 25^\circ\text{C}$, $P_{in} = 0\text{dBm}$

Parameter	Conditions	Units	Min	Typ	Max
Frequency Range		MHz	45		1200
Impedance		Ω		75	
Impedance Ratio				1:1	
Insertion Loss (Pin1 - Pin4)	45 - 100 MHz	dB	-	0.6	0.7
	100 - 600 MHz	dB	-	0.5	0.7
	600 - 1200 MHz	dB	-	0.4	0.8
Insertion Loss (Pin1 - Pin3)	45 - 100 MHz	dB	-	0.2	0.4
	100 - 600 MHz	dB	-	0.4	0.9
	600 - 1200 MHz	dB	-	0.9	1.4
Amplitude Balance	45 - 600 MHz	dB	-	0.2	± 0.5
	600 - 1200 MHz	dB	-	0.3	± 1.1
Phase Balance	45 - 500 MHz	$^\circ$	-	2	± 4
	500 - 1200 MHz	$^\circ$	-	3	± 6
Input Return Loss (Pin1)	45- 150 MHz	dB	20	27	-
	150- 600 MHz	dB	20	25	-
	600- 1200 MHz	dB	14	19	-

Pin Configuration

Pin No.	Function
1	Primary Dot
2	Primary
3	Secondary
4	Secondary Dot

Schematic



1

ADVANCED: Data Sheets contain information regarding a product M/A-COM Technology Solutions is considering for development. Performance is based on target specifications, simulated results, and/or prototype measurements. Commitment to develop is not guaranteed.

PRELIMINARY: Data Sheets contain information regarding a product M/A-COM Technology Solutions has under development. Performance is based on engineering test. Specifications are typical. Mechanical outline has been fixed. Engineering samples and/or test data may be available. Commitment to produce in volume is not guaranteed.

• North America Tel: 800.366.2266 • Europe Tel: +353.21.244.6400

• India Tel: +91.80.43537383

• China Tel: +86.21.2407.1588

Visit www.macomtech.com for additional data sheets and product information.

M/A-COM Technology Solutions Inc. and its affiliates reserve the right to make changes to the product(s) or information contained herein without notice.

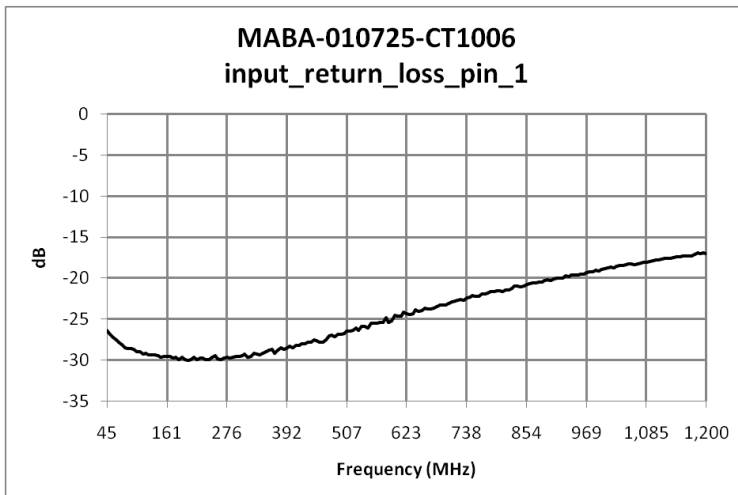
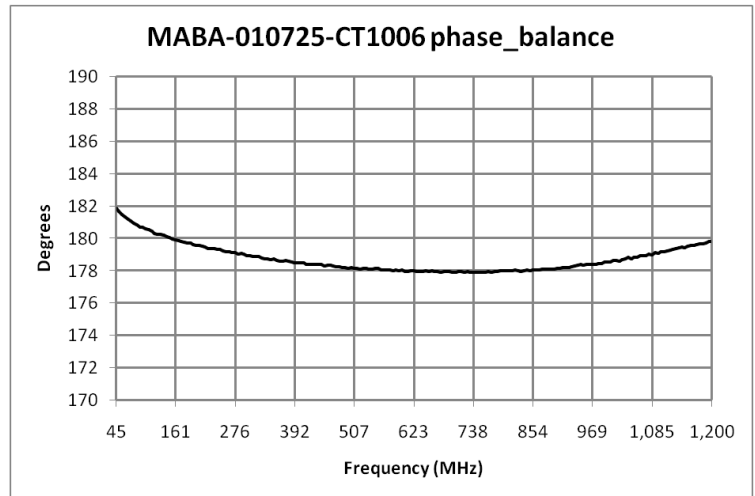
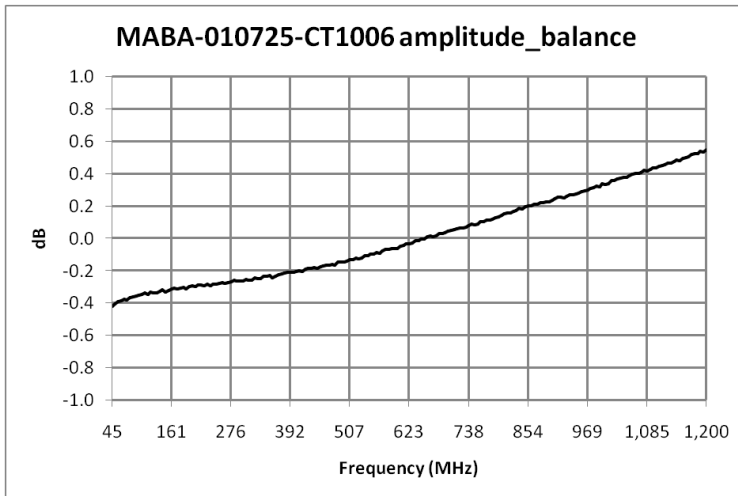
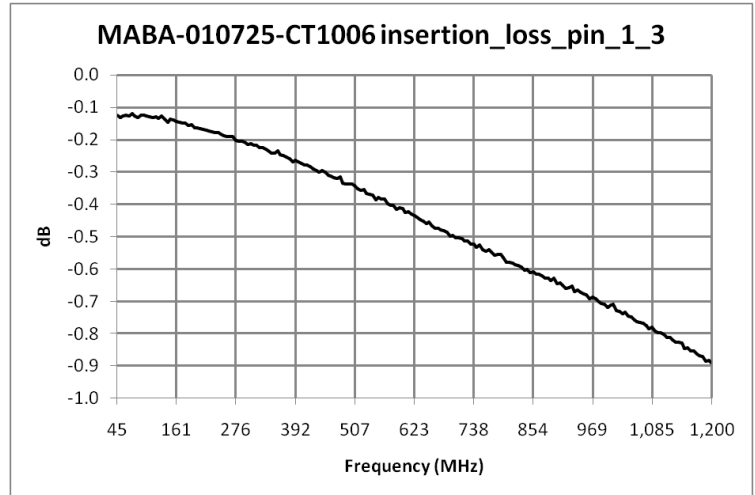
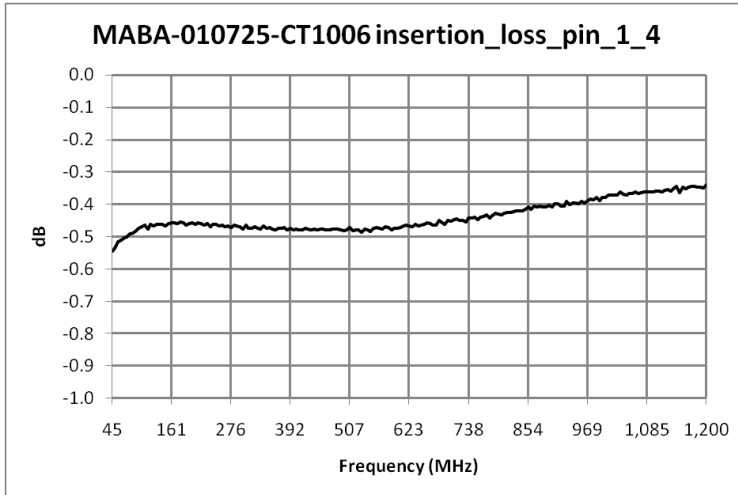
www.BDTIC.com/MACOM

MABA-010725-CT1006



Transformer, 1:1 Transmission Line with tertiary winding
45 MHz - 1200 MHz

Rev. V1



Electrical Specifications: $Z_0 = 75\Omega$, $T_A = 25^\circ\text{C}$, $P_{in} = 0\text{dBm}$

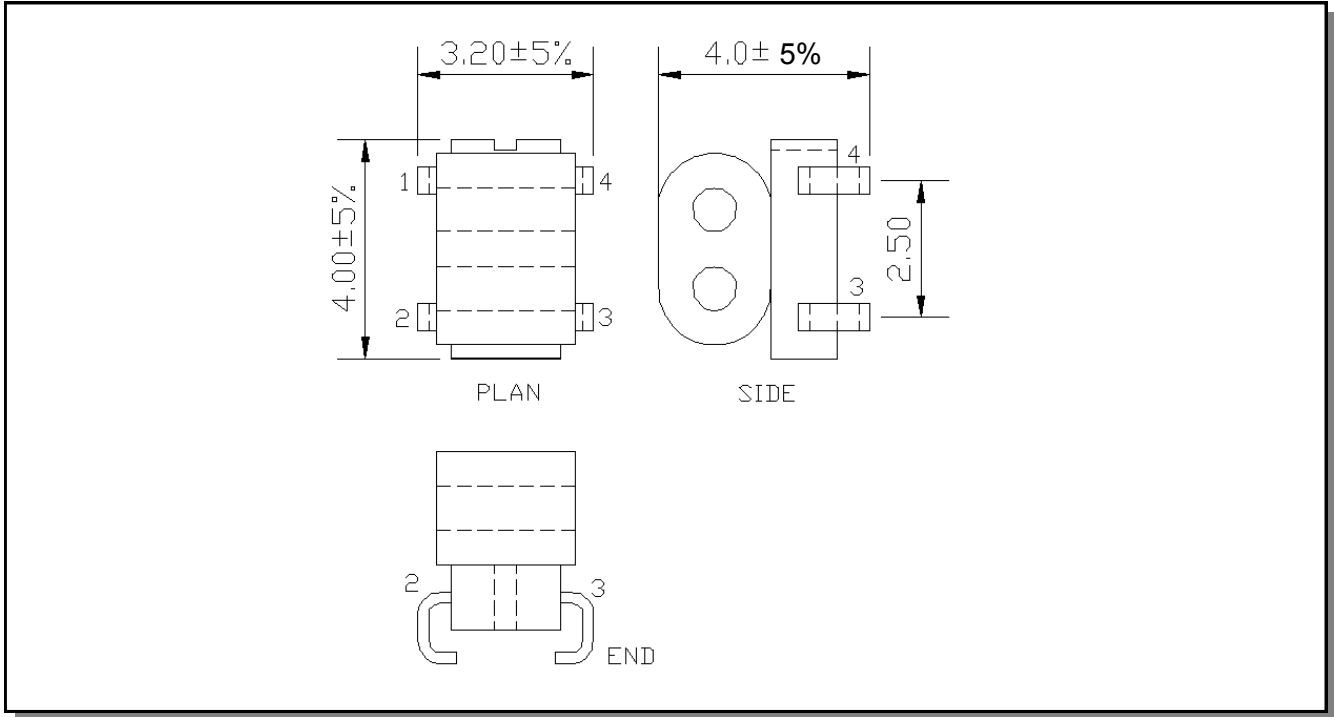
ADVANCED: Data Sheets contain information regarding a product M/A-COM Technology Solutions is considering for development. Performance is based on target specifications, simulated results, and/or prototype measurements. Commitment to develop is not guaranteed.
PRELIMINARY: Data Sheets contain information regarding a product M/A-COM Technology Solutions has under development. Performance is based on engineering test. Specifications are typical. Mechanical outline has been fixed. Engineering samples and/or test data may be available. Commitment to produce in volume is not guaranteed.

• **North America** Tel: 800.366.2266 • **Europe** Tel: +353.21.244.6400
 • **India** Tel: +91.80.43537383 • **China** Tel: +86.21.2407.1588
 Visit www.macomtech.com for additional data sheets and product information.

M/A-COM Technology Solutions Inc. and its affiliates reserve the right to make changes to the product(s) or information contained herein without notice.

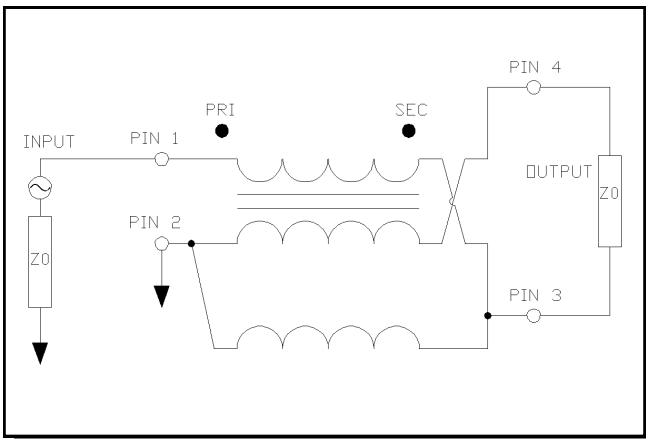


Outline Drawing

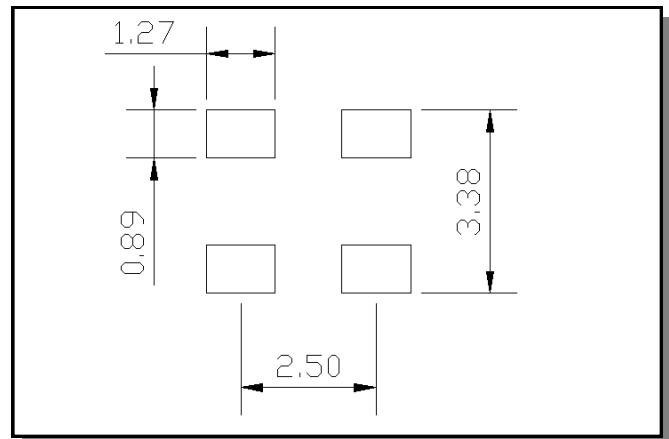


1. Dimensions in mm.
2. Tolerance: ± 0.2 mm unless otherwise noted.
3. Model number and lot code printed on reel.
4. Plating finish: CuSn6

Application Circuit



Recommended Footprint



Tape & Reel Information

Parameter	Units	Value
Qty per reel	-	2000
Reel size	mm	330
Tape width (W)	mm	12.00
Pitch (P ₁)	mm	8.00
A ₀	mm	3.5
B ₀	mm	4.3
K ₀	mm	4.2
Orientation	-	F48
Reference Application note ANI-019 for orientation		

Ordering Information

Part Number	Description
MABA-010725-CT1006	Tape & Reel
MABA-010725-CT10TB	Customer Evaluation Board

Recommended Maximum Ratings

Parameter	Units	Min	Max
Input Power	mW		250
DC Current	mA		200
Operating Temperature Range	°C	-40	+85

Temperature data available on request