

## Features

- Very Broadband Performance
- Low Insertion Loss: 1.9 dB Typical @ 20 GHz
- High Isolation: 40 dB Typical @ 20 GHz
- Fast Switching Speed
- Reflective Configuration
- Ultra Low DC Power Consumption
- Lead-Free 4 mm 24-Lead PQFN Package
- Halogen-Free "Green" Mold Compound
- RoHS Compliant\* and 260°C Reflow Compatible

## Description

The MASW-008322 is a versatile, broadband, high isolation SPDT switch offered in a lead-free 4 mm 24-lead PQFN surface mount plastic package. The design incorporates both series and shunt circuit elements with the locations optimized to achieve outstanding broadband performance to 20 GHz. The combination of broadband performance along with very fast switching and excellent settling time make this device ideal for many applications, including Test & Measurement, EW and broadband communication systems.

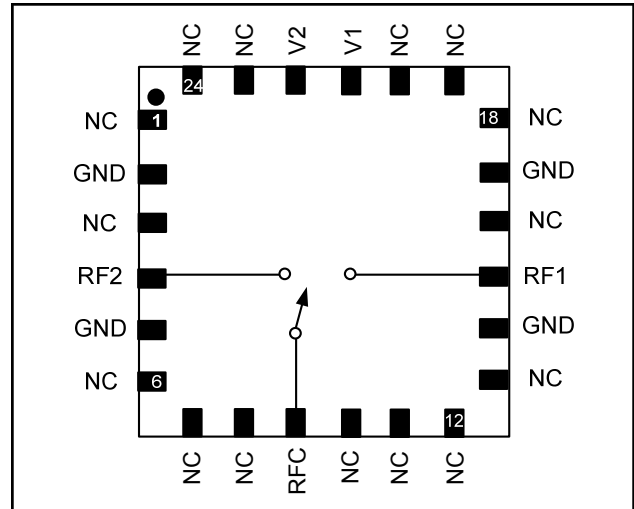
The MASW-008322 is fabricated using M/A-COM Technology's mature 0.5um Low Gate-Lag pHEMT process. This robust process features full surface passivation for a high performance and high reliability.

## Ordering Information<sup>1,2</sup>

Part Number	Package
MASW-008322-TR0500	500 piece reel
MASW-008322-TR1000	1000 piece reel
MASW-008322-001SMB	Sample Board

1. Reference Application Note M513 for reel size information.
2. All sample boards include 2 loose parts.

## Functional Schematic



## Pin Configuration<sup>3</sup>

Pin No.	Function	Pin No.	Function
1	NC	14	GND
2	GND	15	RF1
3	NC	16	NC
4	RF2	17	GND
5	GND	18	NC
6	NC	19	NC
7	NC	20	NC
8	NC	21	V1
9	RFC	22	V2
10	NC	23	NC
11	NC	24	NC
12	NC	25	Paddle <sup>4</sup>
13	NC		

3. M/A-COM Technology recommends that all unused (N/C) pins be connected to ground. All data on this datasheet was taken with N/C pins connected to ground.
4. The exposed pad centered on the package bottom must be connected to RF and DC ground.

\* Restrictions on Hazardous Substances, European Union Directive 2002/95/EC.

## GaAs SPDT Switch DC - 20 GHz

Rev. V3

### Electrical Specifications<sup>5</sup>: $T_A = +25^\circ\text{C}$ <sup>6</sup>, $Z_0 = 50\Omega$ , $V_{1,2} = -5/0\text{V}$

Parameter	Test Conditions	Units	Min.	Typ.	Max.
Insertion Loss	1 GHz	dB	—	0.4	0.55
	10 GHz		—	1.0	—
	18 GHz		—	1.5	—
	20 GHz		—	1.9	2.5
Isolation	1 GHz	dB	50	52	—
	10 GHz		—	48	—
	18 GHz		—	43	—
	20 GHz		39	40	—
VSWR	1 - 20 GHz	Ratio	—	2.0:1	—
Trise, Tfall	10% to 90% RF and 90% to 10% RF	ns	—	9	—
Ton, Toff	50% control to 90% RF, and 50% control to 10% RF	ns	—	12	25 <sup>7</sup>
Input P1dB	0.5 - 20 GHz, 0 to -5 V	dBm	—	30	—
IIP3	Two Tone, +5 dBm/Tone, 5 MHz Spacing, >50 MHz 0.5 - 20 GHz	dBm	—	48	—
Settling Time	50% Vctl to 0.1 dB of final value	$\mu\text{s}$	—	1	—
Control Current (Complementary Logic)	$V_{IN}$ Low, -5 V	$\mu\text{A}$	—	3	50
	$V_{IN}$ High, 0 V		—	—	20

5. All specifications apply with 50  $\Omega$  impedance connected to all RF ports, 0 and -5 VDC control voltages.

6. Loss changes 0.0025 dB/ $^\circ\text{C}$  (from -55 $^\circ\text{C}$  to +85 $^\circ\text{C}$ ).

7. Max switching speed guaranteed by design.

### Absolute Maximum Ratings<sup>8</sup>

Parameter	Absolute Maximum
Control Voltage	-8.5 VDC
Input RF Power	+33 dBm
Operating Temperature	-40 to +85 $^\circ\text{C}$
Storage Temperature	-65 $^\circ\text{C}$ to +150 $^\circ\text{C}$

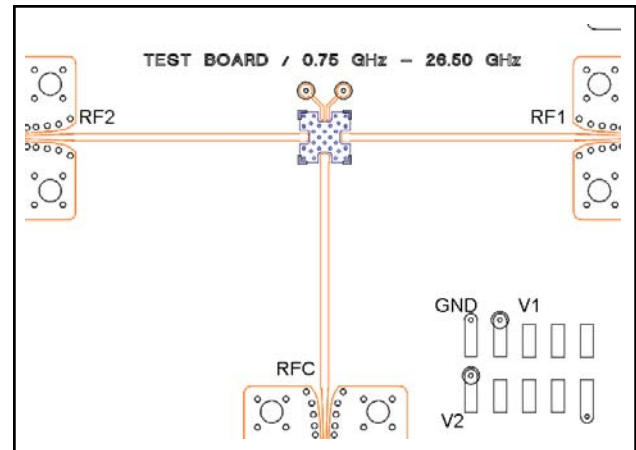
8. Exceeding any one or combination of these limits may cause permanent damage to this device.

### Truth Table<sup>9</sup>

Control Inputs		Condition of Switch	
V1	V2	RF1	RF2
High	Low	Off	On
Low	High	On	Off

9.  $V_{low} = -5\text{ V}$ ,  $V_{high} = 0\text{ V}$

### Sample Board



**ADVANCED:** Data Sheets contain information regarding a product M/A-COM Technology Solutions is considering for development. Performance is based on target specifications, simulated results, and/or prototype measurements. Commitment to develop is not guaranteed.

**PRELIMINARY:** Data Sheets contain information regarding a product M/A-COM Technology Solutions has under development. Performance is based on engineering tests. Specifications are typical. Mechanical outline has been fixed. Engineering samples and/or test data may be available. Commitment to produce in volume is not guaranteed.

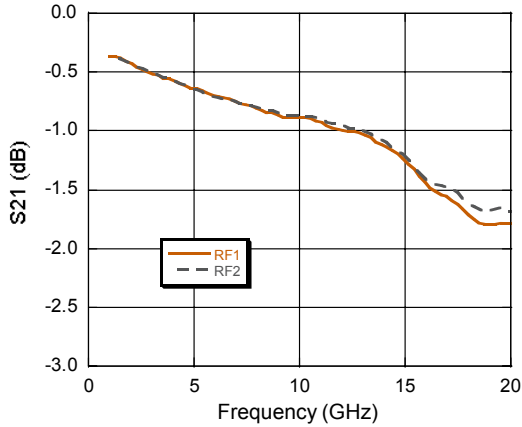
• North America Tel: 800.366.2266 • Europe Tel: +353.21.244.6400  
• India Tel: +91.80.43537383 • China Tel: +86.21.2407.1588

Visit [www.macomtech.com](http://www.macomtech.com) for additional data sheets and product information.

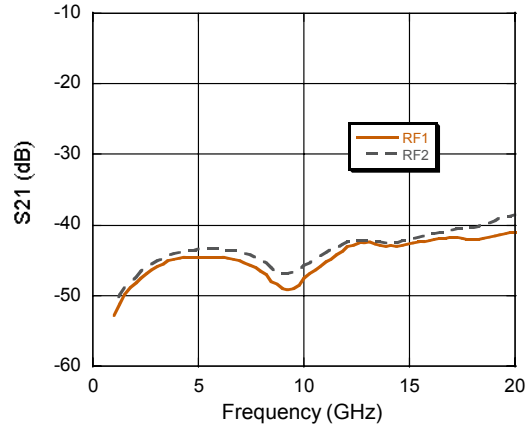
M/A-COM Technology Solutions Inc. and its affiliates reserve the right to make changes to the product(s) or information contained herein without notice.

## Typical Performance Curves

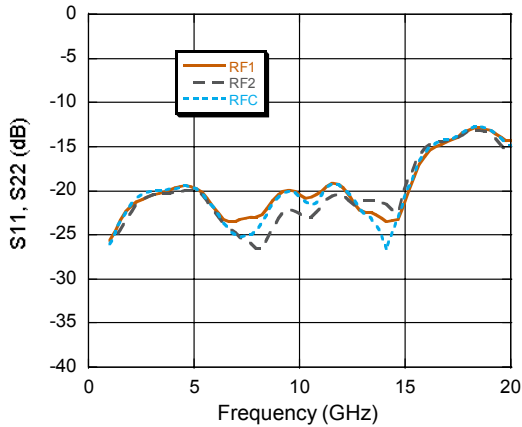
**Insertion Loss**



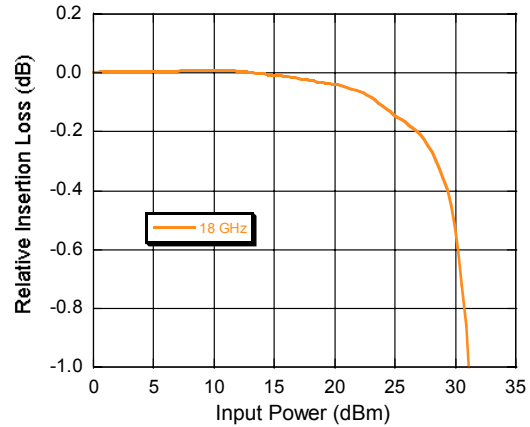
**Isolation**



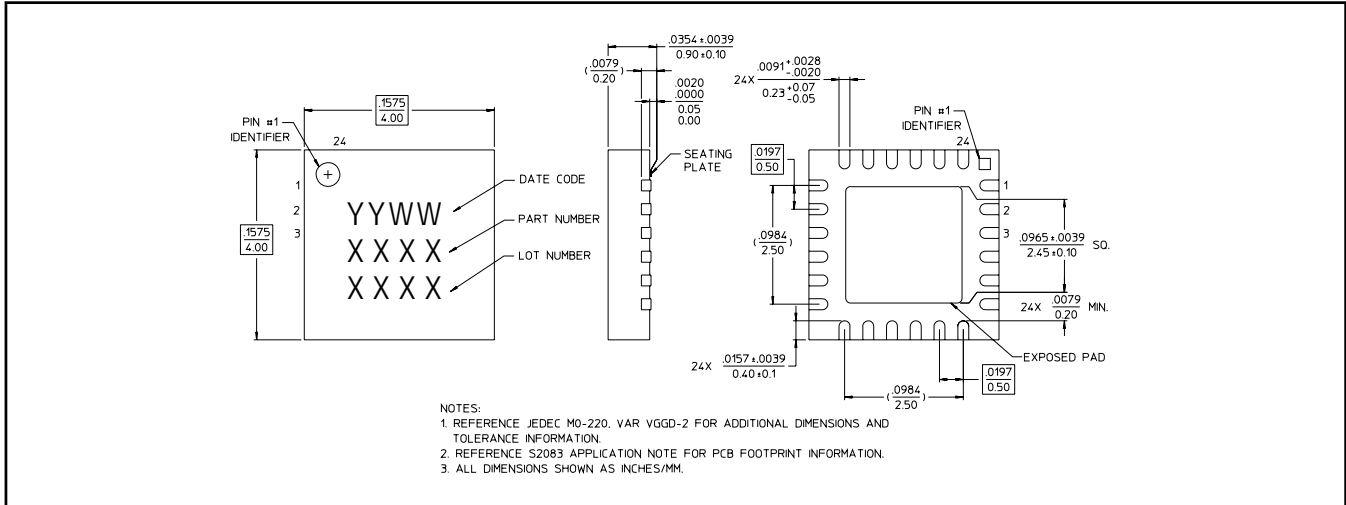
**Return Loss**



**P1dB**



## Lead Free 4 mm 24-Lead PQFN †



† Reference Application Note S2083 for lead-free solder reflow recommendations.  
Meets JEDEC moisture sensitivity level 1 requirements.  
Plating is 100% matte tin over copper.

## Handling Procedures

Please observe the following precautions to avoid damage:

## Static Sensitivity

Gallium Arsenide Integrated Circuits are sensitive to electrostatic discharge (ESD) and can be damaged by static electricity. Proper ESD control techniques should be used when handling these devices.