

XP1080-QU



Power Amplifier
37.0-40.0 GHz

Rev. V2
MimiX Broadband

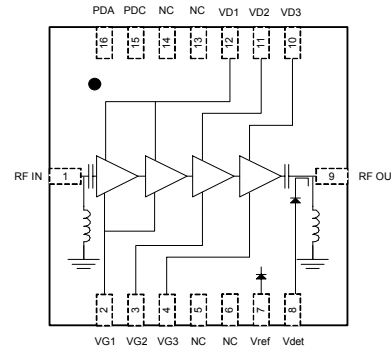
Features

- Linear Power Amplifier
- On-Chip Power Detector
- Output Power Adjust
- 25.0 dB Small Signal Gain
- +27.0 dBm P1dB Compression Point
- +38.0 dBm OIP3
- Lead-Free 7 mm 28-lead SMD Package
- RoHS* Compliant and 260°C Reflow Compatible

Description

M/A-COM Tech's four stage 37.0-40.0 GHz packaged GaAs MMIC power amplifier has a small signal gain of 25.0 dB with a +38.0 dBm Output Third Order Intercept. The amplifier contains an integrated, temperature compensated, on-chip power detector. This MMIC uses M/A-COM Tech's GaAs pHEMT device model technology, and is based upon electron beam lithography to ensure high repeatability and uniformity. The device comes in a RoHS compliant 7x7mm QFN Surface Mount Package offering excellent RF and thermal properties. This device has been designed for use in 38 GHz Point-to-Point Microwave Radio applications.

Functional Block Diagram/Board Layout



Pin Configuration

Pin No.	Function	Pin No.	Function
1	RF Input	9	RF Output
2	Gate Bias, Stage 1	10	Drain Bias for Stage 3
3	Gate Bias, Stage 2	11	Drain Bias for Stage 2
4	Gate Bias, Stage 3	12	Drain Bias for Stage 1
5-6	Not Connected	13, 14	Not Connected
7	Detector Reference Output	15	PDC
8	Detector Output	16	PDA

Ordering Information

Part Number	Package
XP1080-QU-0N00	bulk quantity
XP1080-QU-0N0T	tape and reel
XP1080-QU-EV1	evaluation module

Absolute Maximum Ratings^{1,2}

Parameter	Absolute Max.
Supply Voltage (Vd)	+4.3 V
Gate Bias Voltage (Vg)	1.5V < Vg < 0V
Input Power (Pin)	15 dBm
Abs. Max Junction/Channel Temp	MTTF Graph 1
Max. Operating Junction/Channel Temp	175 °C
Continuous Power Dissipation (Pdiss) at 85 °C	7.0 W
Thermal Resistance (Tchannel=150 °C)	12 °C/W
Operating Temperature (Ta)	-40 °C to +85 °C
Storage Temperature (Tstg)	-65 °C to +150 °C
Mounting Temperature	See solder reflow profile
ESD Min. - Machine Model (MM)	Class A
ESD Min. - Human Body Model (HBM)	Class 1A
MSL Level	MSL3

- (1) Channel temperature directly affects a device's MTTF. Channel temperature should be kept as low as possible to maximize lifetime.
- (2) For saturated performance it recommended that the sum of (2*Vdd + abs(Vgg)) < 9V

ADVANCED: Data Sheets contain information regarding a product M/A-COM Technology Solutions is considering for development. Performance is based on target specifications, simulated results, and/or prototype measurements. Commitment to develop is not guaranteed.
PRELIMINARY: Data Sheets contain information regarding a product M/A-COM Technology Solutions has under development. Performance is based on engineering tests. Specifications are typical. Mechanical outline has been fixed. Engineering samples and/or test data may be available. Commitment to produce in volume is not guaranteed.

• **North America** Tel: 800.366.2266 • **Europe** Tel: +353.21.244.6400
• **India** Tel: +91.80.43537383 • **China** Tel: +86.21.2407.1588
Visit www.macomtech.com for additional data sheets and product information.

M/A-COM Technology Solutions Inc and its affiliates reserve the right to make changes to the product(s) or information contained herein without notice.

XP1080-QU



Power Amplifier
37.0-40.0 GHz

Rev. V2
MimiX Broadband

Electrical Specifications: 37-40 GHz (Ambient Temperature T = 25°C)

Parameter	Units	Min.	Typ.	Max.
Input Return Loss (S11)	dB	10.0	14.0	-
Output Return Loss (S22)	dB	4.0	8.0	-
Small Signal Gain (S21)	dB	21.0	25.0	30.0
Gain Flatness (ΔS_{21})	dB	-	+/-1.0	-
Reverse isolation (S12)	dB	-	50	-
Output Power for 1dB Compression Point (P1dB)	dBm	-	27.0	-
Output IMD3 with Pout (scl) = 14 dBm	dBc	43.0	48.0	-
Output IP3	dBm	35.5	+38.0	-
Drain Bias Voltage (Vd)	VDC	-	4.0	4.0
Gate Bias Voltage (Vg)	VDC	-1.0	-0.3	-0.1
Supply Current (Id1) (Vd=4.0V, Vg=-0.3V)	mA	-	1000	1200

ADVANCED: Data Sheets contain information regarding a product M/A-COM Technology Solutions is considering for development. Performance is based on target specifications, simulated results, and/or prototype measurements. Commitment to develop is not guaranteed.

PRELIMINARY: Data Sheets contain information regarding a product M/A-COM Technology Solutions has under development. Performance is based on engineering tests. Specifications are typical. Mechanical outline has been fixed. Engineering samples and/or test data may be available. Commitment to produce in volume is not guaranteed.

• **North America** Tel: 800.366.2266 • **Europe** Tel: +353.21.244.6400
• **India** Tel: +91.80.43537383 • **China** Tel: +86.21.2407.1588
Visit www.macomtech.com for additional data sheets and product information.

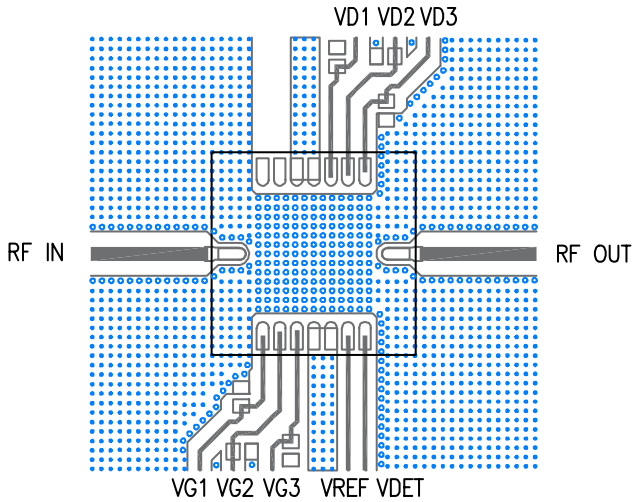
M/A-COM Technology Solutions Inc and its affiliates reserve the right to make changes to the product(s) or information contained herein without notice.

XP1080-QU

Power Amplifier
37.0-40.0 GHz

Rev. V2
MimiX Broadband

Recommended Layout

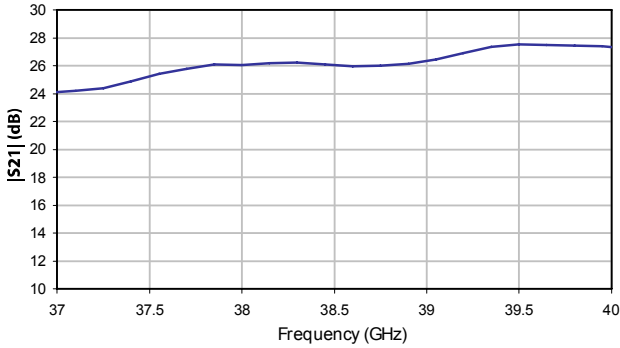


Recommended Decoupling Capacitors: 100pF 0402
10uF 0805

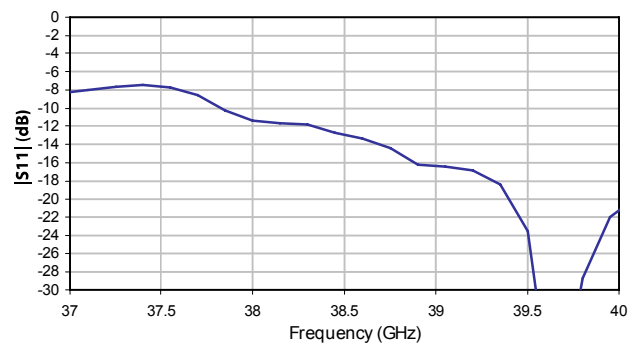
Recommend to externally ground all NC pins

Typical Performance Curves

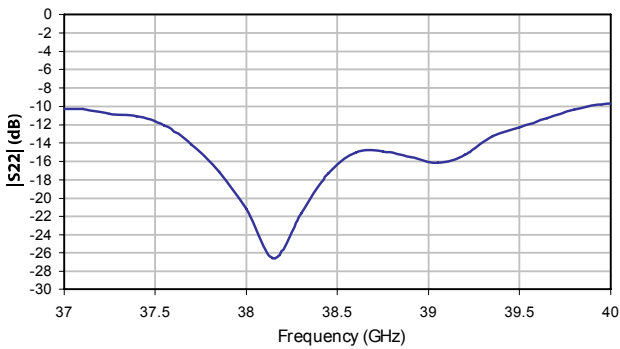
XP1080-QU-0N00: Small signal Gain (S21)
Vd=4.0V, Id=1000mA



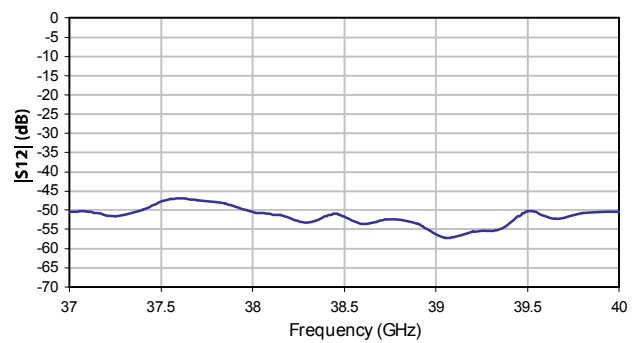
XP1080-QU-0N00: Input Return Loss (S11)
Vd=4.0V, Id=1000mA



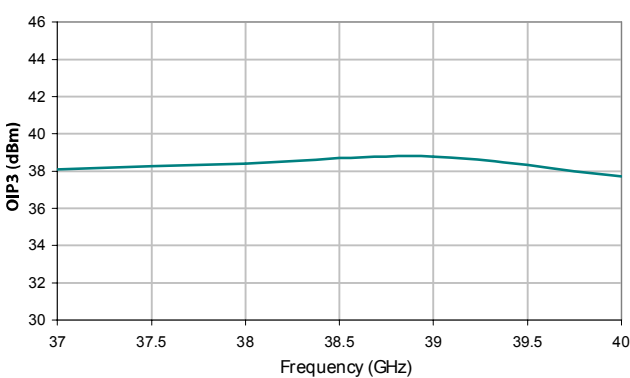
XP1080-QU-0N00: Output Return Loss (S22)
Vd=4.0V, Id=1000mA



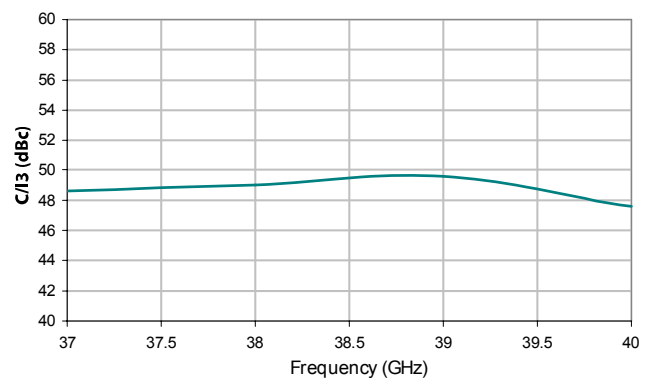
XP1080-QU-0N00: Reverse Isolation (S12)
Vd=4.0V, Id=1000mA



XP1080-QU-0N00: Output IP3 vs Freq
Vd=4V, Id=1000mA

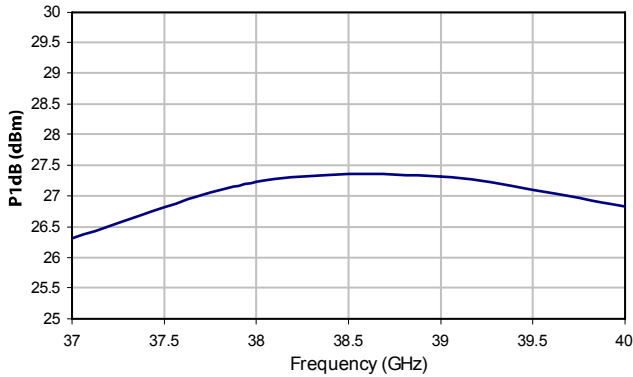


XP1080-QU-0N00: C/I3 vs Freq
Psc1=14dBm, Vd=4V, Id=1000mA

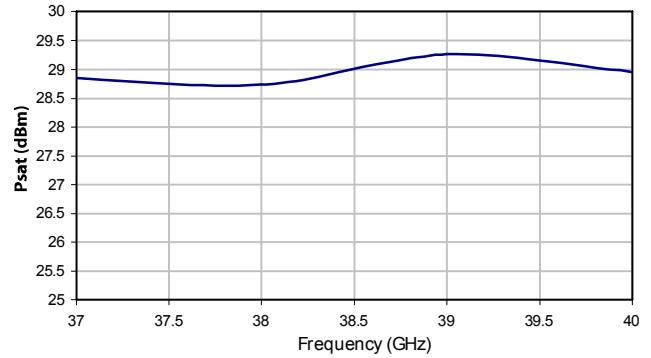


Typical Performance Curves (cont.)

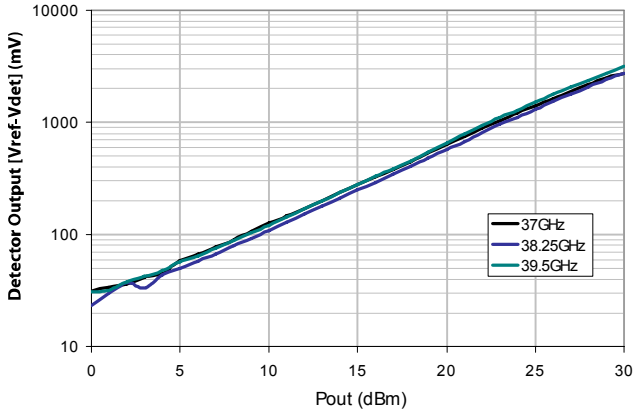
XP1080-QU: P1dB vs Freq
Vd=4V, Id=1000mA



XP1080-QU: Psat vs Freq
Vd=4V, Id=1000mA



XP1080-QU: Detector Output (Diff) vs Freq
Vd=4V, Id=1000mA, Vdet/ref Bias = +5V/100k



XP1080-QU

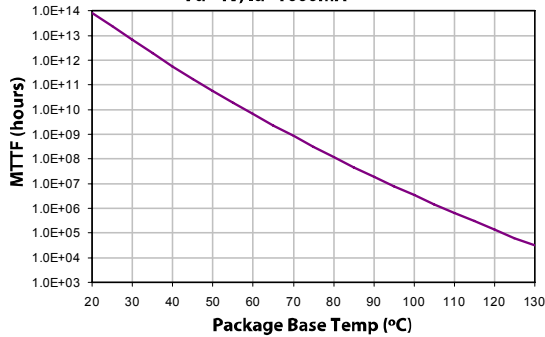


Power Amplifier
37.0-40.0 GHz

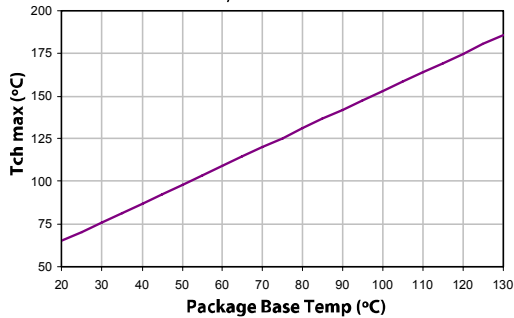
Rev. V2
MimiX Broadband

MTTF

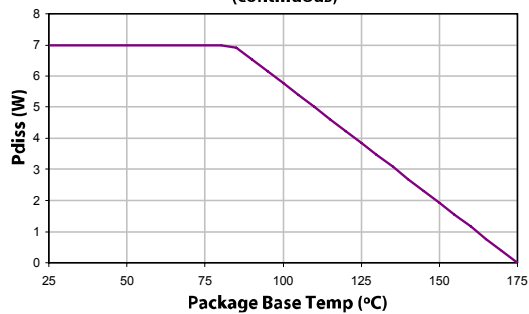
XP1080-QK-0N00: MTTF hours vs Package Base Temperature
Vd=4V, Id=1000mA



XP1080-QK-0N00: Tch(max) vs Package Base Temperature
Vd=4V, Id=1000mA



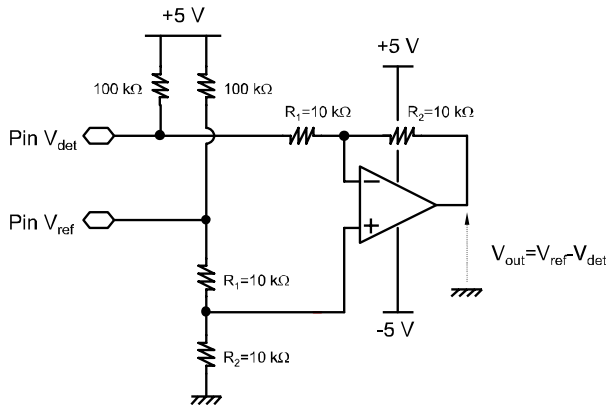
XP1080-QK-0N00: Operating Power De-rating Curve
(continuous)



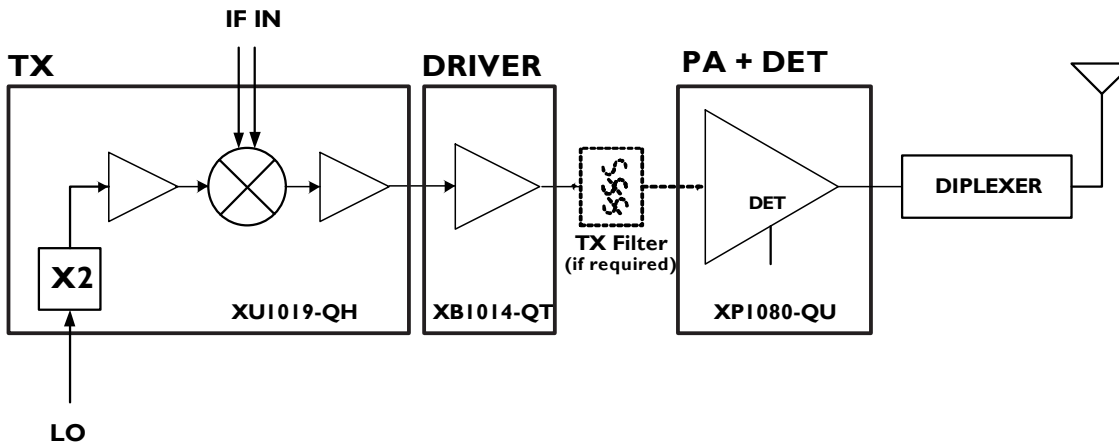
App Note [1] Biasing - It is recommended to bias the amplifier with $V_d=4.0V$ and $I_d=1000mA$. It is also recommended to use active biasing to keep the currents constant as the RF power and temperature vary; this gives the most reproducible results. Depending on the supply voltage available and the power dissipation constraints, the bias circuit may be a single transistor or a low power operational amplifier, with a low value resistor in series with the drain supply used to sense the current. The gate of the pHEMT is controlled to maintain correct drain current and thus drain voltage. The typical gate voltage needed to do this is $-0.3V$. Typically the gate is protected with Silicon diodes to limit the applied voltage. Also, make sure to sequence the applied voltage to ensure negative gate bias is available before applying the positive drain supply.

App Note [2] Bias Arrangement - Each DC pin ($V_{d1,2,3}$ and $V_{g1,2,3}$) needs to have DC bypass capacitance (10 nF/1 uF) as close to the package as possible.

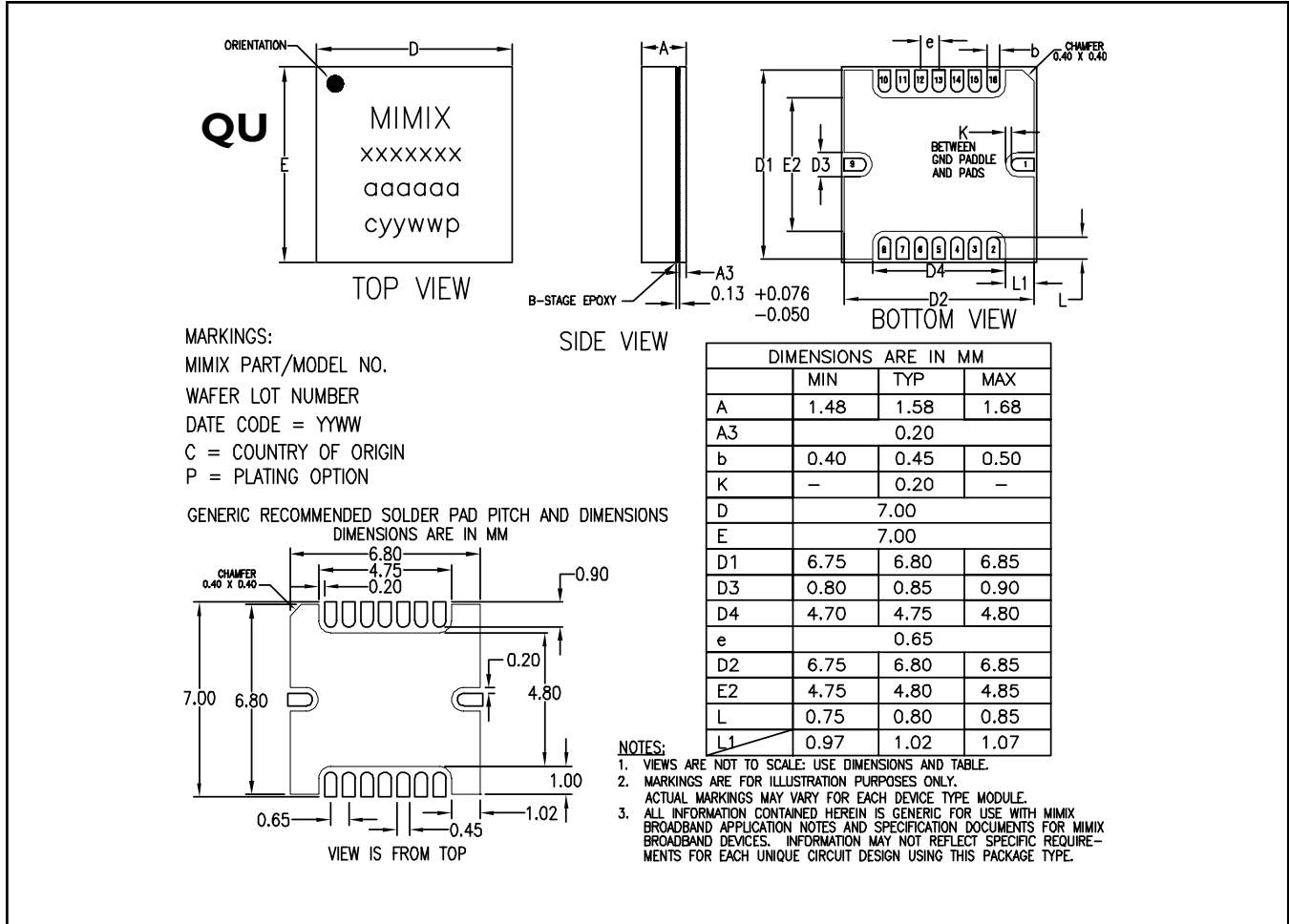
App Note [3] Power Detector - As shown in the schematic below, the power detector is implemented by providing +5V bias and measuring the difference in output voltage with standard op-amp in a differential mode configuration.



Typical Application



Lead-Free Package Dimensions/Layout



Handling Procedures

Please observe the following precautions to avoid damage:

Static Sensitivity

Gallium Arsenide Integrated Circuits are sensitive to electrostatic discharge (ESD) and can be damaged by static electricity. Proper ESD control techniques should be used when handling these class 2 devices.