

MITSUBISHI DIODE MODULES
RM75TPM-M,-H,-24,-2H

MEDIUM POWER GENERAL USE
 INSULATED TYPE

RM75TPM-M,-H,-24,-2H



- **I_o** DC output current **150A**
- **V_{RRM}** Repetitive peak reverse voltage
 **400/800/1200/1600V**

- **3 phase bridge**
- **Insulated Type**
- **UL Recognized**

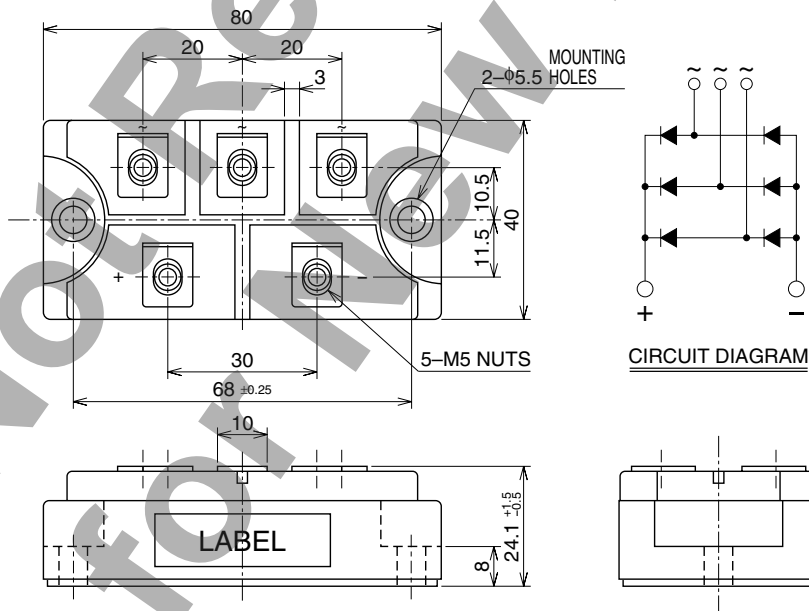
Yellow Card No. E80276
 File No. E80271

APPLICATION

AC motor controllers , DC motor controllers, Battery DC power supplies,
 DC power supplies for control panels, and other general DC power equipment

OUTLINE DRAWING & CIRCUIT DIAGRAM

Dimensions in mm



RM75TPM-M,-H,-24,-2H

MEDIUM POWER GENERAL USE
INSULATED TYPE

ABSOLUTE MAXIMUM RATINGS

Symbol	Parameter	Voltage class				Unit
		M	H	24	2H	
VRRM	Repetitive peak reverse voltage	400	800	1200	1600	V
VRSM	Non-repetitive peak reverse voltage	480	960	1350	1700	V
Ea	Recommended AC input voltage	110	220	370	440	Vrms

Symbol	Parameter	Conditions	Ratings	Unit
Io	DC output current	Three-phase full wave rectifying circuit, Tc=99°C	150	A
IFSM	Surge (non-repetitive) forward current	One half cycle at 60Hz, peak value	1500	A
I ² t	I ² t for fusing	Value for one cycle of surge current	9380	A ² s
f	Maximum operating frequency		1000	Hz
Tj	Junction temperature		-40~+150	°C
Tstg	Storage temperature		-40~+125	°C
Viso	Isolation voltage	Charged part to base plate, f=60Hz, AC 1 minute	2500	Vrms
—	Mounting torque	Main terminal M5 screw	1.47~1.96	N·m
		Mounting M5 screw	1.47~1.96	N·m
—	Weight	Typical value	200	g

ELECTRICAL AND THERMAL RESISTANCE CHARACTERISTICS

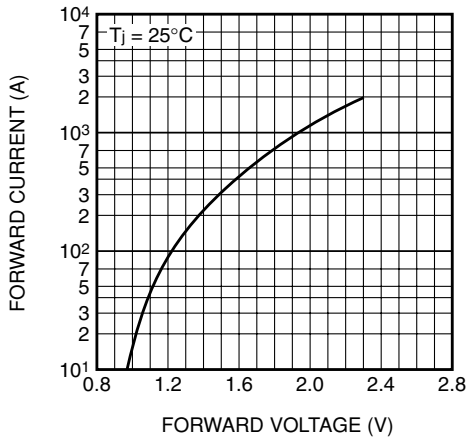
Symbol	Parameter	Conditions	Limits			Unit
			Min.	Typ.	Max.	
IRRM	Repetitive reverse current	Tj=150°C, VRRM applied	—	—	15	mA
VFM	Forward voltage	Tj=25°C, IFM=150A, instantaneous meas.	—	—	1.3	V
Rth (j-c)	Thermal resistance	Junction to case	—	—	0.13	K/W
Rth (c-f)	Contact thermal resistance	Case to heat sink, conductive grease applied	—	—	0.06	K/W
—	Insulation resistance	Measured with a 500V megohmmeter between main terminal and case	10	—	—	MΩ

RM75TPM-M,-H,-24,-2H

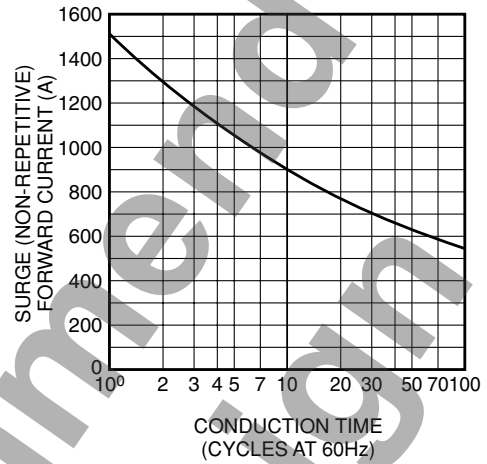
MEDIUM POWER GENERAL USE
INSULATED TYPE

PERFORMANCE CURVE

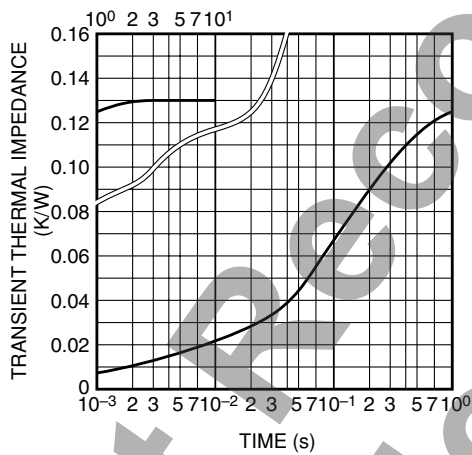
MAXIMUM FORWARD CHARACTERISTICS



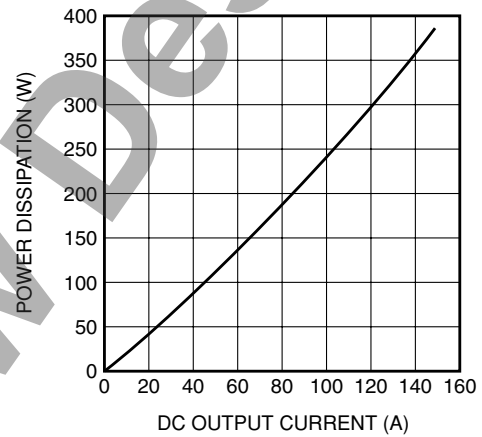
ALLOWABLE SURGE (NON-REPETITIVE) FORWARD CURRENT



MAXIMUM TRANSIENT THERMAL IMPEDANCE (JUNCTION TO CASE)



MAXIMUM POWER DISSIPATION



ALLOWABLE CASE TEMPERATURE VS. DC OUTPUT CURRENT

