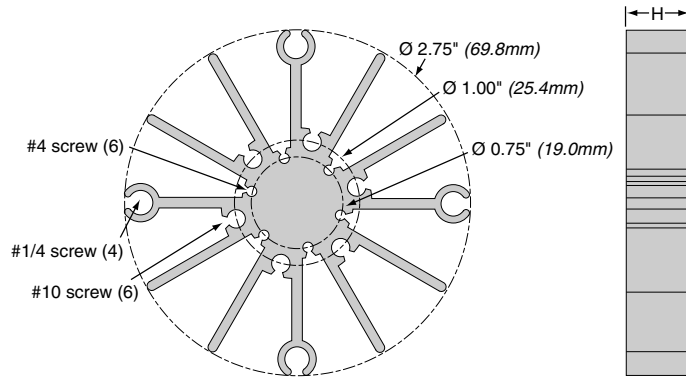


# S Series

## LED Heatsinks



Ohmite S Series LED Heatsinks are low cost and easy assembly heat sinks for "Star" LED packages supplied by Cree, Lumileds, Osram and others. This simple heat sink can hold LED modules and can be mounted simply with some thread forming screws. The heat sink has two types of surface finish and can be used in either natural (free) or forced convection cooling applications.

| Heatsink Part Number       | H Height (in/mm) | Surface Area (in <sup>2</sup> /mm <sup>2</sup> ) | Weight (oz/g) | Thermal Resistance (°C/W) |              |
|----------------------------|------------------|--|---------------|---------------------------|--------------|
|                            |                  |  |               | Free conv.                | Forced conv. |
| SV-LED-113E<br>SA-LED-113E | 0.50 / 12.7      | 18 / 11,739                                      | 0.077 / 35    | 6.67<br>5.33              | 4.33         |
| SV-LED-125E<br>SA-LED-125E | 1.00 / 25.4      | 36 / 23,478                                      | 0.154 / 70    | 5.33<br>4.27              | 2.88         |
| SV-LED-151E<br>SA-LED-151E | 2.00 / 50.8      | 72 / 46,956                                      | 0.308 / 140   | 4.00<br>3.20              | 1.89         |
| SV-LED-176E<br>SA-LED-176E | 3.00 / 76.2      | 108 / 70,434                                     | 0.462 / 210   | 3.11<br>2.49              | 1.55         |

### SPECIFICATIONS

**Heat Sink:** Aluminum Alloy 6063-T5 or Equivalent with either degreased or black anodized finish.

**Mounting Hardware:** 1/4, #10, and #4 thread forming SS screws are preferred

**Compliance:** Either degreased or black anodized finished parts are RoHS compliant.

### STANDARD PART NUMBERS FOR S SERIES

| Part Number | Description                   | Packaging |
|-------------|-------------------------------|-----------|
| SV-LED-113E | 12.7mm, no finish (degreased) | Bulk      |
| SA-LED-113E | Black Anodized, 12.7mm        | Bulk      |
| SV-LED-125E | 25.4mm, no finish (degreased) | Bulk      |
| SA-LED-125E | Black Anodized, 25.4mm        | Bulk      |
| SV-LED-151E | 50.8mm, no finish (degreased) | Bulk      |
| SA-LED-151E | Black Anodized, 50.8mm        | Bulk      |
| SV-LED-176E | 76.2mm, no finish (degreased) | Bulk      |
| SA-LED-176E | Black Anodized, 76.2mm        | Bulk      |

### ORDERING INFORMATION

RoHS Compliant

**S V - L E D - 1 1 3 E**

Series    Coating    Height

A = black anodized  
V = degreased

### HEAT DISSIPATION

