

# NLAS8252

## DP3T Switch for USB/UART/Data Multiplexing

### Brief Description

The NLAS8252 is a DP3T switch for combined UART and USB 2.0 full speed data applications. It allows portable systems to use a single external port to transmit and receive signals to and from three separate locations within the portable system. It is comprised of two switches, each with a single common I/O that alternates between 3 terminals. They are operated together to allow three data sources, such as a USB or UART transceiver, to pass differential data through a shared USB connector port.

The NLAS8252 features low  $R_{ON}$  - 4  $\Omega$  (max) at 4.2 V  $V_{CC}$ , 5  $\Omega$  (typ) at a 3.3 V  $V_{CC}$ . It also features low  $C_{ON}$ , < 30 pF (max) across the supply voltage range. This performance makes it ideal for USB full speed applications that require both low  $R_{ON}$  and  $C_{ON}$  for effective signal transmission.

The NLAS8252 is capable of accepting control input signals down to 1.4 V, over a range of  $V_{CC}$  supply voltages with minimal leakage current. The NLAS8252 is offered in a lead-free, 12 pin, 1.7 x 2.0 x 0.5 mm, UQFN package.

### Features

- $R_{ON}$ : 4  $\Omega$  Max @  $V_{CC} = 4.2$  V
- $C_{ON}$ : < 20 pF @  $V_{CC} = 3.3$  V
- OVT Protection up to 5.25 V on Common Pins
- $V_{CC}$  Range: 1.65 V to 4.5 V
- 3 kV ESD Protection
- 1.7 x 2.0 x 0.5 mm UQFN12 Package
- This is a Pb-Free Device

### Typical Applications

- USB/UART/Data Multiplexing
- Shared USB Connector
- Mobile Phones
- Portable Devices



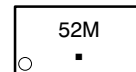
ON Semiconductor®

<http://onsemi.com>



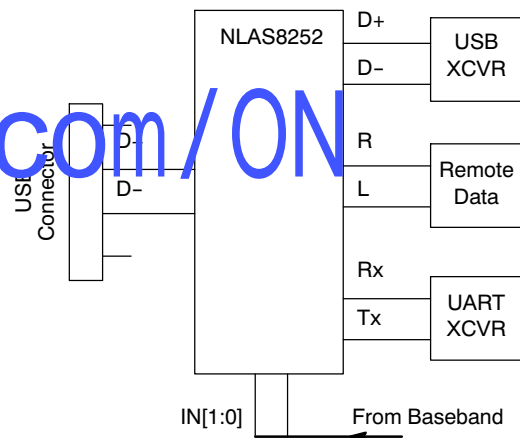
1  
**UQFN12**  
**MU SUFFIX**  
**CASE 523AE**

### MARKING DIAGRAM



- 52 = Specific Device Code
- M = Date Code
- = Pb-Free Package

### APPLICATION DIAGRAM



### ORDERING INFORMATION

| Device        | Package          | Shipping†          |
|---------------|------------------|--------------------|
| NLAS8252MUTAG | UQFN12 (Pb-Free) | 3000 / Tape & Reel |

† For information on tape and reel specifications, including part orientation and tape sizes, please refer to our Tape and Reel Packaging Specification Brochure, BRD8011/D.

www.BDTIC.com/ON

FUNCTIONAL BLOCK DIAGRAM AND PINOUT

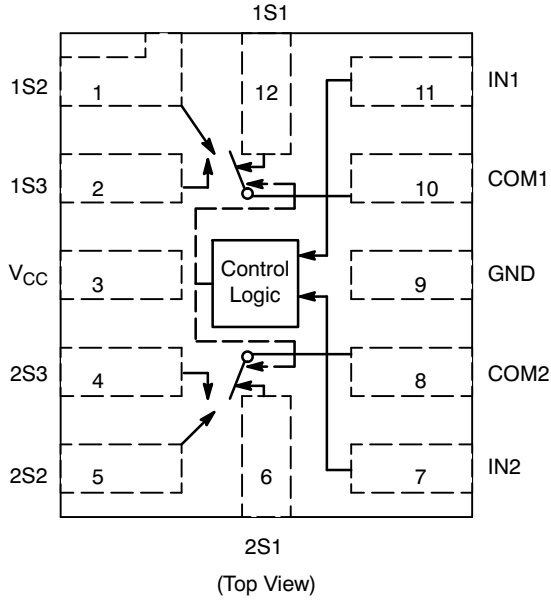


Figure 1. Functional Block Diagram

PIN DESCRIPTIONS

| Pin# | Name            | Direction | Description                      |
|------|-----------------|-----------|----------------------------------|
| 1    | 1S2             | I/O       | Switch #1 Position 2 Signal Line |
| 2    | 1S3             | I/O       | Switch #1 Position 3 Signal Line |
| 3    | V <sub>CC</sub> | Input     | Power Supply                     |
| 4    | 2S3             | I/O       | Switch #2 Position 3 Signal Line |
| 5    | 2S2             | I/O       | Switch #2 Position 2 Signal Line |
| 6    | 2S1             | I/O       | Switch #2 Position 1 Signal Line |
| 7    | IN2             | Input     | Bit 1 Control Input Select Line  |
| 8    | COM2            | I/O       | Switch #2 Common Signal Line     |
| 9    | GND             | Input     | Ground                           |
| 10   | COM1            | I/O       | Switch #1 Common Signal Line     |
| 11   | IN1             | Input     | Bit 0 Control Input Select Line  |
| 12   | 1S1             | I/O       | Switch #1 Position 1 Signal Line |

[www.BDTIC.com/ON](http://www.BDTIC.com/ON)

FUNCTION TABLE

| IN1 [0] | IN2 [1] | COM1 Closed to: | COM2 Closed to: |
|---------|---------|-----------------|-----------------|
| 0       | 0       | No Connect      | No Connect      |
| 1       | 0       | 1S1             | 2S1             |
| 0       | 1       | 1S2             | 2S2             |
| 1       | 1       | 1S3             | 2S3             |

**OPERATING CONDITIONS**

**MAXIMUM RATINGS**

| Symbol              | Pins             | Parameter                        | Value                         | Condition      | Unit |
|---------------------|------------------|----------------------------------|-------------------------------|----------------|------|
| V <sub>CC</sub>     | V <sub>CC</sub>  | Positive DC Supply Voltage       | -0.5 to +5.5                  |                | V    |
| V <sub>IS</sub>     | 1Sx, 2Sx         | Analog Signal Voltage            | -0.5 to V <sub>CC</sub> + 0.3 |                | V    |
|                     | COMx             |                                  | -0.5 to 5.3                   |                |      |
| V <sub>IN</sub>     | IN1, IN2         | Control Input Voltage            | -0.5 to 4.6                   |                | V    |
| I <sub>CC</sub>     | V <sub>CC</sub>  | Positive DC Supply Current       | 50                            |                | mA   |
| I <sub>IS_CON</sub> | 1Sx, 2Sx<br>COMx | Analog Signal Continuous Current | ± 300                         | Closed Switch  | mA   |
| I <sub>IS_PK</sub>  | 1Sx, 2Sx<br>COMx | Analog Signal Peak Current       | ± 500                         | 10% Duty Cycle | mA   |
| I <sub>IN</sub>     | IN1, IN2         | Control Input Current            | ± 20                          |                | mA   |
| T <sub>STG</sub>    |                  | Storage Temperature Range        | -65 to 150                    |                | °C   |

Stresses exceeding Maximum Ratings may damage the device. Maximum Ratings are stress ratings only. Functional operation above the Recommended Operating Conditions is not implied. Extended exposure to stresses above the Recommended Operating Conditions may affect device reliability.

**RECOMMENDED OPERATING CONDITIONS**

| Symbol          | Pins            | Parameter                   | Value                  | Condition | Unit |
|-----------------|-----------------|-----------------------------|------------------------|-----------|------|
| V <sub>CC</sub> | V <sub>CC</sub> | Positive DC Supply Voltage  | 1.65 to 4.5            |           | V    |
| V <sub>IS</sub> | 1Sx, 2Sx        | Analog Signal Voltage       | GND to V <sub>CC</sub> |           | V    |
|                 | COMx            |                             | GND to 4.5             |           |      |
| V <sub>IN</sub> | IN1, IN2        | Control Input Voltage       | GND to V <sub>CC</sub> |           | V    |
| T <sub>A</sub>  |                 | Operating Temperature Range | -40 to 85              |           | °C   |

Minimum and maximum values are guaranteed through test or design across the **Recommended Operating Conditions**, where applicable. Typical values are listed for guidance only and are based on the particular conditions listed for each section, where applicable. These conditions are valid for all values found in the characteristics tables unless otherwise specified in the test conditions.

**ESD PROTECTION**

| Pins     | Description      | Minimum Voltage |
|----------|------------------|-----------------|
| All Pins | Human Body Model | 3 kV            |

# NLAS8252

## DC ELECTRICAL CHARACTERISTICS

### CONTROL INPUT (TYPICAL: T = 25°C; V<sub>CC</sub> = 3.3 V)

| Symbol          | Pins | Parameter             | Test Conditions       | V <sub>CC</sub>         | Min                  | Typ | Max               | Unit |
|-----------------|------|-----------------------|-----------------------|-------------------------|----------------------|-----|-------------------|------|
| V <sub>IH</sub> | INx  | Control Input High    | Figures 2             | 2.7 V<br>3.3 V<br>4.2 V | 1.25<br>1.35<br>1.50 |     |                   | V    |
| V <sub>IL</sub> | INx  | Control Input Low     | Figures 2             | 2.7 V<br>3.3 V<br>4.2 V |                      |     | 0.4<br>0.4<br>0.5 | V    |
| I <sub>IN</sub> | INx  | Control Input Leakage | V <sub>IS</sub> = GND |                         |                      |     | ± 1.0             | μA   |

### SUPPLY CURRENT AND LEAKAGE (TYPICAL: T = 25°C; V<sub>CC</sub> = 3.3 V, V<sub>IN</sub> = V<sub>CC</sub> or GND)

| Symbol                   | Pins            | Parameter         | Test Conditions   | V <sub>CC</sub> | Min | Typ | Max   | Unit |
|--------------------------|-----------------|-------------------|---|-----------------|-----|-----|-------|------|
| I <sub>NO/NC</sub> (OFF) | NC, NO          | OFF State Leakage | V <sub>COM</sub> = 3.6 V<br>V <sub>NC</sub> = 1.0 V           |                 |     |     | ± 1.0 | μA   |
| I <sub>COM</sub> (ON)    | COM             | ON State Leakage  |   |                 |     |     | ± 1.0 | μA   |
| I <sub>CC</sub>          | V <sub>CC</sub> | Quiescent Supply  | V <sub>IS</sub> = V <sub>CC</sub> or GND, I <sub>D</sub> = 0; |                 |     |     | 1.0   | μA   |
| I <sub>OFF</sub>         |                 | Power OFF Leakage | V <sub>IS</sub> = GND   |                 |     |     | 1.0   | μA   |

### ON RESISTANCE (TYPICAL: T = 25°C; V<sub>CC</sub> = 3.3 V)

| Symbol            | Pins          | Parameter                | Test Conditions   | V <sub>CC</sub>         | Min | Typ           | Max               | Unit |
|-------------------|---------------|--------------------------|---|-------------------------|-----|---------------|-------------------|------|
| R <sub>ON</sub>   | 1Sx, 2Sx COMx | ON Resistance            | I <sub>ON</sub> = -8 mA, V <sub>IS</sub> = 0 to V <sub>CC</sub> ; | 2.7 V<br>3.3 V<br>4.2 V |     | 5<br>4<br>3.5 | 6<br>5<br>4.5     | Ω    |
| R <sub>FLAT</sub> | 1Sx, 2Sx COMx | R <sub>ON</sub> Flatness | I <sub>ON</sub> = -8 mA, V <sub>IS</sub> = 0 to V <sub>CC</sub> ; | 2.7 V<br>3.3 V<br>4.2 V |     |               | 1.3<br>1.4<br>1.6 | Ω    |
| ΔR <sub>ON</sub>  | 1Sx, 2Sx COMx | R <sub>ON</sub> Matching | I <sub>ON</sub> = -8 mA, V <sub>IS</sub> = 0 to V <sub>CC</sub> ; | 2.7 V<br>3.3 V<br>4.2 V |     | 0.35          |                   | Ω    |

AC ELECTRICAL CHARACTERISTICS

TIMING/FREQUENCY (TYPICAL: T = 25°C; V<sub>CC</sub> = 3.3 V, R<sub>L</sub> = 50 Ω, C<sub>L</sub> = 5 pF, f = 1 MHz)

| Symbol           | Pins                      | Parameter                 | Test Conditions                      | Min | Typ  | Max | Unit |
|------------------|---------------------------|---------------------------|--------------------------------------|-----|------|-----|------|
| BW               |                           | -3 dB Bandwidth           |                                      |     | 200  |     | MHz  |
| THD              |                           | Total Harmonic Distortion | 20 Hz to 20 kHz, 1.0 V <sub>PP</sub> |     | 0.01 |     | %    |
| t <sub>ON</sub>  | 1Sx to 1Sy,<br>2Sx to 2Sy | Turn On Time              |                                      |     | 13   | 30  | nS   |
| t <sub>OFF</sub> | 1Sy to 1Sx,<br>2Sy to 2Sx | Turn Off Time             |                                      |     | 12   | 25  | nS   |
| t <sub>BBM</sub> | 1Sx to 1Sy,<br>2Sx to 2Sy | Break Before Make         |                                      | 2.0 |      |     | nS   |

CROSSTALK: (TYPICAL: T = 25°C; V<sub>CC</sub> = 3.3V, R<sub>L</sub> = 50 Ω, C<sub>L</sub> = 35 pF, f = 1MHz)

| Symbol            | Pins         | Parameter            | Test Conditions     | Min | Typ | Max | Unit |
|-------------------|--------------|----------------------|---------------------|-----|-----|-----|------|
| O <sub>IRR</sub>  | 1Sx or 2Sx   | Off Isolation        | V <sub>IN</sub> = 0 |     | -60 |     | dB   |
| X <sub>talk</sub> | COMx to COMy | Non-Adjacent Channel |                     |     | -60 |     | dB   |

CAPACITANCE (TYPICAL: T = 25°C; V<sub>CC</sub> = 3.3V, R<sub>L</sub> = 50 Ω, C<sub>L</sub> = 5 pF, f = 1 MHz)

| Symbol           | Pins                 | Parameter       | Test Conditions                                | Min | Typ | Max | Unit |
|------------------|----------------------|-----------------|--|-----|-----|-----|------|
| C <sub>IN</sub>  | INx                  | Control Input   | V <sub>CC</sub> = 0 V                          |     | 3   |     | pF   |
| C <sub>ON</sub>  | 1Sx or 2Sx<br>to COM | Through Switch  | V <sub>CC</sub> = 3.3 V, V <sub>IN</sub> = 0 V |     | 16  | 20  | pF   |
| C <sub>OFF</sub> | 1Sx, 2Sx COMx        | Unselected Port | V <sub>CC</sub> = V <sub>IN</sub> = 3.3 V      |     | 3   |     | pF   |

www.BDTIC.com/ON

# NLAS8252

## Detailed Description

The NLAS8252 is a DP3T switch designed for applications where a single USB connector is used for multiple data applications within a portable system. Two differential signals from a USB connector can be routed to 3 different end locations. The first, channel 1, is optimized for a full speed, USB 2.0 transceiver. The second and third, channels 2 and 3, are optimized for UART or remote data applications.

switch, a signal can pass from the common pin to any of three terminals. Whenever COM1 is closed to terminal 1S2, COM2 will respectively be closed to terminal 2S2. The select logic is controlled by two inputs, IN1 and IN2, connecting the common pins to the terminals according to the function table found on page 2. Since there are four possible control states but only 3 possible terminals, the first combination results in a open connection for all three terminals.

## Control Inputs Select Logic

The NLAS8252 is made up of two, 3-throw switches operating off of the same internal enable signal. For each

## V<sub>IH</sub> and V<sub>IL</sub> Levels

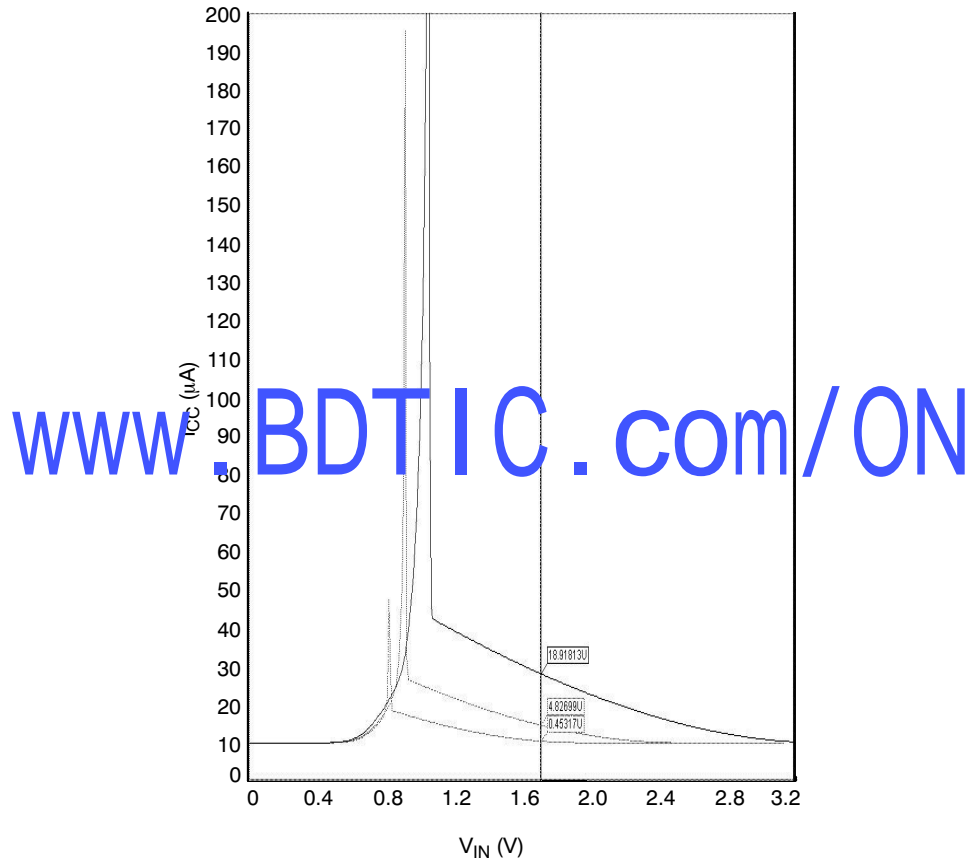


Figure 2. I<sub>CC</sub> Leakage Current vs. V<sub>IN</sub>

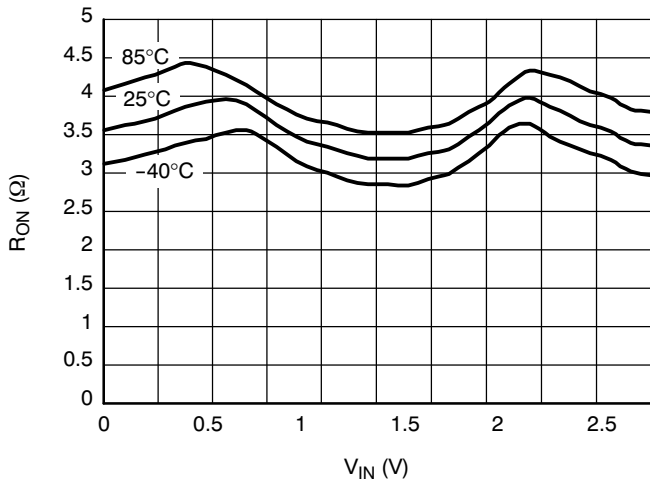


Figure 3. On-Resistance vs. Input Voltage @  $V_{CC} = 2.7\text{ V}$

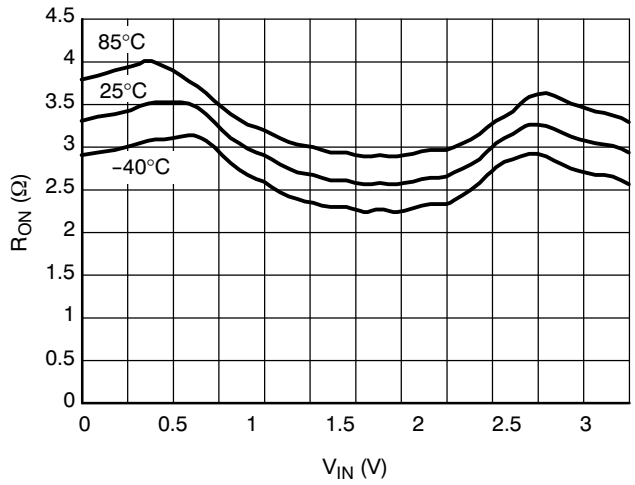


Figure 4. On-Resistance vs. Input Voltage @  $V_{CC} = 3.3\text{ V}$

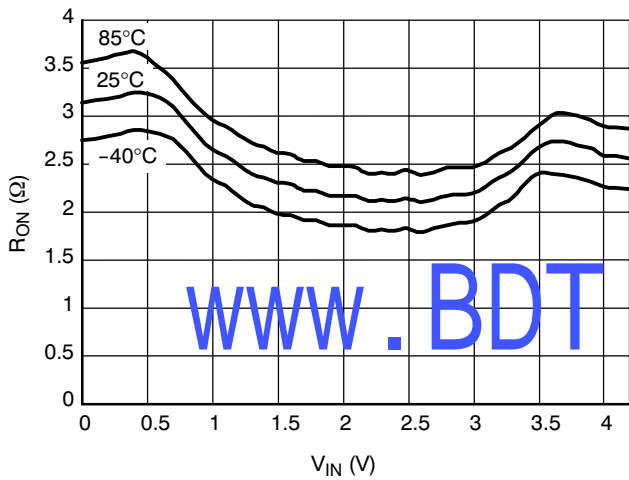


Figure 5. On-Resistance vs. Input Voltage @  $V_{CC} = 4.2\text{ V}$

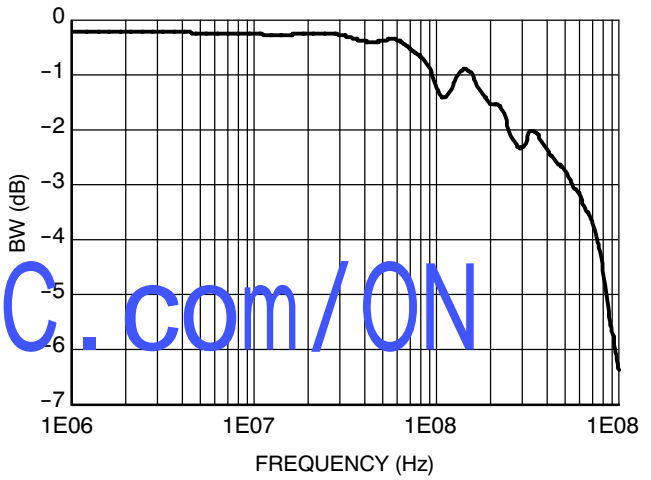


Figure 6. Bandwidth vs. Frequency

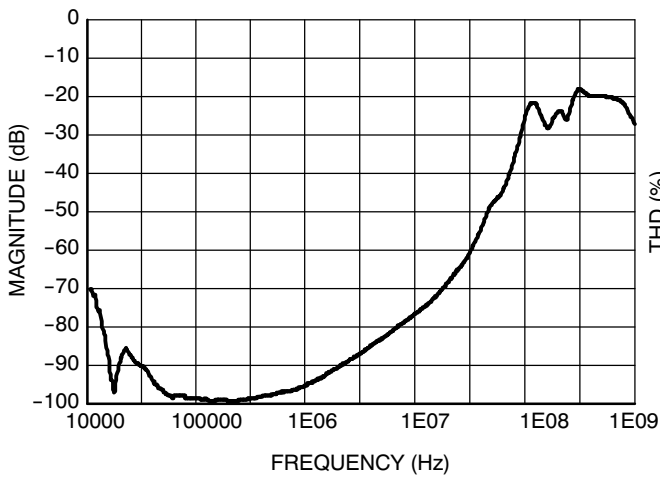


Figure 7. Cross Talk vs. Frequency @  $25^\circ\text{C}$

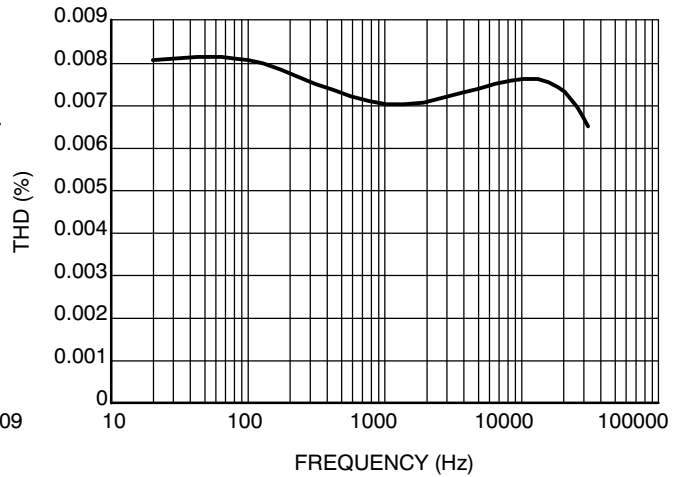
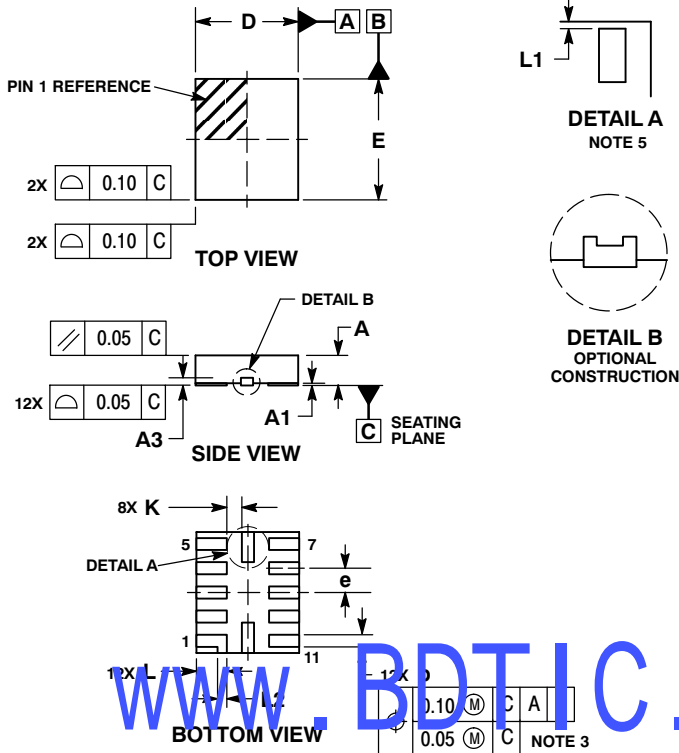


Figure 8. Total Harmonic Distortion vs. Frequency

# NLAS8252

## PACKAGE DIMENSIONS

UQFN12 1.7x2.0, 0.4P  
CASE 523AE-01  
ISSUE A

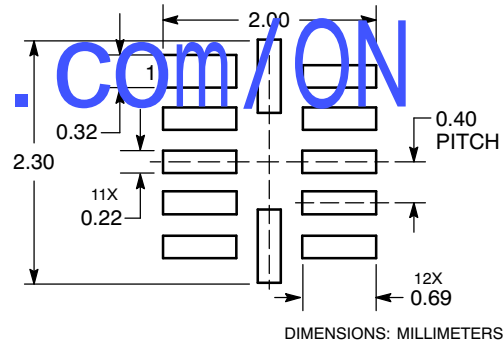


**NOTES:**

1. DIMENSIONING AND TOLERANCING PER ASME Y14.5M, 1994.
2. CONTROLLING DIMENSION: MILLIMETERS
3. DIMENSION b APPLIES TO PLATED TERMINAL AND IS MEASURED BETWEEN 0.15 AND 0.30 MM FROM TERMINAL TIP.
4. MOLD FLASH ALLOWED ON TERMINALS ALONG EDGE OF PACKAGE. FLASH 0.03 MAX ON BOTTOM SURFACE OF TERMINALS.
5. DETAIL A SHOWS OPTIONAL CONSTRUCTION FOR TERMINALS.

| DIM | MILLIMETERS |      |
|-----|-------------|------|
|     | MIN         | MAX  |
| A   | 0.45        | 0.55 |
| A1  | 0.00        | 0.05 |
| A3  | 0.127 REF   |      |
| b   | 0.15        | 0.25 |
| D   | 1.70 BSC    |      |
| E   | 2.00 BSC    |      |
| e   | 0.40 BSC    |      |
| K   | 0.20        | ---- |
| L   | 0.45        | 0.55 |
| L1  | 0.00        | 0.03 |
| L2  | 0.15 REF    |      |

**MOUNTING FOOTPRINT  
SOLDERMASK DEFINED**



\*For additional information on our Pb-Free strategy and soldering details, please download the ON Semiconductor Soldering and Mounting Techniques Reference Manual, SOLDERRM/D.

ON Semiconductor and are registered trademarks of Semiconductor Components Industries, LLC (SCILLC). SCILLC reserves the right to make changes without further notice to any products herein. SCILLC makes no warranty, representation or guarantee regarding the suitability of its products for any particular purpose, nor does SCILLC assume any liability arising out of the application or use of any product or circuit, and specifically disclaims any and all liability, including without limitation special, consequential or incidental damages. "Typical" parameters which may be provided in SCILLC data sheets and/or specifications can and do vary in different applications and actual performance may vary over time. All operating parameters, including "Typicals" must be validated for each customer application by customer's technical experts. SCILLC does not convey any license under its patent rights nor the rights of others. SCILLC products are not designed, intended, or authorized for use as components in systems intended for surgical implant into the body, or other applications intended to support or sustain life, or for any other application in which the failure of the SCILLC product could create a situation where personal injury or death may occur. Should Buyer purchase or use SCILLC products for any such unintended or unauthorized application, Buyer shall indemnify and hold SCILLC and its officers, employees, subsidiaries, affiliates, and distributors harmless against all claims, costs, damages, and expenses, and reasonable attorney fees arising out of, directly or indirectly, any claim of personal injury or death associated with such unintended or unauthorized use, even if such claim alleges that SCILLC was negligent regarding the design or manufacture of the part. SCILLC is an Equal Opportunity/Affirmative Action Employer. This literature is subject to all applicable copyright laws and is not for resale in any manner.

**PUBLICATION ORDERING INFORMATION**

**LITERATURE FULFILLMENT:**  
Literature Distribution Center for ON Semiconductor  
P.O. Box 5163, Denver, Colorado 80217 USA  
**Phone:** 303-675-2175 or 800-344-3860 Toll Free USA/Canada  
**Fax:** 303-675-2176 or 800-344-3867 Toll Free USA/Canada  
**Email:** orderlit@onsemi.com

**N. American Technical Support:** 800-282-9855 Toll Free USA/Canada  
**Europe, Middle East and Africa Technical Support:**  
Phone: 421 33 790 2910  
**Japan Customer Focus Center**  
Phone: 81-3-5773-3850

**ON Semiconductor Website:** [www.onsemi.com](http://www.onsemi.com)  
**Order Literature:** <http://www.onsemi.com/orderlit>  
For additional information, please contact your local Sales Representative