

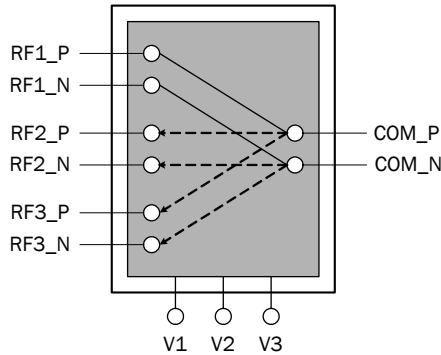


**Features**

- Broadband Frequency Performance  
Low Frequency - 3.5GHz
- Very Low Insertion Loss:  
0.3dB Typ. at 0.90GHz  
0.55dB Typ. at 1.90GHz
- Excellent Linearity Performance:  
IIP2 Typ. 103dBm at 0.90GHz  
IIP2 Typ. 100dBm at 1.90GHz
- 1.8V Capable for Low Power Applications

**Applications**

- Cellular Handset Applications
- IEEE802.11b/g WLAN Applications
- Multi-Mode GSM, W-CDMA Applications
- WLAN Applications
- SAW Filter Switching



Functional Block Diagram

**Product Description**

The RF1236 is a single-pole three-throw (SP3T) differential switch designed for general purpose switching applications which require very low insertion loss and low power signal routing applications. The RF1236 features low insertion loss, high linearity, and very good harmonic characteristics. The switch is operable from 1.8V to 3.6V control voltage. It is fabricated with 0.5µm GaAs pHEMT process and is packaged in a very compact 2.0mmx2.0mm, 12-pin, leadless QFN package.

**Ordering Information**

RF1236 Broadband Medium Power Differential SP3T Switch  
RF1236PCBA-410 Fully Assembled Evaluation Board

**Optimum Technology Matching® Applied**

- |                                      |                                      |  |                                   |
|--------------------------------------|--------------------------------------|--|-----------------------------------|
| <input type="checkbox"/> GaAs HBT    | <input type="checkbox"/> SiGe BiCMOS | <input checked="" type="checkbox"/> GaAs pHEMT | <input type="checkbox"/> GaN HEMT |
| <input type="checkbox"/> GaAs MESFET | <input type="checkbox"/> Si BiCMOS   | <input type="checkbox"/> Si CMOS               | <input type="checkbox"/> RF MEMS  |
| <input type="checkbox"/> InGaP HBT   | <input type="checkbox"/> SiGe HBT    | <input type="checkbox"/> Si BJT                | <input type="checkbox"/> LDMOS    |

RF MICRO DEVICES®, RFMD®, Optimum Technology Matching®, Enabling Wireless Connectivity™, PowerStar®, POLARIS™ TOTAL RADIO™ and UltimateBlue™ are trademarks of RFMD, LLC. BLUETOOTH is a trademark owned by Bluetooth SIG, Inc., U.S.A. and licensed for use by RFMD. All other trade names, trademarks and registered trademarks are the property of their respective owners. ©2006, RF Micro Devices, Inc.

## Absolute Maximum Ratings

Parameter	Rating	Unit
V1, V2, V3	6.0	V
Maximum Input Power (DC to 3.5GHz, 1.8V Control)	31	dBm
Operating Temperature	-30 to +85	°C
Storage Temperature	-65 to +100	°C



**Caution!** ESD sensitive device.

Exceeding any one or a combination of the Absolute Maximum Rating conditions may cause permanent damage to the device. Extended application of Absolute Maximum Rating conditions to the device may reduce device reliability. Specified typical performance or functional operation of the device under Absolute Maximum Rating conditions is not implied.

RoHS status based on EUDirective2002/95/EC (at time of this document revision).

The information in this publication is believed to be accurate and reliable. However, no responsibility is assumed by RF Micro Devices, Inc. ("RFMD") for its use, nor for any infringement of patents, or other rights of third parties, resulting from its use. No license is granted by implication or otherwise under any patent or patent rights of RFMD. RFMD reserves the right to change component circuitry, recommended application circuitry and specifications at any time without prior notice.

Parameter	Specification			Unit	Condition
	Min.	Typ.	Max.		
<b>Overall - <math>V_{control\_high} = 3V</math></b>					V1, V2, V3=High=3.0V, V1, V2, V3=Low=0V. Temp=25°C.
Operating Frequency	600		3500	MHz	
DC Supply	1.8	3.0	3.6	V	V1, V2, V3 (H)
	0.00		0.40	V	V1, V2, V3 (L)
Control Current		0.4	6	uA	
Insertion Loss					
COM_P - RF1P, RF2P, RF3P COM_N - RF1N, RF2N, RF3N		0.30	0.47	dB	RF ON, 824MHz to 960MHz;
		0.55	0.70	dB	RF ON, 1850MHz to 1990MHz
		0.64	1.2	dB	RF ON, 2170MHz to 2500MHz
		0.73	1.35	dB	RF ON, 2500MHz to 3500MHz
Isolation					
RF1P - RF2P, RF3P RF1N - RF2N, RF3N	25.5	27.0		dB	RF ON, 824MHz to 960MHz
	20	21		dB	RF ON, 1850MHz to 1990MHz
	18.0	19.5		dB	RF ON, 2170MHz to 2500MHz
	15.5	18.0		dB	RF ON, 2500MHz to 3500MHz
COM_P - RF2P, RF3P COM_N - RF1N, RF2N, RF3N	25	27		dB	RF ON, 824MHz to 960MHz
	19.5	21.0		dB	RF ON, 1850MHz to 1990MHz
	18	19		dB	RF ON, 2170MHz to 2500MHz
	15.0	17.5		dB	RF ON, 2500MHz to 3500MHz
RF Port Return Loss			1.5:1		VSWR
Second Harmonic	62	93		dBc	$P_{IN} = 16\text{ dBm}$ ; $F_0 = 880\text{ MHz}$
	62	88		dBc	$P_{IN} = 16\text{ dBm}$ ; $F_0 = 1880\text{ MHz}$
	62	84		dBc	$P_{IN} = 16\text{ dBm}$ ; $F_0 = 2500\text{ MHz}$
Third Harmonic	62	97.5		dBc	$P_{IN} = 16\text{ dBm}$ ; $F_0 = 880\text{ MHz}$
	62	97		dBc	$P_{IN} = 16\text{ dBm}$ ; $F_0 = 1880\text{ MHz}$
	62	94		dBc	$P_{IN} = 16\text{ dBm}$ ; $F_0 = 2500\text{ MHz}$

Parameter	Specification			Unit	Condition
	Min.	Typ.	Max.		
<b>Overall - <math>V_{control\_high} = 3V</math> (continued)</b>					V1, V2, V3=High=3.0V, V1, V2, V3=Low=0V. Temp=25 °C.
<b>IIP2</b>					
RF1, RF2, RF3-COM (Cell)		103		dBm	Tone 1: 836.5MHz at 16dBm, Tone 2: 1718MHz at -20dBm, Receive Freq: 881.5MHz
RF1, RF2, RF3-COM (AWS)		100		dBm	Tone 1: 1732.5MHz at 16dBm, Tone 2: 3865MHz at -20dBm, Receive Freq: 2132.5MHz
RF2, RF3-COM (PCS)		100		dBm	Tone 1: 1880MHz at 16dBm, Tone 2: 3840MHz at -20dBm, Receive Freq: 1960MHzRF1,
<b>IIP3</b>					
RF1, RF2, RF3-COM (Cell)		68		dBm	Tone 1: 836.5MHz at 16dBm, Tone 2: 791.5MHz at -20dBm, Receive Freq: 881.5MHz
RF1, RF2, RF3-COM (IMT)		66		dBm	Tone 1: 1950MHz at 16dBm, Tone 2: 1760MHz at -20dBm, Receive Freq: 2140MHz
IPO.1 dB		26		dBm	
Switching Speed		0.27		μs	50% control to 90% RFON
		0.40		μs	50% control to 10% RFOFF
<b>Overall - <math>V_{control\_low} = 1.8V</math></b>					V1, V2, V3=High=1.8V, V1, V2, V3=Low=0V. Temp=25 °C.
Operating Frequency	600		3500	MHz	
<b>Insertion Loss</b>					
COM_P - RF1P, RF2P, RF3P COM_N - RF1N, RF2N, RF3N		0.30	0.45	dB	RF ON, 824MHz to 960MHz
		0.57	0.73	dB	RF ON, 1850MHz to 1990MHz
		0.65	1.2	dB	RF ON, 2170MHz to 2500MHz
		0.75	1.35	dB	RF ON, 2500MHz to 3500MHz
<b>Isolation</b>					
RF1P - RF2P, RF3P RF1N - RF2N, RF3N	25	27		dB	RF ON, 824MHz to 960MHz
	19.5	21.0		dB	RF ON, 1850MHz to 1990MHz
	18	19		dB	RF ON, 2170MHz to 2500MHz
	15.5	17.5		dB	RF ON, 2500MHz to 3500MHz
COM_P - RF1P, RF2P, RF3P COM_N - RF1N, RF2N, RF3N	25.0	26.5		dB	RF ON, 824MHz to 960MHz
	19.0	20.5		dB	RF ON, 1850MHz to 1990MHz
	18	19		dB	RF ON, 2170MHz to 2500MHz
	15.0	17.5		dB	RF ON, 2500MHz to 3500MHz
RF Port Return Loss			1.5:1		VSWR

Parameter	Specification			Unit	Condition
	Min.	Typ.	Max.		
<b>Overall - <math>V_{\text{control\_low}} = 1.8\text{V}</math></b> (continued)					$V_1, V_2, V_3 = \text{High} = 1.8\text{V}$ , $V_1, V_2, V_3 = \text{Low} = 0\text{V}$ . Temp = 25°C.
Second Harmonic	62	78		dBc	$P_{\text{IN}} = 16\text{dBm}$ ; $F_0 = 880\text{MHz}$
	62	78		dBc	$P_{\text{IN}} = 16\text{dBm}$ ; $F_0 = 1880\text{MHz}$
	62	74		dBc	$P_{\text{IN}} = 16\text{dBm}$ ; $F_0 = 2500\text{MHz}$
Third Harmonic	62	68		dBc	$P_{\text{IN}} = 16\text{dBm}$ ; $F_0 = 880\text{MHz}$
	62	75		dBc	$P_{\text{IN}} = 16\text{dBm}$ ; $F_0 = 1880\text{MHz}$
	62	68		dBc	$P_{\text{IN}} = 16\text{dBm}$ ; $F_0 = 2500\text{MHz}$
<b>IIP2</b>					
RF1, RF2, RF3-COM (Cell)		83		dBm	Tone 1: 836.5MHz at 16dBm, Tone 2: 1718MHz at -20dBm, Receive Freq: 881.5MHz
RF1, RF2, RF3-COM (AWS)		82		dBm	Tone 1: 1732.5MHz at 16dBm, Tone 2: 3865MHz at -20dBm, Receive Freq: 2132.5MHz
RF1, RF2, RF3-COM (PCS)		83		dBm	Tone 1: 1880MHz at 16dBm, Tone 2: 3840MHz at -20dBm, Receive Freq: 1960MHz
<b>IIP3</b>					
RF1, RF2, RF3-COM (Cell)		46		dBm	Tone 1: 836.5MHz at 16dBm, Tone 2: 791.5MHz at -20dBm, Receive Freq: 881.5MHz
RF1, RF2, RF3-COM (IMT)		46		dBm	Tone 1: 1950MHz at 16dBm, Tone 2: 1760MHz at -20dBm, Receive Freq: 2140MHz
IPO.1dB		19.5		dBm	
Switching Speed		0.34		μs	50% Control to 90% RFON
		1.16		μs	50% Control to 90% RFOFF

## Control Logic

	Control Signals			Signal Paths		
	VC1	VC2	VC3	RF1N - COM_N RF1P - COM_P	RF2P - COM_P, RF2P - COM_P	RF3N - COM_N, RF3P - COM_P
Valid States	1	0	0	ON	OFF	OFF
	0	1	0	OFF	ON	OFF
	0	0	1	OFF	OFF	ON
Invalid States	0	0	0	Indeterminate State*		
	0	1	1	Indeterminate State*		
	1	0	1	Indeterminate State*		
	1	1	0	Indeterminate State*		
	1	1	1	Indeterminate State*		

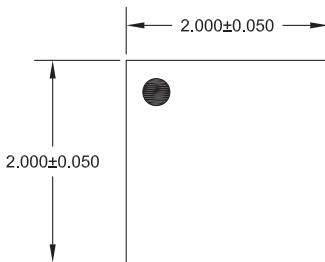
0: Logic level low, 0V~0.4V

1: Logic level high, 1.6V~3.6V

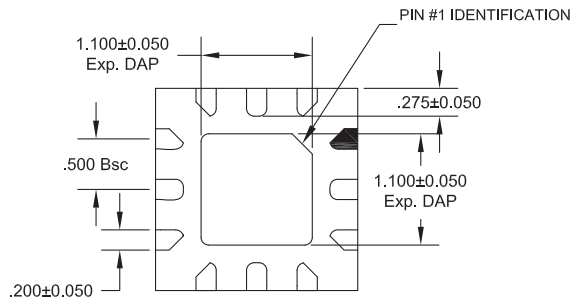
Note: In indeterminate states, both signal paths are ON with degraded performance.

Pin	Function	Description
1	RF1_P	Positive RF Port 1.
2	RF1_N	Negative RF Port 1.
3	VC1	Voltage Control 1.
4	VC3	Voltage Control 3.
5	RF3_N	Negative RF Port 3.
6	RF3_P	Positive RF Port 3.
7	VC2	Voltage Control 2.
8	RF2_N	Negative RF Port 2.
9	RF2_P	Positive RF Port 2.
10	COM_P	Positive Common Port.
11	GND	Ground.
12	COM_N	Negative Common Port.

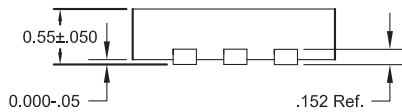
**Package Drawing**



TOP VIEW



BOTTOM VIEW

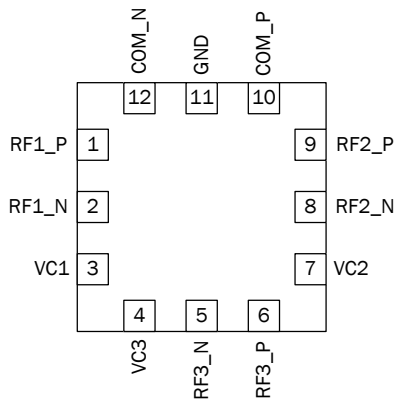


SIDE VIEW

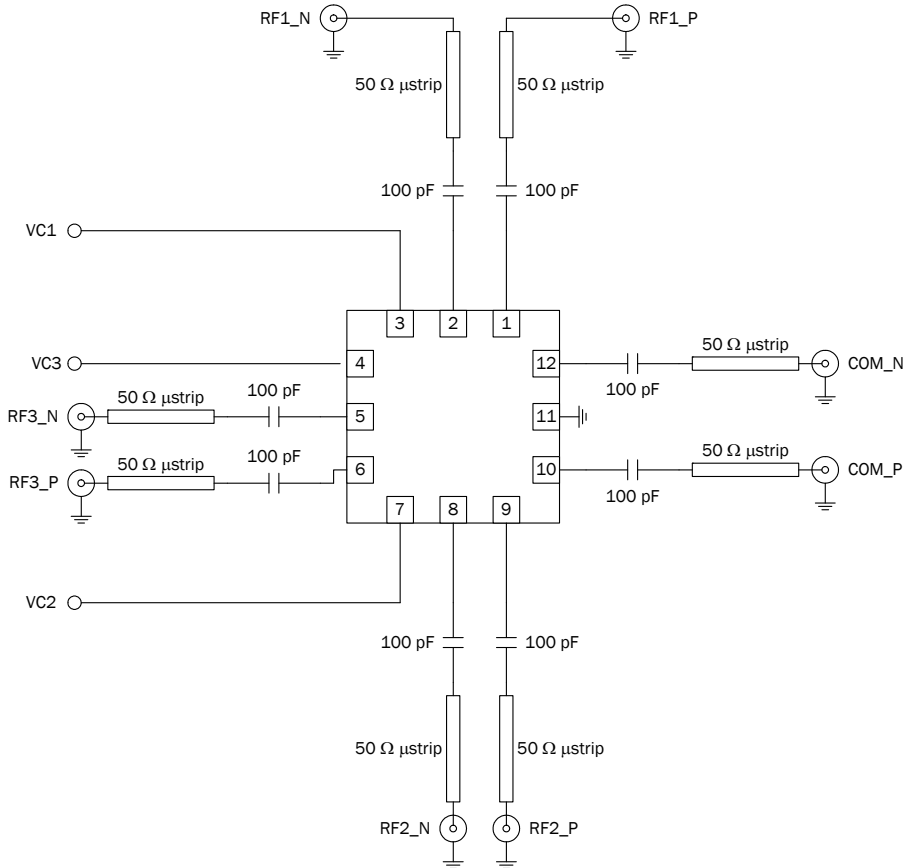
Notes:

- 1) Pin 1 Shaded Area

## Pin Out

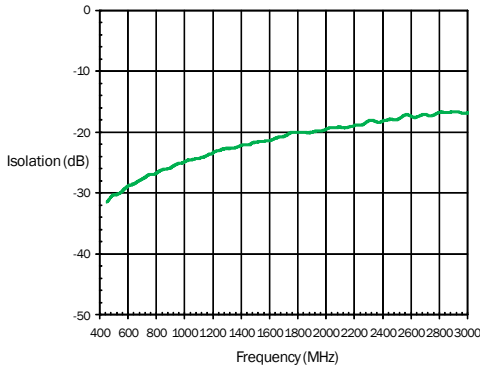


**Application Schematic**

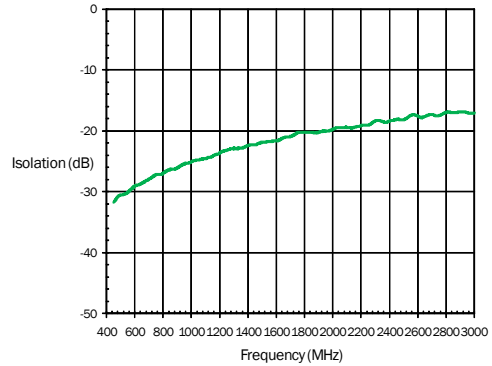


## Typical Performance

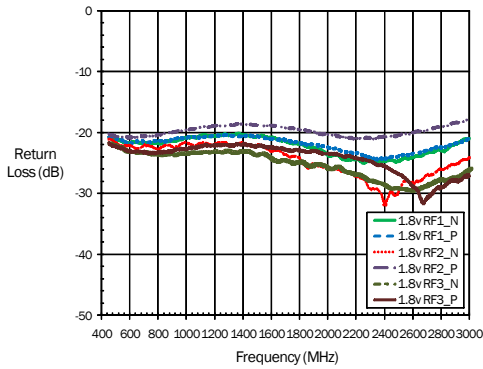
Isolation  
(Temp=25 °C, VRF=1.8V)



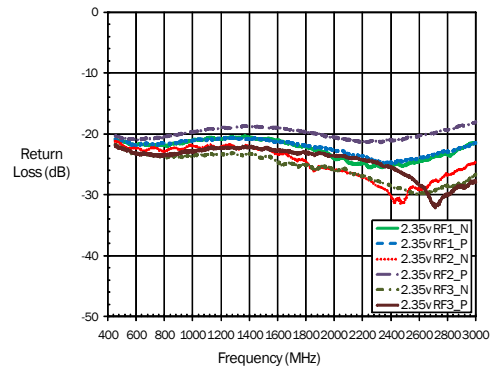
Isolation  
(Temp=25 °C, VRF=2.35V)



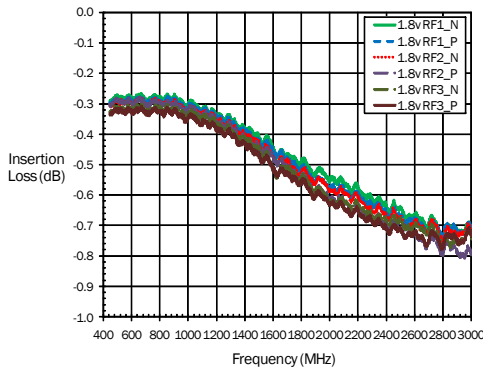
Ant Port Return Loss  
(Temp=25 °C, VRF=1.8V)



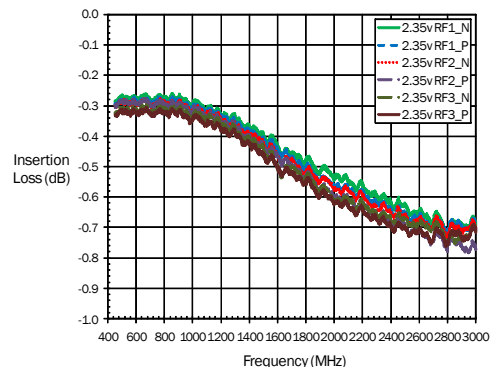
Ant Port Return Loss  
(Temp=25 °C, VRF=2.35V)



Max Insertion Loss  
(Temp=25 °C, VRF=1.8V)



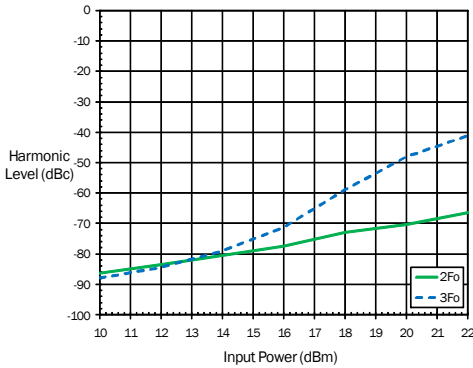
Max Insertion Loss  
(Temp=25 °C, VRF=2.35V)



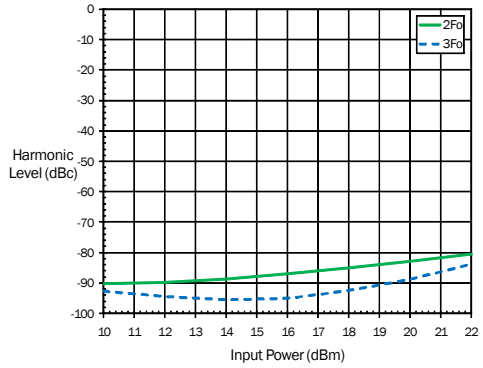


**Typical Performance**

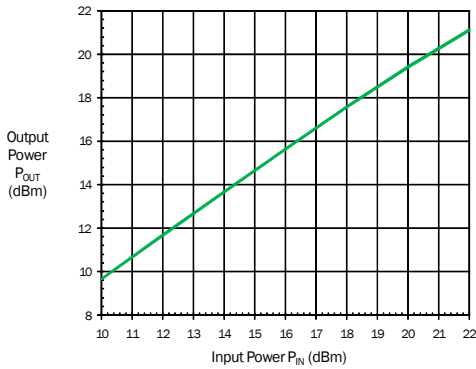
**Harmonics**  
(Temp=25 °C,  $F_0=1880\text{MHz}$ , VRF=1.8V)



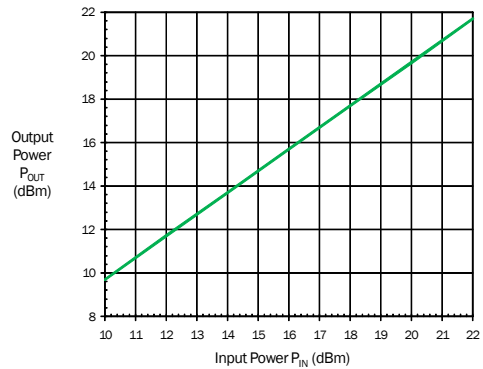
**Harmonics**  
(Temp=25 °C,  $F_0=1880\text{MHz}$ , VRF=2.35V)



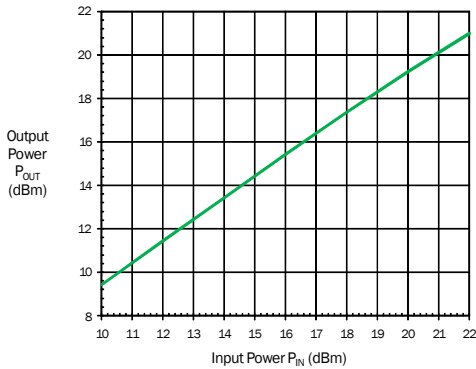
**Output Power versus Input Power**  
(Temperature=25 °C, Frequency=880MHz, VRF=1.8V)



**Output Power versus Input Power**  
(Temperature=25 °C, Frequency=880MHz, VRF=2.35V)



**Output Power versus Input Power**  
(Temperature=25 °C, Frequency=1880MHz, VRF=1.8V)



**Output Power versus Input Power**  
(Temperature=25 °C, Frequency=1880MHz, VRF=2.35V)

