

Package: QFN, 32-Pin, 5mm x 5mm

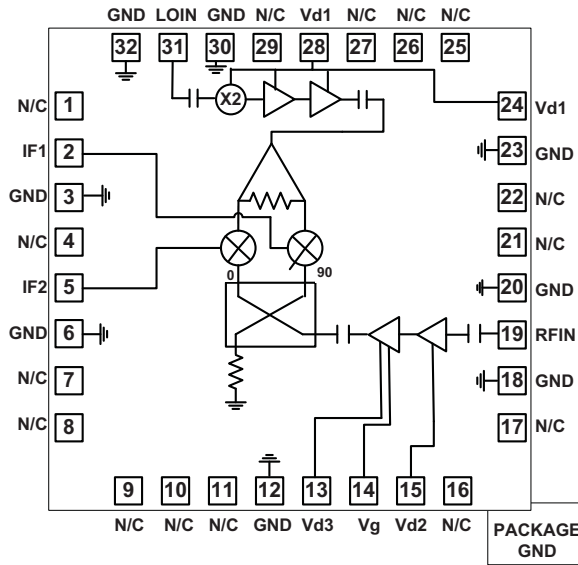


**Features**

- Integrated Variable Gain LNA, Image Rejection Mixer, LO Buffer Amplifier, and x2 LO Multiplier
- 2.0dB NF
- 15dB Conversion Gain
- 25dBc Image Frequency Rejection
- -45dBc Third Order Intermodulation (IMD3)
- 0dBm Third Order Intercept (IIP3)
- DC to 4GHz IF Frequency
- No Mixer Bias Required
- Low Cost 5mmx5mm QFN Package
- 100% RF and DC Tested

**Applications**

- Point-to-Point
- VSAT



Functional Block Diagram

**Product Description**

The RFRX5932A is a 10 GHz to 16 GHz GaAs pHEMT downconverter, incorporating an integrated variable gain LNA, image rejection mixer, LO buffer amplifier, x2 LO multiplier, and DC decoupling capacitors. The device is packaged in a 5 mm x 5mm QFN to simplify both system-level board design and volume assembly. The combination of high performance and low cost packaging makes the RFRX5932A a cost effective solution, ideally suited to both current and next generation Point-to-Point and VSAT applications.

**Optimum Technology Matching® Applied**

- |                                      |                                      |  |                                    |
|--------------------------------------|--------------------------------------|--|------------------------------------|
| <input type="checkbox"/> GaAs HBT    | <input type="checkbox"/> SiGe BiCMOS | <input checked="" type="checkbox"/> GaAs pHEMT | <input type="checkbox"/> GaN HEMT  |
| <input type="checkbox"/> GaAs MESFET | <input type="checkbox"/> Si BiCMOS   | <input type="checkbox"/> Si CMOS               | <input type="checkbox"/> BiFET HBT |
| <input type="checkbox"/> InGaP HBT   | <input type="checkbox"/> SiGe HBT    | <input type="checkbox"/> Si BJT                | <input type="checkbox"/> LD MOS    |

RF MICRO DEVICES®, RFMD®, Optimum Technology Matching®, Enabling Wireless Connectivity™, PowerStar®, POLARIS™ TOTAL RADIO™ and UltimateBlue™ are trademarks of RFMD, LLC. BLUETOOTH is a trademark owned by Bluetooth SIG, Inc., U.S.A. and licensed for use by RFMD. All other trade names, trademarks and registered trademarks are the property of their respective owners. ©2006, RF Micro Devices, Inc.

## Absolute Maximum Ratings

Parameter	Rating	Unit
LNA Drain Voltage ( $V_D$ )	5	V
LOA Drain Voltage ( $V_D$ )	5	V
RF Input Power	+10	dBm
LO Input Power	+15	dBm
ESD Human Body Model	250	V
ESD Machine Model	50	V
MSL	2	



**Caution!** ESD sensitive device.

Exceeding any one or a combination of the Absolute Maximum Rating conditions may cause permanent damage to the device. Extended application of Absolute Maximum Rating conditions to the device may reduce device reliability. Specified typical performance or functional operation of the device under Absolute Maximum Rating conditions is not implied.

RoHS status based on EUDirective2002/95/EC (at time of this document revision).

The information in this publication is believed to be accurate and reliable. However, no responsibility is assumed by RF Micro Devices, Inc. ("RFMD") for its use, nor for any infringement of patents, or other rights of third parties, resulting from its use. No license is granted by implication or otherwise under any patent or patent rights of RFMD. RFMD reserves the right to change component circuitry, recommended application circuitry and specifications at any time without prior notice.

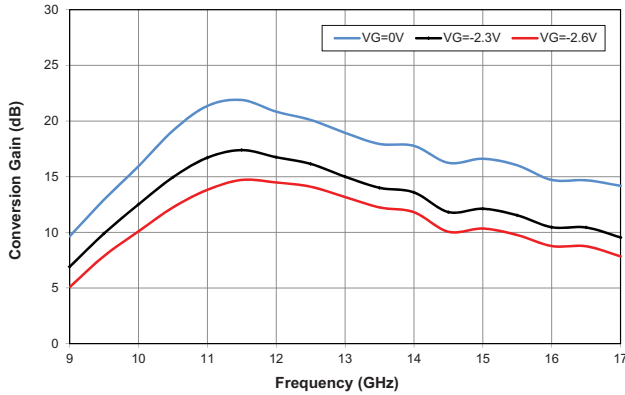
Parameter	Specification			Unit	Condition
	Min.	Typ.	Max.		
<b>10.7 GHz to 11.7 GHz Output RF Frequency</b>					
<b>RF Electrical Characteristics</b>					T=22 °C
RF Frequency	10.7		11.7	GHz	
LO Frequency	3.35		7.85	GHz	
IF Frequency	DC		4	GHz	
Conversion Gain	10	16		dB	
Noise Figure		2.5	3	dB	
Third Order Intermodulation		-35	-30	dBc	
Input Third Order Intercept		-5		dBm	
Image Rejection	20	40		dBc	
RF Input Return Loss		12		dB	
LO Input Return Loss		15		dB	
IF Input Return Loss		17		dB	
<b>DC Electrical Characteristics</b>					
LNA Bias Voltage		4		V	
LOA Bias Voltage		3.5		V	
Supply Current		110	230	mA	
Variable Gain Voltage		-2.3		V	
<b>12.7 GHz to 13.2 GHz Output RF Frequency</b>					
<b>RF Electrical Characteristics</b>					T=22 °C
RF Frequency	12.75		13.25	GHz	
LO Frequency	4.375		8.625	GHz	
IF Frequency	DC		4	GHz	
Conversion Gain	12	15		dB	
Noise Figure		2.0	3	dB	
Third Order Intermodulation		-45	-35	dBc	
Input Third Order Intercept		-1		dBm	
Image Rejection	10	25		dBc	
RF Input Return Loss		12		dB	
LO Input Return Loss		12		dB	
IF Input Return Loss		17		dB	

Parameter	Specification			Unit	Condition
	Min.	Typ.	Max.		
<b>12.7GHz to 13.2GHz Output RF Frequency (continued)</b>					
<b>DC Electrical Characteristics</b>					
LNA Bias Voltage		4		V	
LOA Bias Voltage		3.5		V	
Supply Current		110	230	mA	
Variable Gain Voltage		-2.3		V	
<b>14.4GHz to 15.3GHz Output RF Frequency</b>					
<b>RF Electrical Characteristics</b>					T=22 °C
RF Frequency	14.4		15.3		
LO Frequency	5.2		9.675	GHz	
IF Frequency	DC		4	GHz	
Conversion Gain	9	12		dB	
Noise Figure		2.5	3	dB	
Third Order Intermodulation		-50	-45	dBc	
Input Third Order Intercept		+2		dBm	
Image Rejection	10	15		dBc	
RF Input Return Loss		12		dB	
LO Input Return Loss		12		dB	
IF Input Return Loss		17		dB	
<b>DC Electrical Characteristics</b>					
LNA Bias Voltage		4		V	
LOA Bias Voltage		3.5		V	
Supply Current		110	230	mA	
Variable Gain Voltage		-2.3		V	

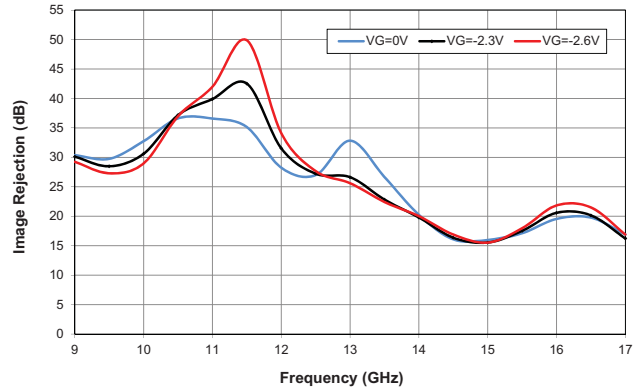
## Measurements

(IF1/IF2 ports connected to external 90° Hybrid Combiner)

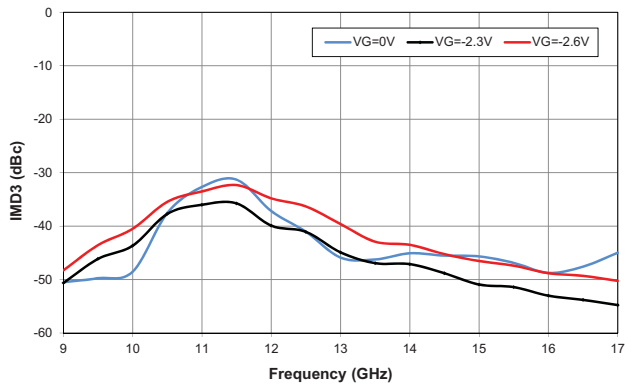
**Conversion Gain (dB) vs. RF Freq**  
 Prf=-20dBm, Plo=+10dBm, Vd\_LNA=4V, Vd\_LOA=3.5V  
 LO<RF, IF=1.35GHz



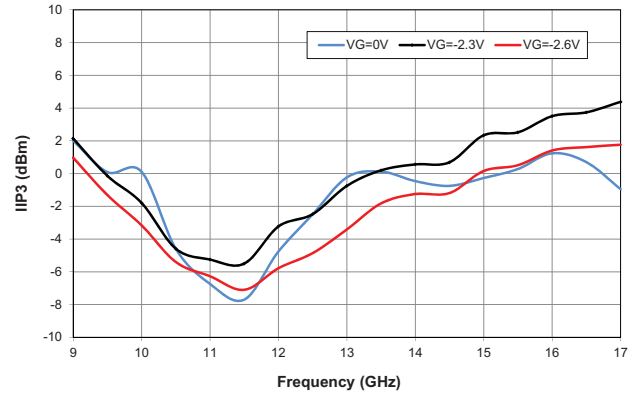
**Image Rejection (dB) vs. RF Freq**  
 Prf=-20dBm, Plo=+10dBm, Vd\_LNA=4V, Vd\_LOA=3.5V  
 LO<RF, IF=1.35GHz



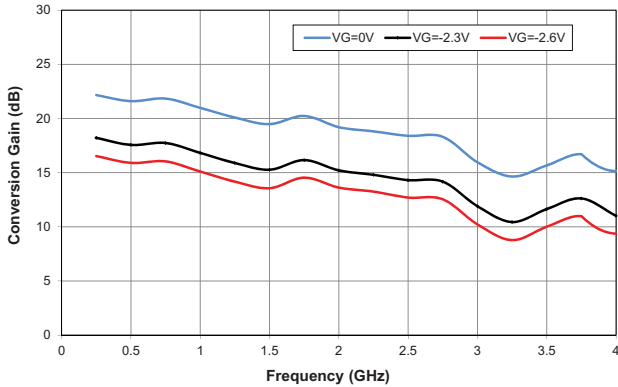
**IMD3 (dBc) vs. RF Freq**  
 Prf=-20dBm, Plo=+10dBm, Vd\_LNA=4V, Vd\_LOA=3.5V  
 LO<RF, IF=1.35GHz



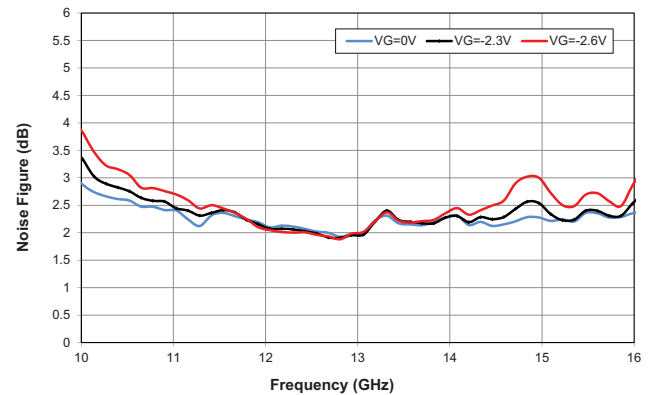
**IIP3 (dBm) vs. RF Freq**  
 Prf=-20dBm, Plo=+10dBm, Vd\_LNA=4V, Vd\_LOA=3.5V  
 LO<RF, IF=1.35GHz



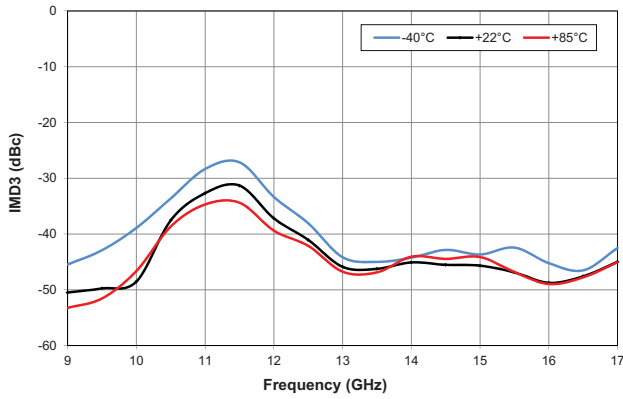
**Conversion Gain (dB) vs. IF Freq**  
 Prf=-20dBm, Plo=+10dBm, Vd\_LNA=4V, Vd\_LOA=3.5V  
 LO Freq = 6.5GHz



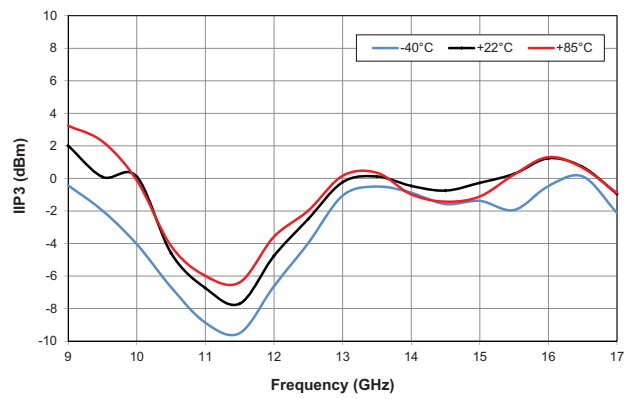
**Noise Figure (dB) vs. RF Freq**  
 Plo=+10dBm, Vd\_LNA=4V, Vd\_LOA=3.5V  
 LO<RF, IF=1.35GHz



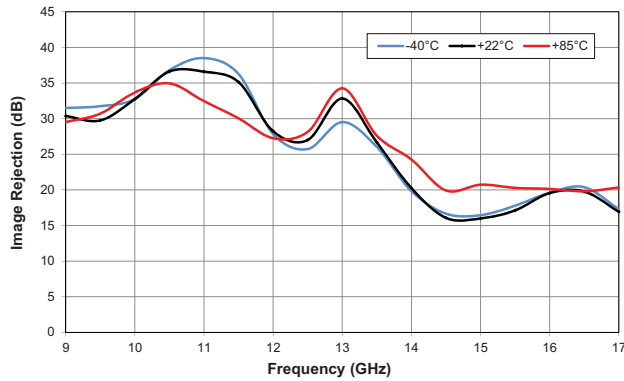
**IMD3 (dBc) vs. RF Freq, Over Temperature**  
 Prf=-20dBm, Plo=+10dBm, Vd\_LNA=4V, Vd\_LOA=3.5V, Vg=0V  
 LO<RF, IF=1.35GHz



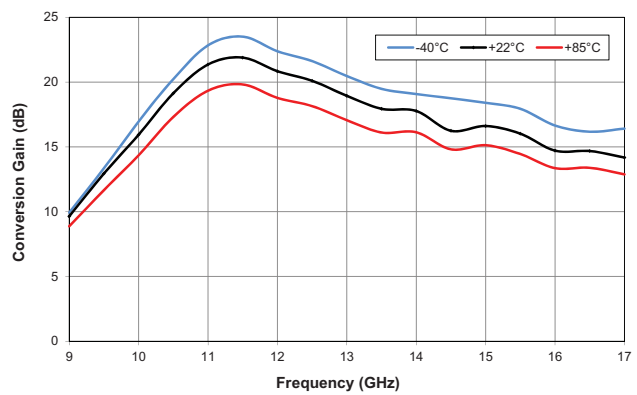
**IIP3 (dBm) vs. RF Freq, Over Temperature**  
 Prf=-20dBm, Plo=+10dBm, Vd\_LNA=4V, Vd\_LOA=3.5V, Vg=0V  
 LO<RF, IF=1.35GHz



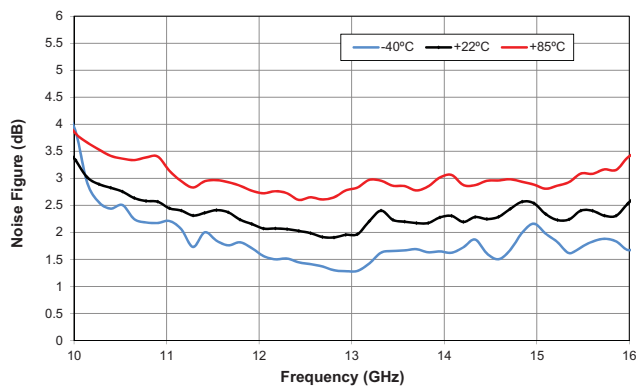
**Image Rejection (dB) vs. RF Freq, Over Temperature**  
 Prf=-20dBm, Plo=+10dBm, Vd\_LNA=4V, Vd\_LOA=3.5V, Vg=0V  
 LO<RF, IF=1.35GHz



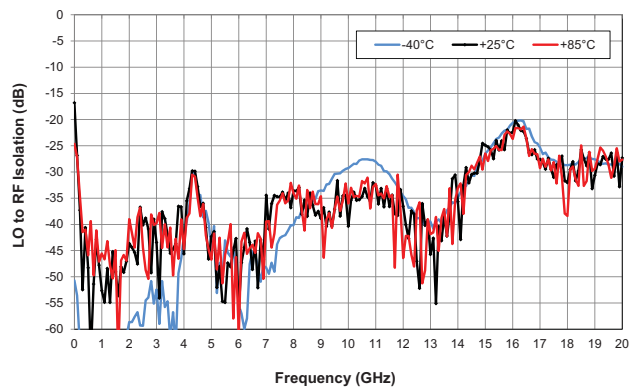
**Conversion Gain (dB) vs. RF Freq, Over Temperature**  
 Prf=-20dBm, Plo=+10dBm, Vd\_LNA=4V, Vd\_LOA=3.5V, Vmix=-0.8V  
 LO<RF, IF=1.35GHz



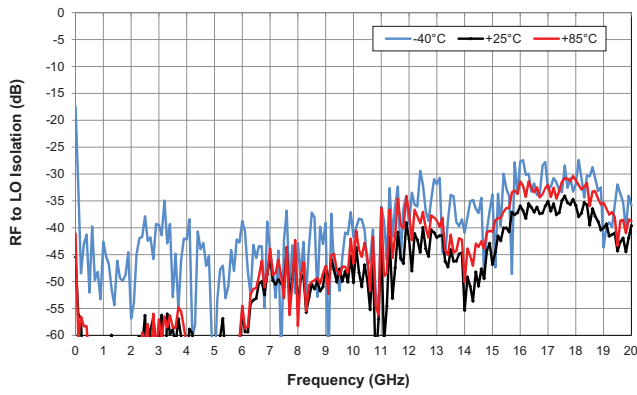
**Noise Figure (dB) vs. RF Freq, Over Temperature**  
 Plo=+10dBm, Vd\_LNA=4V, Vd\_LOA=3.5V, Vg=-2.3V  
 LO<RF, IF=1.35GHz



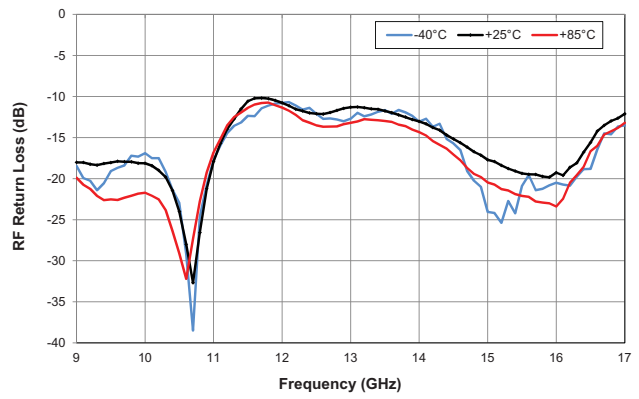
**LO to RF Isolation Over Temperature**



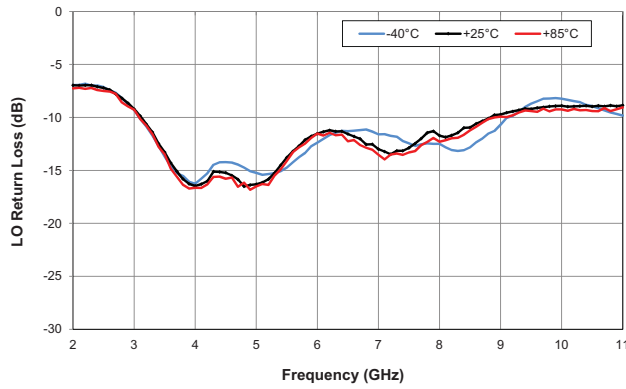
RF to LO Isolation Over Temperature



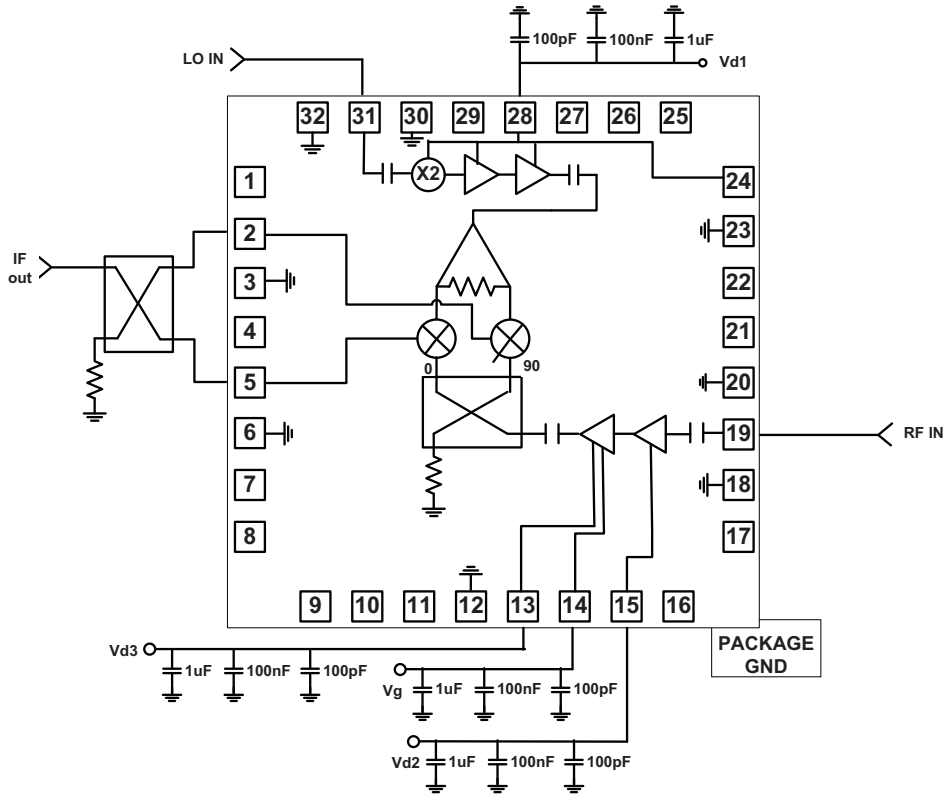
RF Return Loss Over Temperature



LO Return Loss Over Temperature



Functional Schematic

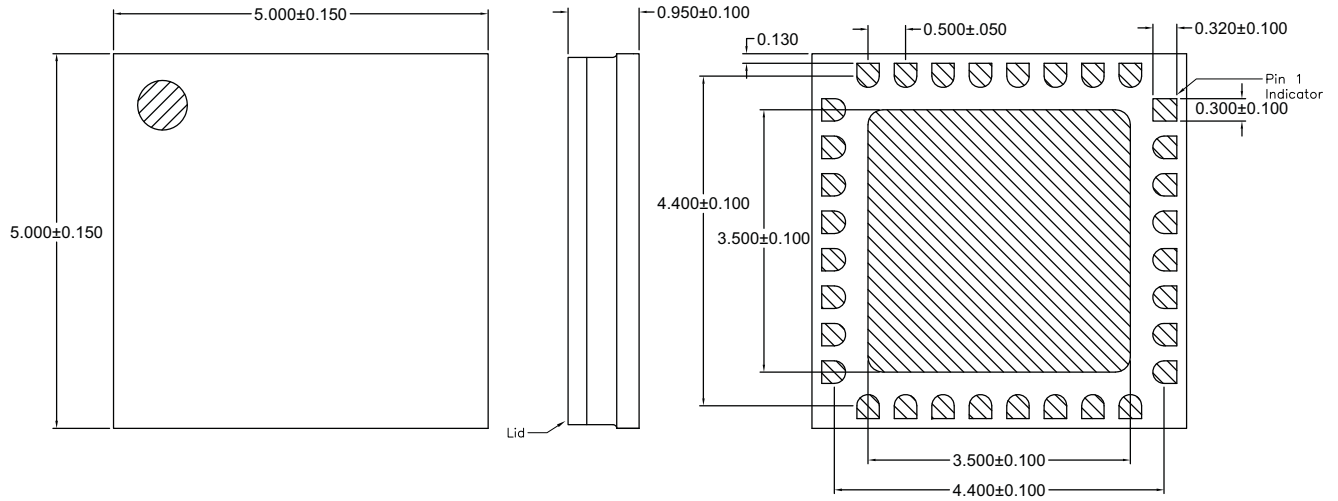


## Pin Out

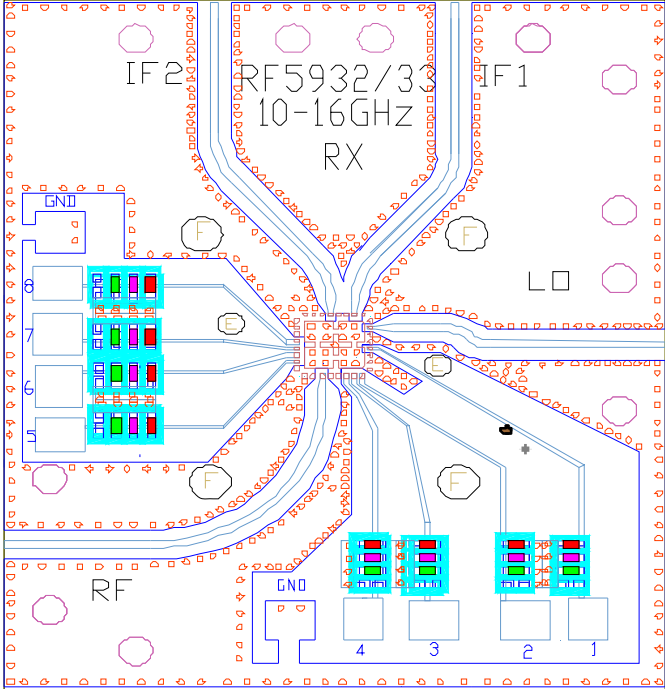
Pin	Function	Description
1	N/C	
2	IF1	
3	IF1 GND	
4	N/C	
5	IF2	
6	IF2 GND	
7	N/C	
8	N/C	
9	N/C	
10	N/C	
11	N/C	
12	GND	
13	VD2	LNA 2nd stage drain bias 4V
14	VG	Gain control -3V to 0V
15	VD1	LNA 1st stage drain bias 4V
16	N/C	
17	N/C	
18	RF GND	RF ground
19	RF IN	RF input
20	RF GND	RF ground
21	N/C	
22	GND	
23	GND	
24	VD3	LO amplifier drain bias (also connected to pin 28) 3.5V
25	N/C	
26	N/C	
27	N/C	
28	OPTIONAL	Connected to Pin 24 (LO amplifier drain bias) 3.5V
29	N/C	
30	LO GND	LO ground
31	LO IN	LO input
32	LO GND	LO ground



**Package Drawing**  
(All dimension in mm)



## Evaluation Board Layout



Color	0402 Capacitors
Green	1 $\mu$ F Capacitor
Magenta	100nF Capacitor
Red	10000pF Capacitor

**Ordering Information**

Ordering Code	Description
RFRX5932AS2	2 piece sample bag
RFRX5932ASB	5 piece bag
RFRX5932ASQ	25 piece bag
RFRX5932ASR	100 pieces on a 7" reel
RFRX5932ATR7	750 pieces on a 7" reel
RFRX5932ATR13	2500 pieces on a 13" reel
RFRX5932APCK410	Evaluation board with 2 piece sample bag