

Package: QFN, 16-pin, 0.8mm x 3mm x 3mm

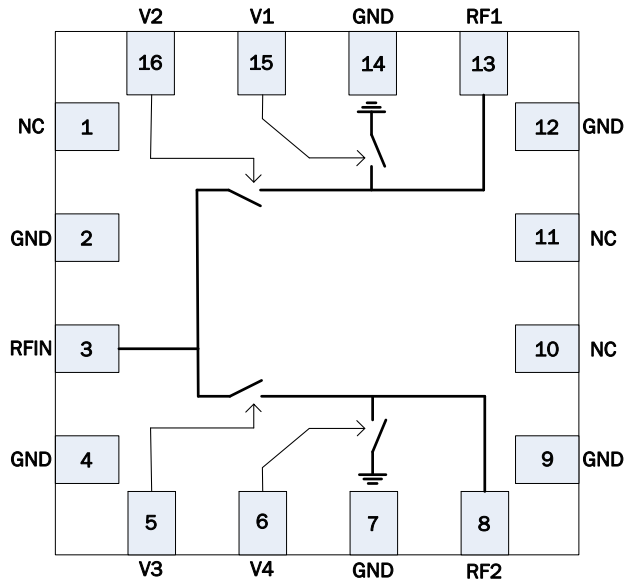


### Features

- Low Insertion Loss: 1.7 dB at 20GHz
- High Isolation: 38dB at 20GHz
- 20nS Switching Speed
- GaAs pHEMT Technology
- Compact 3mm x 3mm QFN Package

### Applications

- Broadband Communications
- Test Instrumentation
- Fiber Optics
- Military
- Aerospace



Functional Block Diagram

### Product Description

RFMD's RFSW2041 is a broadband reflective SPDT GaAs microwave monolithic integrated circuit (MMIC) switch designed to operate from DC to 20GHz using the RFMD FD05 0.5µm switch process. It features low insertion loss of 1.7dB at 20GHz and high isolation of 38dB at 20GHz while being packaged in a compact low cost 3mm x 3mm QFN package for easy end use assembly. The switch uses complementary control logic of -5/0V and does not require a separate bias supply.

### Ordering Information

RFSW2041S2	2-Piece sample bag
RFSW2041SB	5-Piece bag
RFSW2041SQ	25-Piece bag
RFSW2041SR	100 Pieces on 7" reel
RFSW2041TR7	750 Pieces on 7" reel
RFSW2041PCK-410	Evaluation board with a 2-piece sample bag

### Optimum Technology Matching® Applied

- |                                      |                                      |  |                                   |
|--------------------------------------|--------------------------------------|--|-----------------------------------|
| <input type="checkbox"/> GaAs HBT    | <input type="checkbox"/> SiGe BiCMOS | <input checked="" type="checkbox"/> GaAs pHEMT | <input type="checkbox"/> GaN HEMT |
| <input type="checkbox"/> GaAs MESFET | <input type="checkbox"/> Si BiCMOS   | <input type="checkbox"/> Si CMOS               | <input type="checkbox"/> RF MEMS  |
| <input type="checkbox"/> InGaP HBT   | <input type="checkbox"/> SiGe HBT    | <input type="checkbox"/> Si BJT                | <input type="checkbox"/> LDMSO    |

RF MICRO DEVICES®, RFMD®, Optimum Technology Matching®, Enabling Wireless Connectivity™, PowerStar®, POLARIS™ TOTAL RADIO™ and UltimateBlue™ are trademarks of RFMD, LLC. BLUETOOTH is a trademark owned by Bluetooth SIG, Inc., U.S.A. and licensed for use by RFMD. All other trade names, trademarks and registered trademarks are the property of their respective owners. ©2006, RF Micro Devices, Inc.

## Absolute Maximum Ratings

Parameter	Rating	Unit
Drain Bias Voltage ( $V_{CTRL}$ )	-10	$V_{DC}$
RF Input Power	+30	dBm
Storage Temperature	-55 to +150	$^{\circ}C$
Operating Temperature	-55 to +85	$^{\circ}C$
ESD JESD22-A114 Human Body Model (HBM)	Class 1A (All pads)	



**Caution!** ESD sensitive device.

Exceeding any one or a combination of the Absolute Maximum Rating conditions may cause permanent damage to the device. Extended application of Absolute Maximum Rating conditions to the device may reduce device reliability. Specified typical performance or functional operation of the device under Absolute Maximum Rating conditions is not implied.

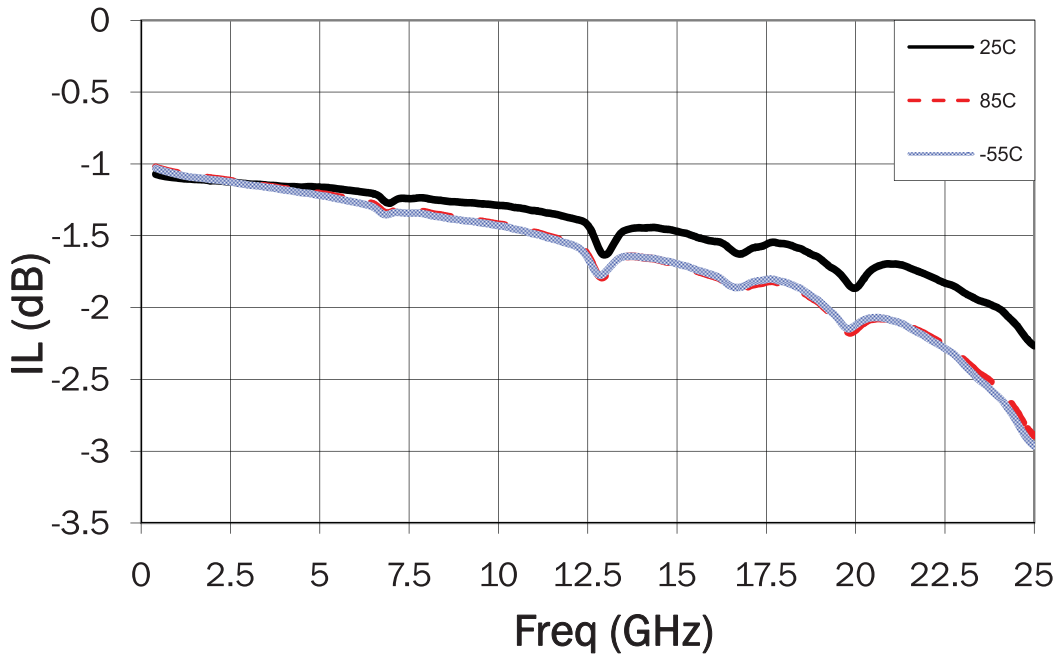
The information in this publication is believed to be accurate and reliable. However, no responsibility is assumed by RF Micro Devices, Inc. ("RFMD") for its use, nor for any infringement of patents, or other rights of third parties, resulting from its use. No license is granted by implication or otherwise under any patent or patent rights of RFMD. RFMD reserves the right to change component circuitry, recommended application circuitry and specifications at any time without prior notice.



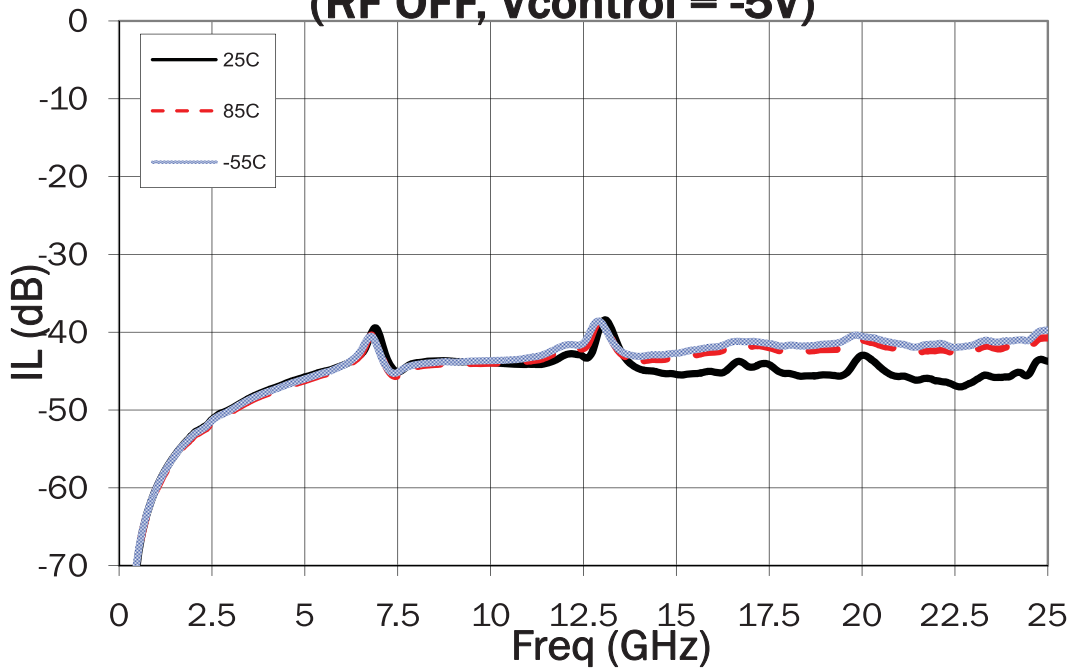
RFMD Green: RoHS compliant per EU Directive 2002/95/EC, halogen free per IEC 61249-2-21, < 1000ppm each of antimony trioxide in polymeric materials and red phosphorus as a flame retardant, and <2% antimony in solder.

Parameter	Specification			Unit	Condition
	Min.	Typ.	Max.		
Operating Frequency	DC		20	GHz	
Insertion Loss (0GHz to 5GHz)		1.1	1.6	dB	ON State, All Temps
Insertion Loss (5GHz to 10GHz)		1.2	2.2	dB	ON State, All Temps
Insertion Loss (10GHz to 15GHz)		1.4	2.3	dB	ON State, All Temps
Insertion Loss (15GHz to 20GHz)		1.7	2.7	dB	ON State, All Temps
Isolation (DC to 20GHz)	34	38		dB	ON State, All Temps
Input Return Loss (DC to 20GHz)	12	15		dB	ON State, All Temps
Output Return Loss (DC to 20GHz)	11	20		dB	ON State, All Temps
OIP3 (2GHz to 20GHz)	34	46		dBm	100MHz spacing, 2dBm input, 25 $^{\circ}C$
OIP2 (4GHz to 20GHz)	80	83		dBm	100MHz spacing, 2dBm input, 25 $^{\circ}C$
Switching Speed		20	25	ns	50% control to 90% RF, All Temps
Control Current		32	50	$\mu A$	Sum of all control lines, 25 $^{\circ}C$
Control Voltage		0/-5		V	

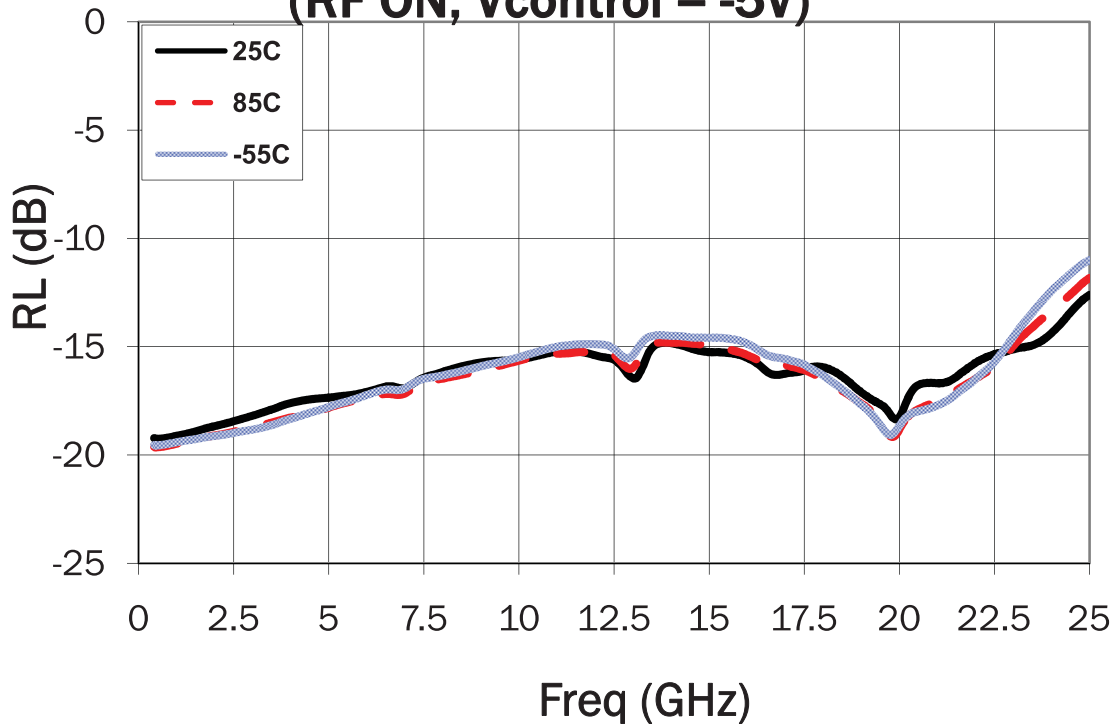
**Insertion Loss vs Temp (Vcontrol = -5V)**



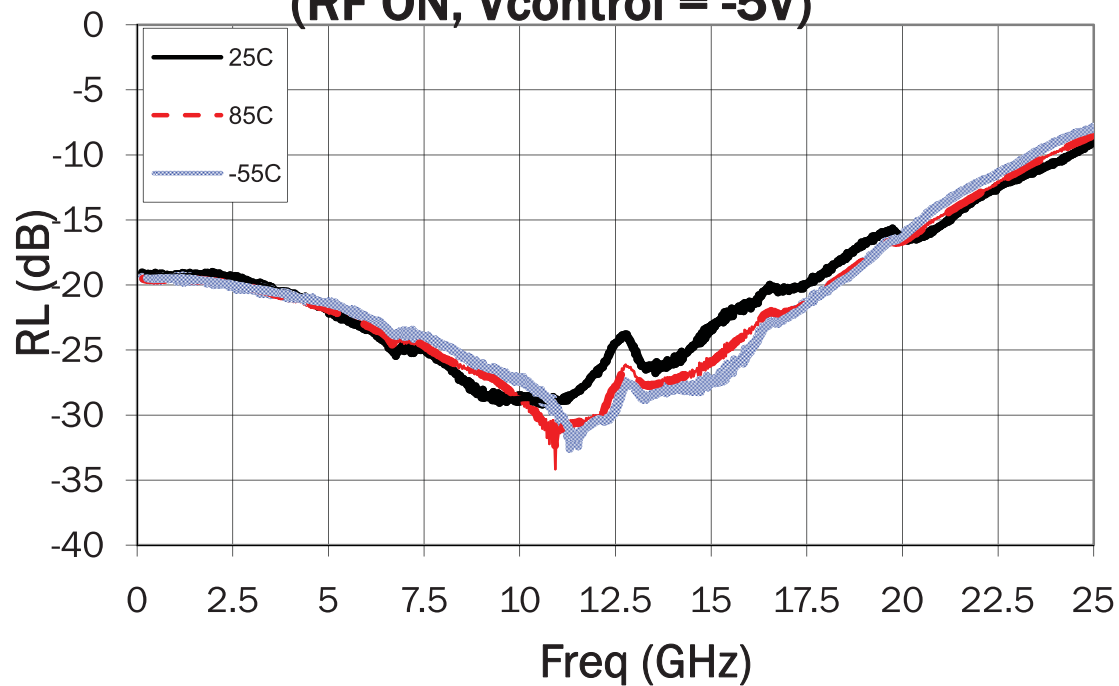
**Isolation vs Temp  
(RF OFF, Vcontrol = -5V)**



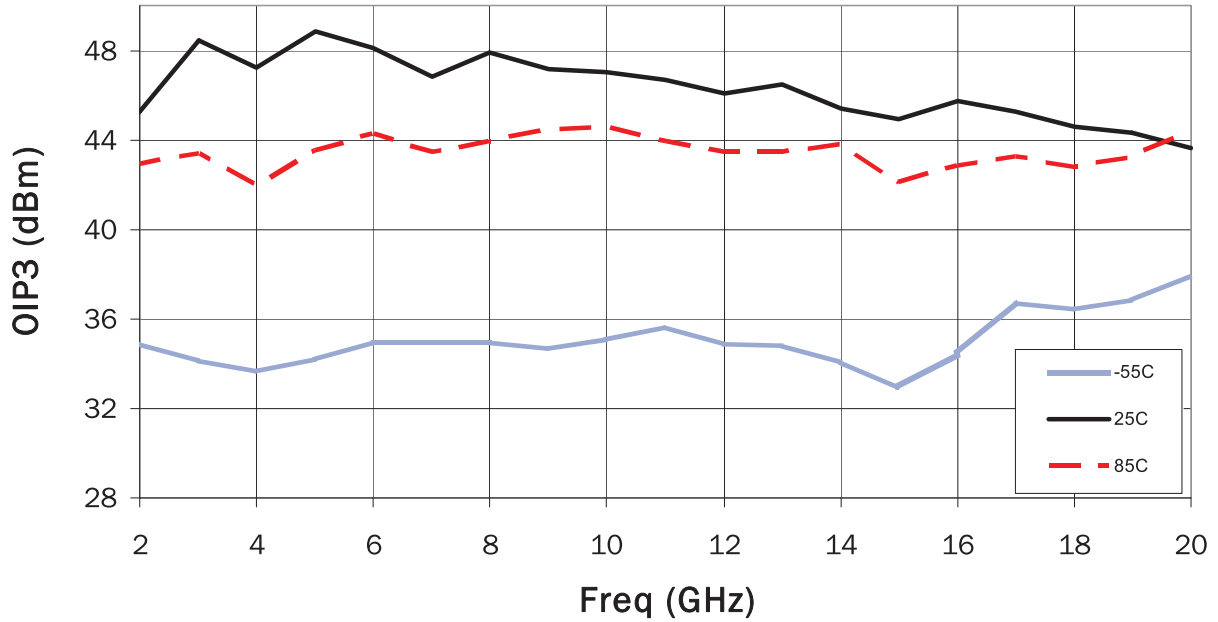
### Input Return Loss vs Temp (RF ON, Vcontrol = -5V)



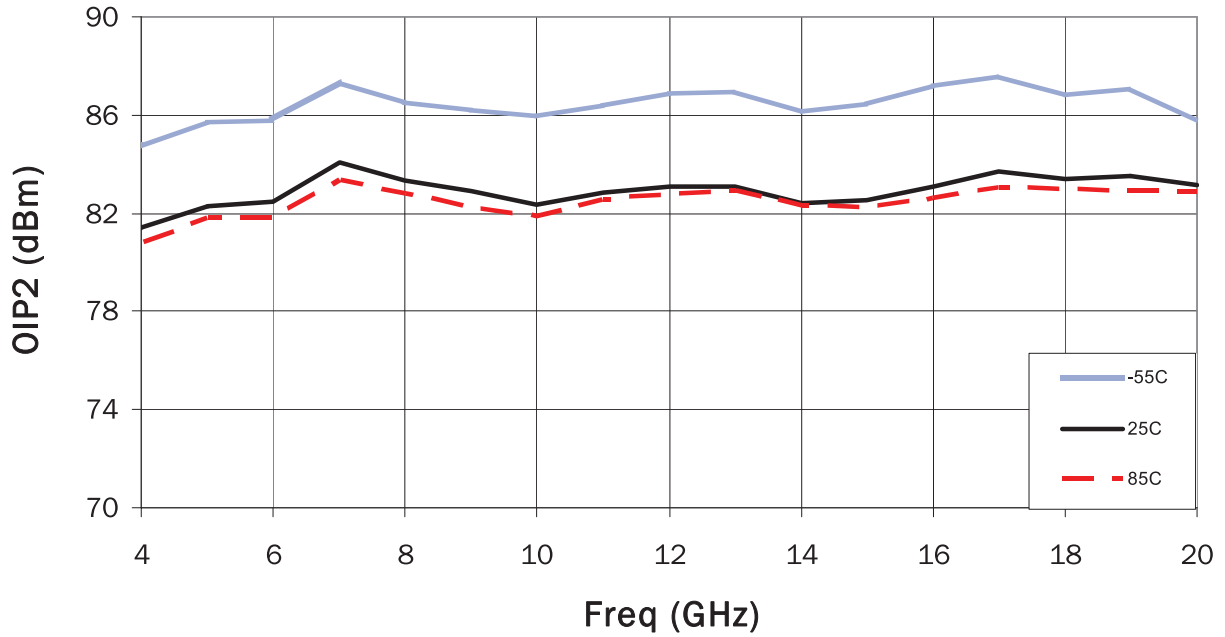
### Output Return Loss vs Temp (RF ON, Vcontrol = -5V)

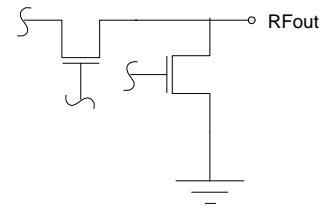
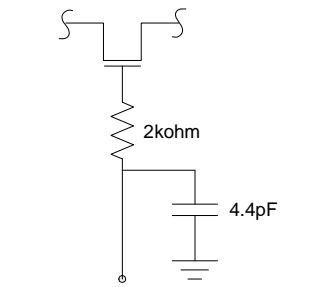
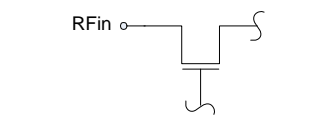


**OIP3 vs Temp (Vcontrol = -5V)**



**OIP2 vs Temp (Vcontrol = -5V)**



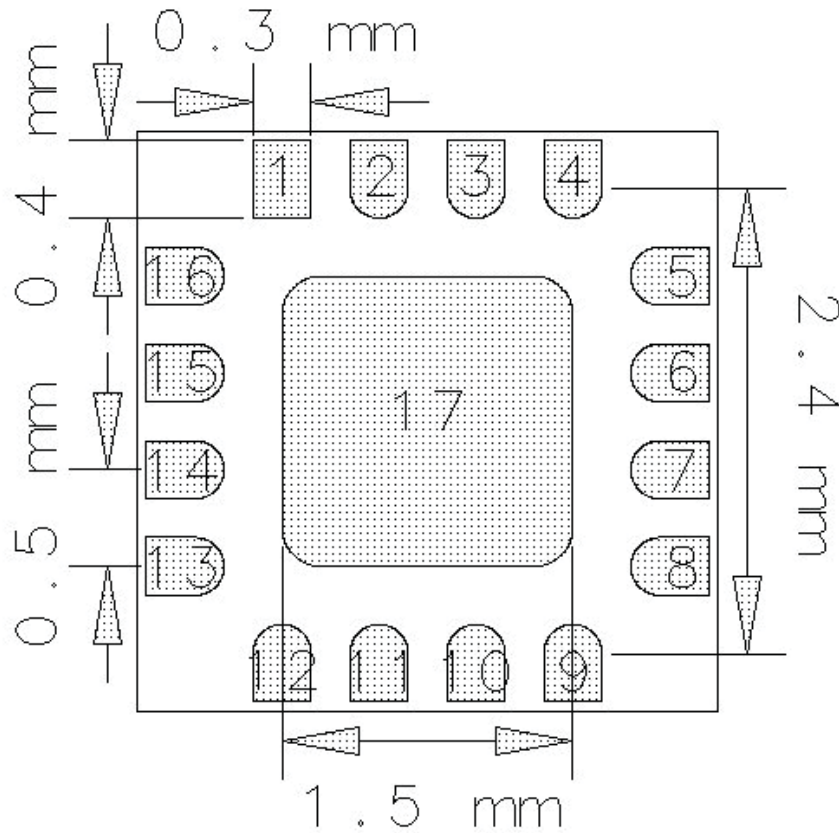
Pin	Function	Description	Interface Schematic
1, 10, 11	NC	No Connect	
2, 4, 7, 9, 12, 14	GND	Ground. Grounding via should be located as close as possible to this pin.	
8, 13	RF2, RF1	RF output. These pins are DC coupled and matched to 50Ω from DC to 20GHz.	
5, 6, 15, 16	V3, V4, V1, V2	DC control for switch operation. Nominal operating voltage is -5V.	
3	RFIN	RF input. This pin is DC coupled and matched to 50Ω from DC to 20GHz.	

### Truth Table

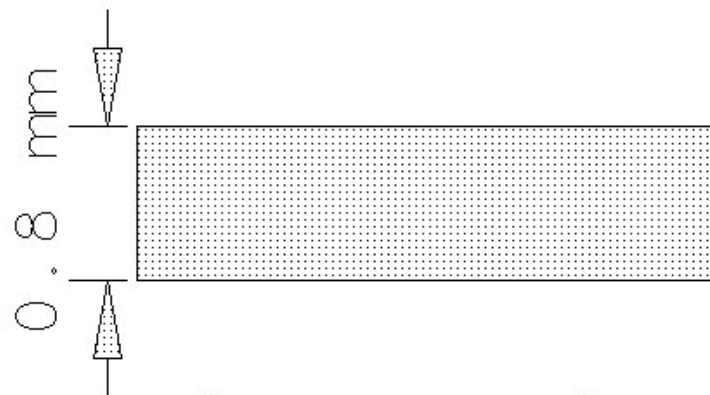
High = -5V ±0.2V, Low = 0V, ±0.2V

Control Line				RF Path
V1	V2	V3	V4	
High	Low	High	Low	RFin to RF1
Low	High	Low	High	RFin to RF2
Low	High	High	Low	OFF (high isolation)

**Package Drawing**



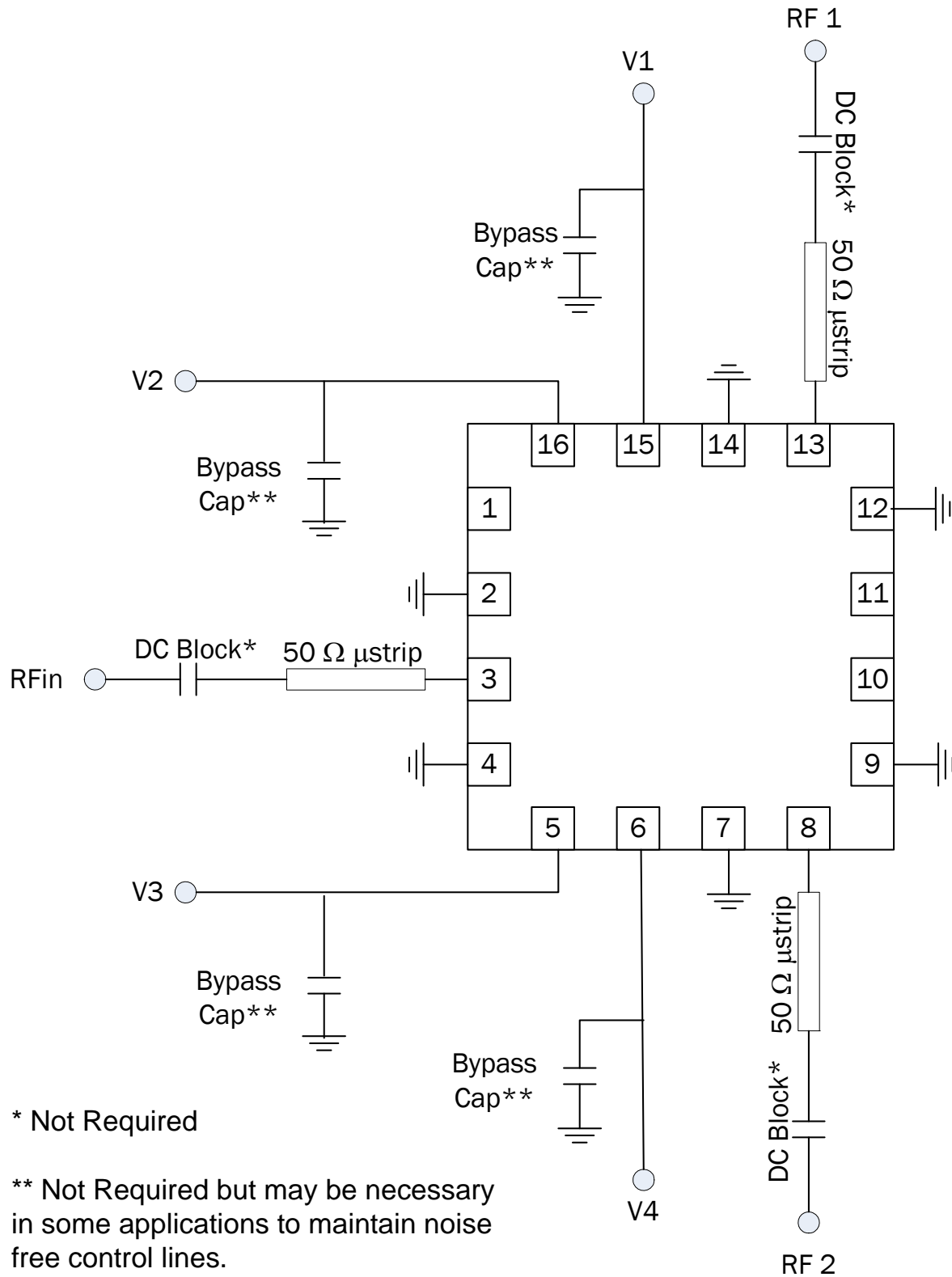
Bottom View



Side View

Maximum Height = 1.0 mm  
Dimensional Tolerance = +0.05 mm

## Application Schematic



\* Not Required

\*\* Not Required but may be necessary in some applications to maintain noise free control lines.



Evaluation Board Schematic

