

Industrial Temperature

K4F660812D, K4F640812D

CMOS DRAM

8M x 8bit CMOS Dynamic RAM with Fast Page Mode

DESCRIPTION

This is a family of 8,388,608 x 8 bit Fast Page Mode CMOS DRAMs. Fast Page Mode offers high speed random access of memory cells within the same row. Refresh cycle(4K Ref. or 8K Ref.), access time (-45, -50 or -60), power consumption(Normal or Low power) are optional features of this family. All of this family have $\overline{\text{CAS}}$ -before- $\overline{\text{RAS}}$ refresh, $\overline{\text{RAS}}$ -only refresh and Hidden refresh capabilities. Furthermore, Self-refresh operation is available in L-version. This 8Mx8 Fast Page Mode DRAM family is fabricated using Samsung's advanced CMOS process to realize high band-width, low power consumption and high reliability.

FEATURES

• Part Identification

- K4F660812D-JI/P(3.3V, 8K Ref., SOJ)
- K4F640812D-JI/P(3.3V, 4K Ref., SOJ)
- K4F660812D-TI/P(3.3V, 8K Ref., TSOP)
- K4F640812D-TI/P(3.3V, 4K Ref., TSOP)

• Active Power Dissipation

Unit : mW

| Speed | 8K | 4K |
|-------|-----|-----|
| -45 | 324 | 432 |
| -50 | 288 | 396 |
| -60 | 252 | 360 |

• Refresh Cycles

| Part NO. | Refresh cycle | Refresh time | |
|-------------|---------------|--------------|-------|
| | | Normal | L-ver |
| K4F660812D* | 8K | 64ms | 128ms |
| K4F640812D | 4K | | |

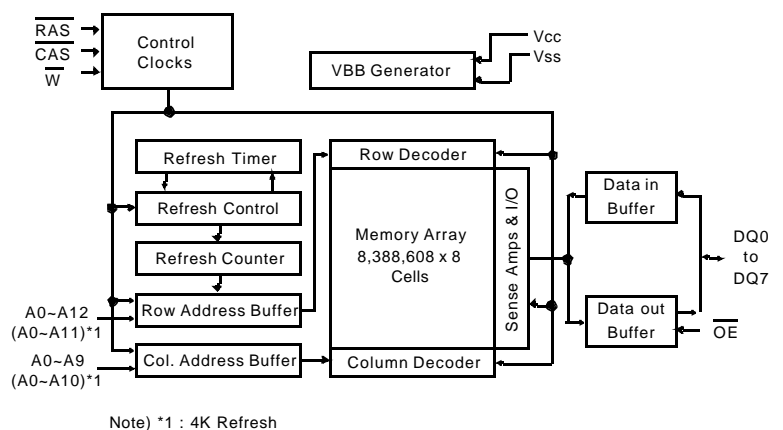
- * Access mode & $\overline{\text{RAS}}$ only refresh mode
 : 8K cycle/64ms(Normal), 8K cycle/128ms(L-ver.)
 $\overline{\text{CAS}}$ -before- $\overline{\text{RAS}}$ & Hidden refresh mode
 : 4K cycle/64ms(Normal), 4K cycle/128ms(L-ver.)

• Performance Range

| Speed | t _{RAC} | t _{CAC} | t _{RC} | t _{PC} |
|-------|------------------|------------------|-----------------|-----------------|
| -45 | 45ns | 12ns | 80ns | 31ns |
| -50 | 50ns | 13ns | 90ns | 35ns |
| -60 | 60ns | 15ns | 110ns | 40ns |

- Fast Page Mode operation
- $\overline{\text{CAS}}$ -before- $\overline{\text{RAS}}$ refresh capability
- $\overline{\text{RAS}}$ -only and Hidden refresh capability
- Self-refresh capability (L-ver only)
- Fast parallel test mode capability
- LVTTTL(3.3V) compatible inputs and outputs
- Early Write or output enable controlled write
- JEDEC Standard pinout
- Available in Plastic SOJ and TSOP(II) packages
- +3.3V ±0.3V power supply
- Industrial Temperature operating (-40~85°C)

FUNCTIONAL BLOCK DIAGRAM



SAMSUNG ELECTRONICS CO., LTD. reserves the right to change products and specifications without notice.

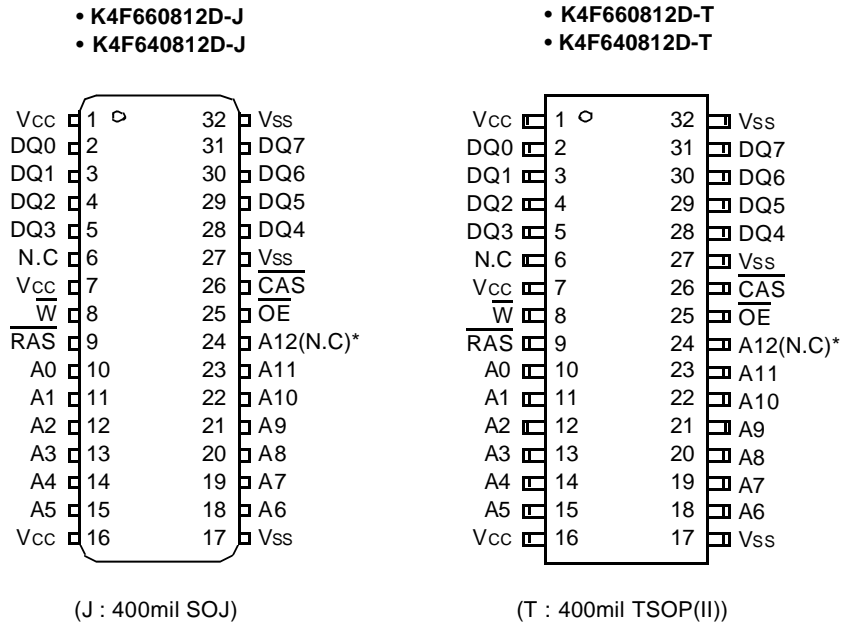


Industrial Temperature

K4F660812D, K4F640812D

CMOS DRAM

PIN CONFIGURATION (Top Views)



* (N.C) : N.C for 4K Refresh product

| Pin Name | Pin Function |
|-------------------------|----------------------------|
| A0 - A12 | Address Inputs(8K Product) |
| A0 - A11 | Address Inputs(4K Product) |
| DQ0 - 7 | Data In/Out |
| Vss | Ground |
| $\overline{\text{RAS}}$ | Row Address Strobe |
| $\overline{\text{CAS}}$ | Column Address Strobe |
| $\overline{\text{W}}$ | Read/Write Input |
| $\overline{\text{OE}}$ | Data Output Enable |
| Vcc | Power(+3.3V) |
| N.C | No Connection |



Industrial Temperature

K4F660812D, K4F640812D

CMOS DRAM

ABSOLUTE MAXIMUM RATINGS

| Parameter | Symbol | Rating | Units |
|---------------------------------------------------------------|------------------------------------|--------------|-------|
| Voltage on any pin relative to V _{SS} | V _{IN} , V _{OUT} | -0.5 to +4.6 | V |
| Voltage on V _{CC} supply relative to V _{SS} | V _{CC} | -0.5 to +4.6 | V |
| Storage Temperature | T _{stg} | -55 to +150 | °C |
| Power Dissipation | P _D | 1 | W |
| Short Circuit Output Current | I _{OS} Address | 50 | mA |

* Permanent device damage may occur if "ABSOLUTE MAXIMUM RATINGS" are exceeded. Functional operation should be restricted to the conditions as detailed in the operational sections of this data sheet. Exposure to absolute maximum rating conditions for extended periods may affect device reliability.

RECOMMENDED OPERATING CONDITIONS (Voltage referenced to V_{SS}, T_A= -40 to 85°C)

| Parameter | Symbol | Min | Typ | Max | Units |
|--------------------|-----------------|--------------------|-----|------------------------------------|-------|
| Supply Voltage | V _{CC} | 3.0 | 3.3 | 3.6 | V |
| Ground | V _{SS} | 0 | 0 | 0 | V |
| Input High Voltage | V _{IH} | 2.0 | - | V _{CC} +0.3 ^{*1} | V |
| Input Low Voltage | V _{IL} | -0.3 ^{*2} | - | 0.8 | V |

*1 : V_{CC}+1.3V at pulse width ≤ 15ns which is measured at V_{CC}

*2 : -1.3 at pulse width ≤ 15ns which is measured at V_{SS}

DC AND OPERATING CHARACTERISTICS (Recommended operating conditions unless otherwise noted.)

| Parameter | Symbol | Min | Max | Units |
|---------------------------------------------------------------------------------------------------------------------|-------------------|-----|-----|-------|
| Input Leakage Current (Any input 0 ≤ V _{IN} ≤ V _{CC} +0.3V, all other pins not under test=0 Volt) | I _{I(L)} | -5 | 5 | μA |
| Output Leakage Current (Data out is disabled, 0V ≤ V _{OUT} ≤ V _{CC}) | I _{O(L)} | -5 | 5 | μA |
| Output High Voltage Level (I _{OH} =-2mA) | V _{OH} | 2.4 | - | V |
| Output Low Voltage Level (I _{OL} =2mA) | V _{OL} | - | 0.4 | V |



Industrial Temperature

K4F660812D, K4F640812D

CMOS DRAM

DC AND OPERATING CHARACTERISTICS (Continued)

| Symbol | Power | Speed | Max | | Units |
|------------------|-------------|------------|------------|------------|-------|
| | | | K4F660812D | K4F640812D | |
| I _{CC1} | Don't care | -45 | 90 | 120 | mA |
| | | -50 | 80 | 110 | mA |
| | | -60 | 70 | 100 | mA |
| I _{CC2} | Normal L | Don't care | 1 | 1 | mA |
| | | | 1 | 1 | mA |
| I _{CC3} | Don't care | -45 | 90 | 120 | mA |
| | | -50 | 80 | 110 | mA |
| | | -60 | 70 | 100 | mA |
| I _{CC4} | Don't care | -45 | 70 | 70 | mA |
| | | -50 | 60 | 60 | mA |
| | | -60 | 50 | 50 | mA |
| I _{CC5} | Normal L | Don't care | 0.5 | 0.5 | mA |
| | | | 200 | 200 | uA |
| I _{CC6} | Don't care | -45 | 120 | 120 | mA |
| | | -50 | 110 | 110 | mA |
| | | -60 | 100 | 100 | mA |
| I _{CC7} | L | Don't care | 350 | 350 | uA |
| I _{CC8} | L | Don't care | 350 | 350 | uA |

I_{CC1}* : Operating Current ($\overline{\text{RAS}}$ and $\overline{\text{CAS}}$, Address cycling @ t_{RC}=min.)

I_{CC2} : Standby Current ($\overline{\text{RAS}}=\overline{\text{CAS}}=\overline{\text{W}}=V_{IH}$)

I_{CC3}* : $\overline{\text{RAS}}$ -only Refresh Current ($\overline{\text{CAS}}=V_{IH}$, $\overline{\text{RAS}}$, Address cycling @ t_{RC}=min.)

I_{CC4}* : Fast Page Mode Current ($\overline{\text{RAS}}=V_{IL}$, $\overline{\text{CAS}}$, Address cycling @ t_{PC}=min.)

I_{CC5} : Standby Current ($\overline{\text{RAS}}=\overline{\text{CAS}}=\overline{\text{W}}=V_{CC}-0.2V$)

I_{CC6}* : $\overline{\text{CAS}}$ -Before- $\overline{\text{RAS}}$ Refresh Current ($\overline{\text{RAS}}$ and $\overline{\text{CAS}}$ cycling @ t_{RC}=min)

I_{CC7} : Battery back-up current, Average power supply current, Battery back-up mode

Input high voltage(V_{IH})=V_{CC}-0.2V, Input low voltage(V_{IL})=0.2V, $\overline{\text{CAS}}=\overline{\text{CAS}}$ -before- $\overline{\text{RAS}}$ cycling or 0.2V,

$\overline{\text{W}}$, $\overline{\text{OE}}=V_{IH}$, Address=Don't care, DQ=Open, T_{RC}=31.25us

I_{CC8} : Self Refresh Current

$\overline{\text{RAS}}=\overline{\text{CAS}}=0.2V$, $\overline{\text{W}}=\overline{\text{OE}}=A0 \sim A12(A11)=V_{CC}-0.2V$ or 0.2V, DQ0 ~ DQ7=V_{CC}-0.2V, 0.2V or Open

***Note :** I_{CC1}, I_{CC3}, I_{CC4} and I_{CC6} are dependent on output loading and cycle rates. Specified values are obtained with the output open. I_{CC} is specified as an average current. In I_{CC1}, I_{CC3} and I_{CC6}, address can be changed maximum once while $\overline{\text{RAS}}=V_{IL}$. In I_{CC4}, address can be changed maximum once within one fast page mode cycle time, t_{PC}.



Industrial Temperature

K4F660812D, K4F640812D

CMOS DRAM

CAPACITANCE (TA=25°C, VCC=3.3V, f=1MHz)

| Parameter | Symbol | Min | Max | Units |
|--------------------------------------------------------------------------------------------------------------------------|--------|-----|-----|-------|
| Input capacitance [A0 ~ A12] | CIN1 | - | 5 | pF |
| Input capacitance [$\overline{\text{RAS}}$, $\overline{\text{CAS}}$, $\overline{\text{W}}$, $\overline{\text{OE}}$] | CIN2 | - | 7 | pF |
| Output capacitance [DQ0 - DQ7] | CDQ | - | 7 | pF |

AC CHARACTERISTICS (-40°C ≤ TA ≤ 85°C, See note 2)

Test condition : VCC=3.3V±0.3V, VIH/VIL=2.2/0.7V, VOH/VOL=2.0/0.8V

| Parameter | Symbol | -45 | | -50 | | -60 | | Units | Note |
|-------------------------------------------------------------------|--------|-----|-----|-----|-----|-----|-----|-------|--------|
| | | Min | Max | Min | Max | Min | Max | | |
| Random read or write cycle time | tRC | 80 | | 90 | | 110 | | ns | |
| Read-modify-write cycle time | tRWC | 115 | | 133 | | 153 | | ns | |
| Access time from $\overline{\text{RAS}}$ | tRAC | | 45 | | 50 | | 60 | ns | 3,4,10 |
| Access time from $\overline{\text{CAS}}$ | tCAC | | 12 | | 13 | | 15 | ns | 3,4,5 |
| Access time from column address | tAA | | 23 | | 25 | | 30 | ns | 3,10 |
| $\overline{\text{CAS}}$ to output in Low-Z | tCLZ | 0 | | 0 | | 0 | | ns | 3 |
| Output buffer turn-off delay | tOFF | 0 | 13 | 0 | 13 | 0 | 13 | ns | 6 |
| Transition time (rise and fall) | tT | 1 | 50 | 1 | 50 | 1 | 50 | ns | 2 |
| $\overline{\text{RAS}}$ precharge time | tRP | 25 | | 30 | | 40 | | ns | |
| $\overline{\text{RAS}}$ pulse width | tRAS | 45 | 10K | 50 | 10K | 60 | 10K | ns | |
| $\overline{\text{RAS}}$ hold time | tRSH | 12 | | 13 | | 15 | | ns | |
| $\overline{\text{CAS}}$ hold time | tCSH | 45 | | 50 | | 60 | | ns | |
| $\overline{\text{CAS}}$ pulse width | tCAS | 12 | 10K | 13 | 10K | 15 | 10K | ns | |
| $\overline{\text{RAS}}$ to $\overline{\text{CAS}}$ delay time | tRCD | 18 | 33 | 20 | 37 | 20 | 45 | ns | 4 |
| $\overline{\text{RAS}}$ to column address delay time | tRAD | 13 | 22 | 15 | 25 | 15 | 30 | ns | 10 |
| $\overline{\text{CAS}}$ to $\overline{\text{RAS}}$ precharge time | tCRP | 5 | | 5 | | 5 | | ns | |
| Row address set-up time | tASR | 0 | | 0 | | 0 | | ns | |
| Row address hold time | tRAH | 8 | | 10 | | 10 | | ns | |
| Column address set-up time | tASC | 0 | | 0 | | 0 | | ns | |
| Column address hold time | tCAH | 8 | | 10 | | 10 | | ns | |
| Column address to $\overline{\text{RAS}}$ lead time | tRAL | 23 | | 25 | | 30 | | ns | |
| Read command set-up time | tRCS | 0 | | 0 | | 0 | | ns | |
| Read command hold time referenced to $\overline{\text{CAS}}$ | tRCH | 0 | | 0 | | 0 | | ns | 8 |
| Read command hold time referenced to $\overline{\text{RAS}}$ | tRRH | 0 | | 0 | | 0 | | ns | 8 |
| Write command hold time | tWCH | 8 | | 10 | | 10 | | ns | |
| Write command pulse width | tWP | 8 | | 10 | | 10 | | ns | |
| Write command to $\overline{\text{RAS}}$ lead time | tRWL | 13 | | 15 | | 15 | | ns | |
| Write command to $\overline{\text{CAS}}$ lead time | tCWL | 12 | | 13 | | 15 | | ns | |
| Data set-up time | tDS | 0 | | 0 | | 0 | | ns | 9 |
| Data hold time | tDH | 10 | | 10 | | 10 | | ns | 9 |



ELECTRONICS

Industrial Temperature

K4F660812D, K4F640812D

CMOS DRAM

AC CHARACTERISTICS (Continued)

| Parameter | Symbol | -45 | | -50 | | -60 | | Units | Note |
|---------------------------------------------------------------------------------------------------------|-------------------|-----|------|-----|------|-----|------|-------|----------|
| | | Min | Max | Min | Max | Min | Max | | |
| Refresh period (Normal) | t _{REF} | | 64 | | 64 | | 64 | ms | |
| Refresh period (L-ver) | t _{REF} | | 128 | | 128 | | 128 | ms | |
| Write command set-up time | t _{WCS} | 0 | | 0 | | 0 | | ns | 7 |
| $\overline{\text{CAS}}$ to $\overline{\text{W}}$ delay time | t _{CWD} | 32 | | 36 | | 38 | | ns | 7 |
| $\overline{\text{RAS}}$ to $\overline{\text{W}}$ delay time | t _{RWD} | 67 | | 73 | | 83 | | ns | 7 |
| Column address to $\overline{\text{W}}$ delay time | t _{AWD} | 43 | | 48 | | 53 | | ns | 7 |
| $\overline{\text{CAS}}$ precharge $\overline{\text{W}}$ delay time | t _{CPWD} | 48 | | 53 | | 60 | | ns | |
| $\overline{\text{CAS}}$ set-up time ($\overline{\text{CAS}}$ -before- $\overline{\text{RAS}}$ refresh) | t _{CSR} | 5 | | 5 | | 5 | | ns | |
| $\overline{\text{CAS}}$ hold time ($\overline{\text{CAS}}$ -before- $\overline{\text{RAS}}$ refresh) | t _{CHR} | 10 | | 10 | | 10 | | ns | |
| $\overline{\text{RAS}}$ to $\overline{\text{CAS}}$ precharge time | t _{RPC} | 5 | | 5 | | 5 | | ns | |
| Access time from $\overline{\text{CAS}}$ precharge | t _{CPA} | | 26 | | 30 | | 35 | ns | 3 |
| Fast Page mode cycle time | t _{PC} | 31 | | 35 | | 40 | | ns | |
| Fast Page mode read-modify-write cycle time | t _{PRWC} | 70 | | 76 | | 85 | | ns | |
| $\overline{\text{CAS}}$ precharge time (Fast page cycle) | t _{CP} | 9 | | 10 | | 10 | | ns | |
| $\overline{\text{RAS}}$ pulse width (Fast page cycle) | t _{RASP} | 45 | 200K | 50 | 200K | 60 | 200K | ns | |
| $\overline{\text{RAS}}$ hold time from $\overline{\text{CAS}}$ precharge | t _{RHCP} | 28 | | 30 | | 35 | | ns | |
| $\overline{\text{OE}}$ access time | t _{OEa} | | 12 | | 13 | | 15 | ns | 3 |
| $\overline{\text{OE}}$ to data delay | t _{OEED} | 12 | | 13 | | 13 | | ns | |
| Output buffer turn off delay time from $\overline{\text{OE}}$ | t _{OEZ} | 0 | 13 | 0 | 13 | 0 | 13 | ns | 6 |
| $\overline{\text{OE}}$ command hold time | t _{OEH} | 12 | | 13 | | 15 | | ns | |
| Write command set-up time (Test mode in) | t _{WTS} | 10 | | 10 | | 10 | | ns | 11 |
| Write command hold time (Test mode in) | t _{WTH} | 15 | | 15 | | 15 | | ns | 11 |
| $\overline{\text{W}}$ to $\overline{\text{RAS}}$ precharge time (C-B-R refresh) | t _{WRP} | 10 | | 10 | | 10 | | ns | |
| $\overline{\text{W}}$ to $\overline{\text{RAS}}$ hold time (C-B-R refresh) | t _{WRH} | 10 | | 10 | | 10 | | ns | |
| $\overline{\text{RAS}}$ pulse width (C-B-R self refresh) | t _{RASS} | 100 | | 100 | | 100 | | us | 13,14,15 |
| $\overline{\text{RAS}}$ precharge time (C-B-R self refresh) | t _{RPS} | 80 | | 90 | | 110 | | ns | 13,14,15 |
| $\overline{\text{CAS}}$ hold time (C-B-R self refresh) | t _{CHS} | -50 | | -50 | | -50 | | ns | 13,14,15 |



Industrial Temperature

K4F660812D, K4F640812D

CMOS DRAM

TEST MODE CYCLE

(Note 11)

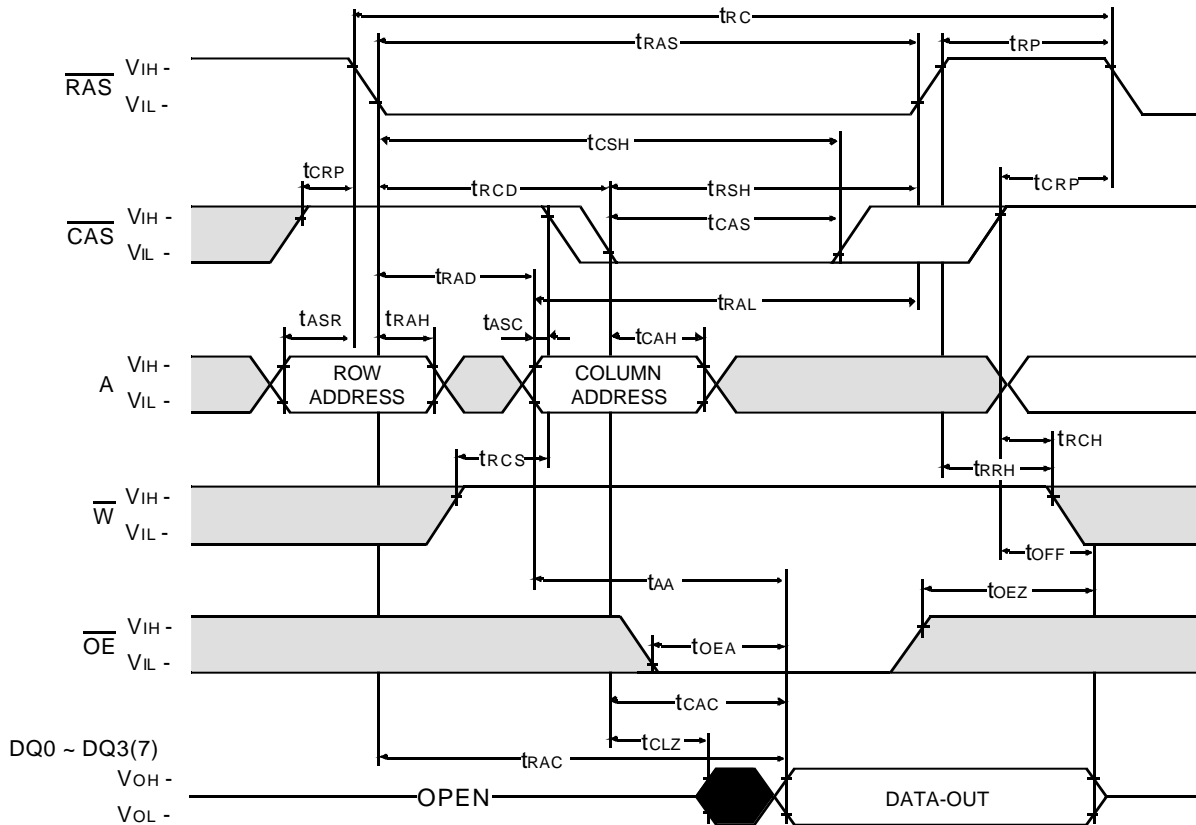
| Parameter | Symbol | -45 | | -50 | | -60 | | Units | Note |
|-------------------------------------------------------------|-----------------------------|-----|------|-----|------|-----|------|-------|-----------|
| | | Min | Max | Min | Max | Min | Max | | |
| Random read or write cycle time | t _{RC} | 85 | | 95 | | 115 | | ns | |
| Read-modify-write cycle time | t _{RWC} | 120 | | 138 | | 160 | | ns | |
| Access time from $\overline{\text{RAS}}$ | t _{RAC} | | 50 | | 55 | | 65 | ns | 3,4,10,12 |
| Access time from $\overline{\text{CAS}}$ | t _{CAC} | | 17 | | 18 | | 20 | ns | 3,4,5,12 |
| Access time from column address | t _{AA} | | 28 | | 30 | | 35 | ns | 3,10,12 |
| $\overline{\text{RAS}}$ pulse width | t _{RAS} | 50 | 10K | 55 | 10K | 65 | 10K | ns | |
| $\overline{\text{CAS}}$ pulse width | t _{CAS} | 17 | 10K | 18 | 10K | 20 | 10K | ns | |
| $\overline{\text{RAS}}$ hold time | t _{RSH} | 17 | | 18 | | 20 | | ns | |
| $\overline{\text{CAS}}$ hold time | t _{CSH} | 50 | | 55 | | 65 | | ns | |
| Column Address to $\overline{\text{RAS}}$ lead time | t _{RAL} | 28 | | 30 | | 35 | | ns | |
| $\overline{\text{CAS}}$ to $\overline{\text{W}}$ delay time | t _{CWD} | 37 | | 41 | | 43 | | ns | 7 |
| $\overline{\text{RAS}}$ to $\overline{\text{W}}$ delay time | t _{RWD} | 72 | | 78 | | 88 | | ns | 7 |
| Column Address to $\overline{\text{W}}$ delay time | t _{AWD} | 48 | | 53 | | 58 | | ns | 7 |
| Fast Page mode cycle time | t _{PC} | 36 | | 40 | | 45 | | ns | |
| Fast Page mode read-modify-write cycle time | t _{PRWC} | 75 | | 81 | | 90 | | ns | |
| $\overline{\text{RAS}}$ pulse width (Fast page cycle) | t _{RASP} | 50 | 200K | 55 | 200K | 65 | 200K | ns | |
| Access time from $\overline{\text{CAS}}$ precharge | t _{CPA} | | 31 | | 35 | | 40 | ns | 3 |
| $\overline{\text{OE}}$ access time | t _{OEa} | | 17 | | 18 | | 20 | ns | 3 |
| $\overline{\text{OE}}$ to data delay | t _{OE_D} | 17 | | 18 | | 18 | | ns | |
| $\overline{\text{OE}}$ command hold time | t _{OE_H} | 17 | | 18 | | 20 | | ns | |



NOTES

1. An initial pause of 200us is required after power-up followed by any 8 ROR or CBR cycles before proper device operation is achieved.
2. $V_{IH}(\min)$ and $V_{IL}(\max)$ are reference levels for measuring timing of input signals. Transition times are measured between $V_{IH}(\min)$ and $V_{IL}(\max)$ and are assumed to be 5ns for all inputs.
3. Measured with a load equivalent to 1 TTL load and 100pF.
4. Operation within the $t_{RCD}(\max)$ limit insures that $t_{RAC}(\max)$ can be met. $t_{RCD}(\max)$ is specified as a reference point only. If t_{RCD} is greater than the specified $t_{RCD}(\max)$ limit, then access time is controlled exclusively by t_{CAC} .
5. Assumes that $t_{RCD} \geq t_{RCD}(\max)$.
6. $t_{OFF}(\min)$ and $t_{OEZ}(\max)$ define the time at which the output achieves the open circuit condition and are not referenced V_{OH} or V_{OL} .
7. t_{WCS} , t_{RWD} , t_{CWD} and t_{AWD} are non restrictive operating parameters. They are included in the data sheet as electric characteristics only. If $t_{WCS} \geq t_{WCS}(\min)$, the cycle is an early write cycle and the data output will remain high impedance for the duration of the cycle. If $t_{CWD} \geq t_{CWD}(\min)$, $t_{RWD} \geq t_{RWD}(\min)$ and $t_{AWD} \geq t_{AWD}(\min)$, then the cycle is a read-modify-write cycle and the data output will contain the data read from the selected address. If neither of the above conditions is satisfied, the condition of the data out is indeterminate.
8. Either t_{RCH} or t_{RRH} must be satisfied for a read cycle.
9. These parameters are referenced to the \overline{CAS} falling edge in early write cycles and to the \overline{W} falling edge in read-modify-write cycles.
10. Operation within the $t_{RAD}(\max)$ limit insures that $t_{RAC}(\max)$ can be met. $t_{RAD}(\max)$ is specified as a reference point only. If t_{RAD} is greater than the specified $t_{RAD}(\max)$ limit, then access time is controlled by t_{AA} .
11. These specifications are applied in the test mode.
12. In test mode read cycle, the value of t_{RAC} , t_{AA} , t_{CAC} is delayed by 2ns to 5ns for the specified values. These parameters should be specified in test mode cycles by adding the above value to the specified value in this data sheet.
13. If $t_{RASS} \geq 100\mu s$, then \overline{RAS} precharge time must use t_{RPS} instead of t_{RP} .
14. For \overline{RAS} -only-Refresh and Burst \overline{CAS} -before- \overline{RAS} refresh mode, 4096 cycles(4K/8K) of burst refresh must be executed within 64ms before and after self refresh, in order to meet refresh specification.
15. For distributed \overline{CAS} -before- \overline{RAS} with 15.6us interval, CBR refresh should be executed with in 15.6us immediately before and after self refresh in order to meet refresh specification.

READ CYCLE



□ Don't care
■ Undefined

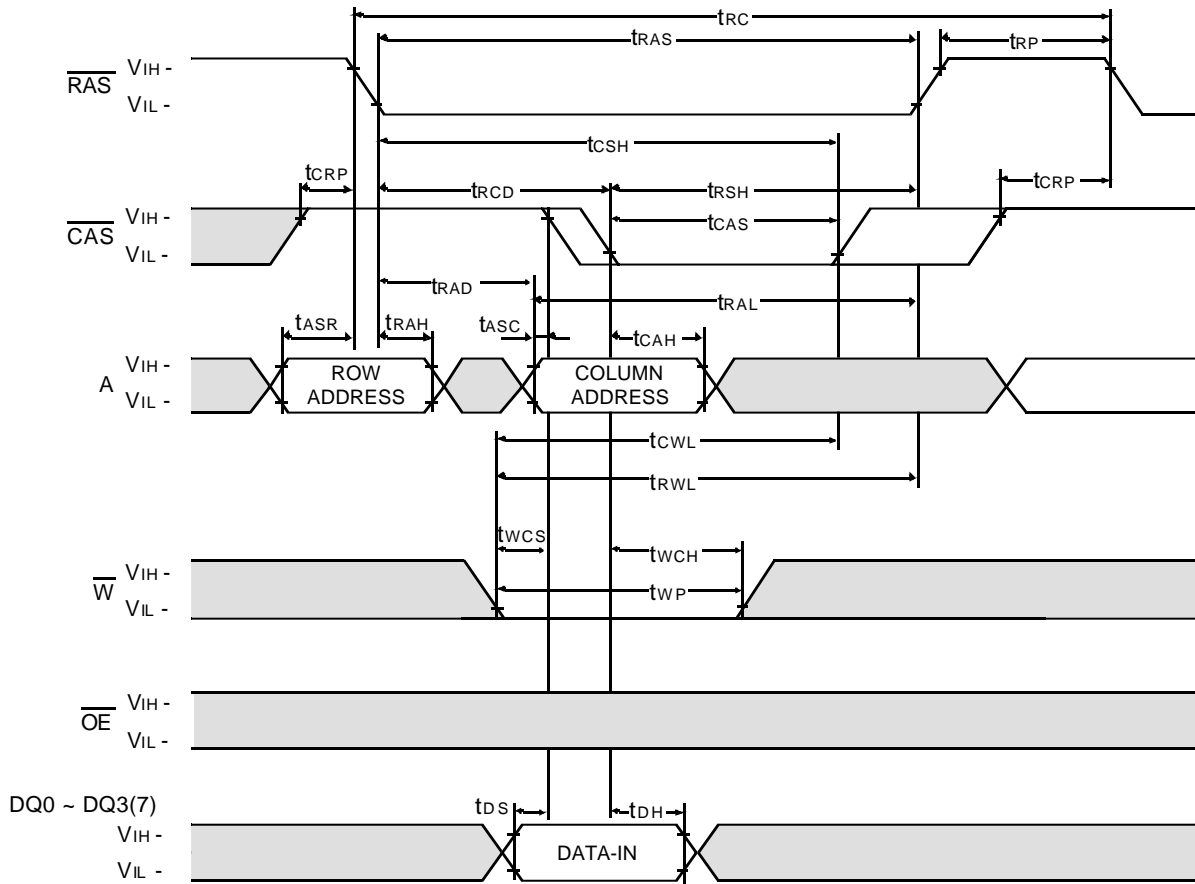
Industrial Temperature

K4F660812D, K4F640812D

CMOS DRAM

WRITE CYCLE (EARLY WRITE)

NOTE : D OUT = OPEN



□ Don't care
■ Undefined



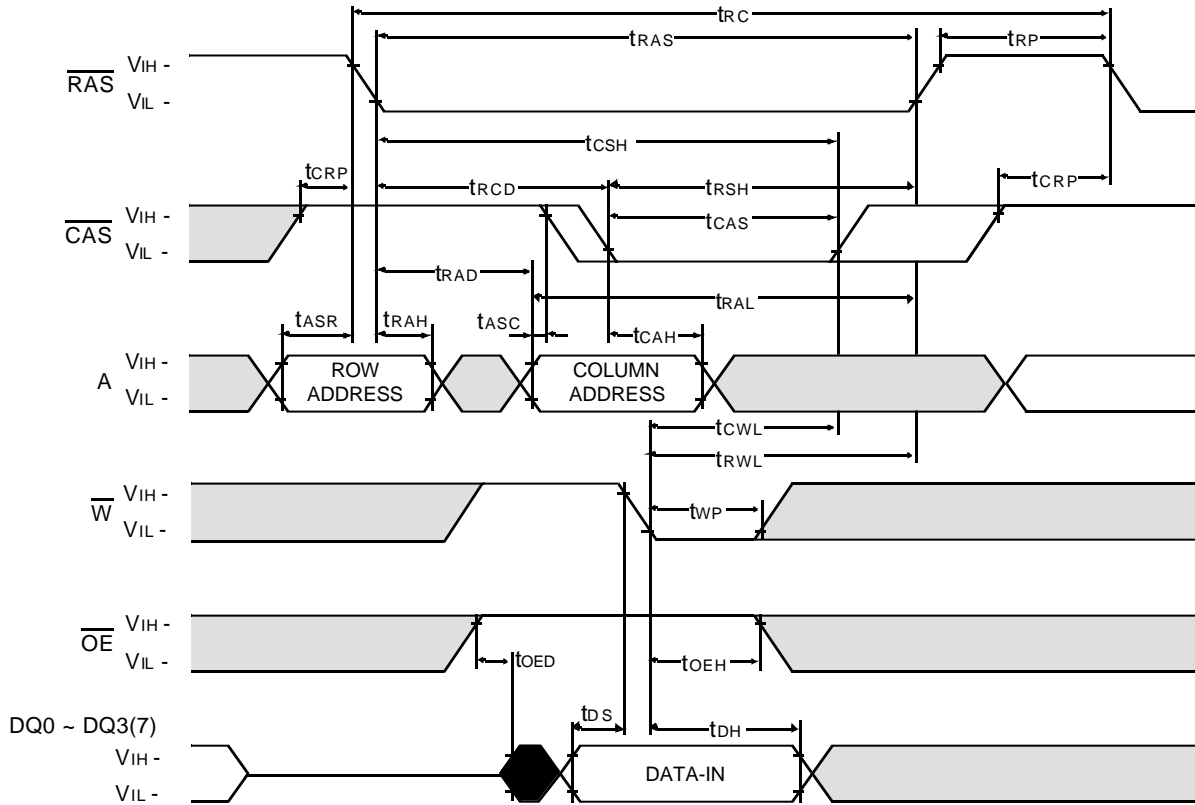
Industrial Temperature

K4F660812D, K4F640812D

CMOS DRAM

WRITE CYCLE (\overline{OE} CONTROLLED WRITE)

NOTE : D OUT = OPEN



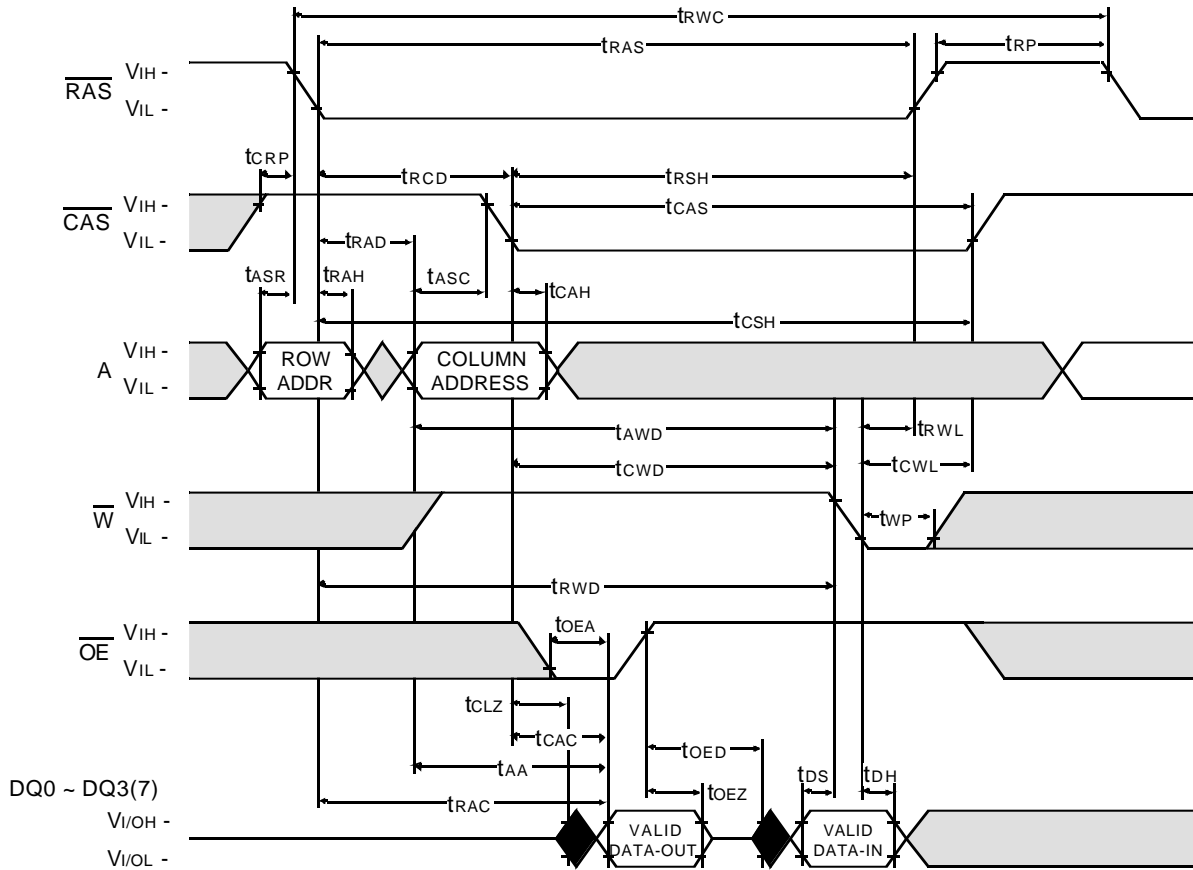
□ Don't care
■ Undefined

Industrial Temperature

K4F660812D, K4F640812D

CMOS DRAM

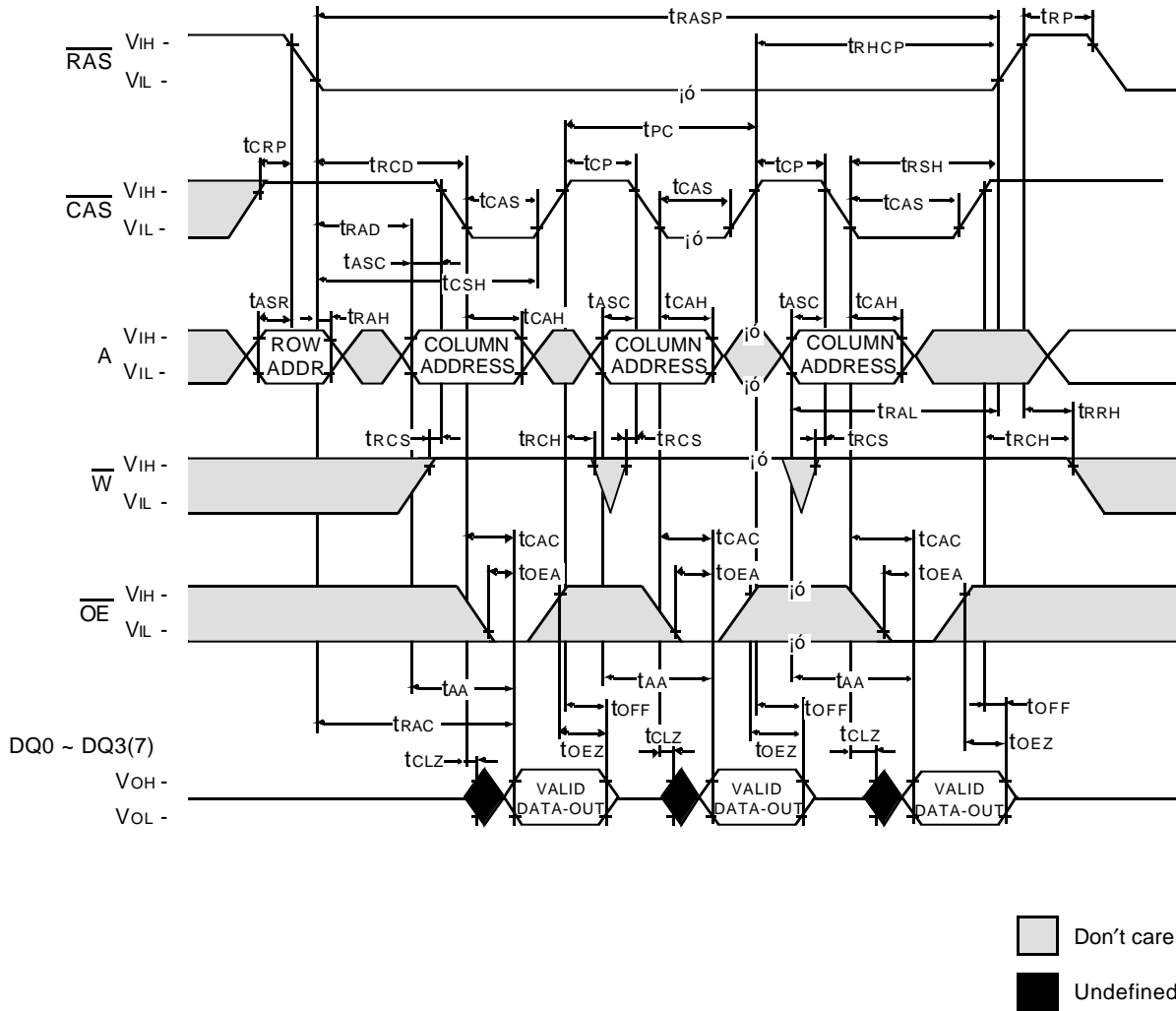
READ - MODIFY - WRITE CYCLE



Don't care
Undefined



FAST PAGE READ CYCLE



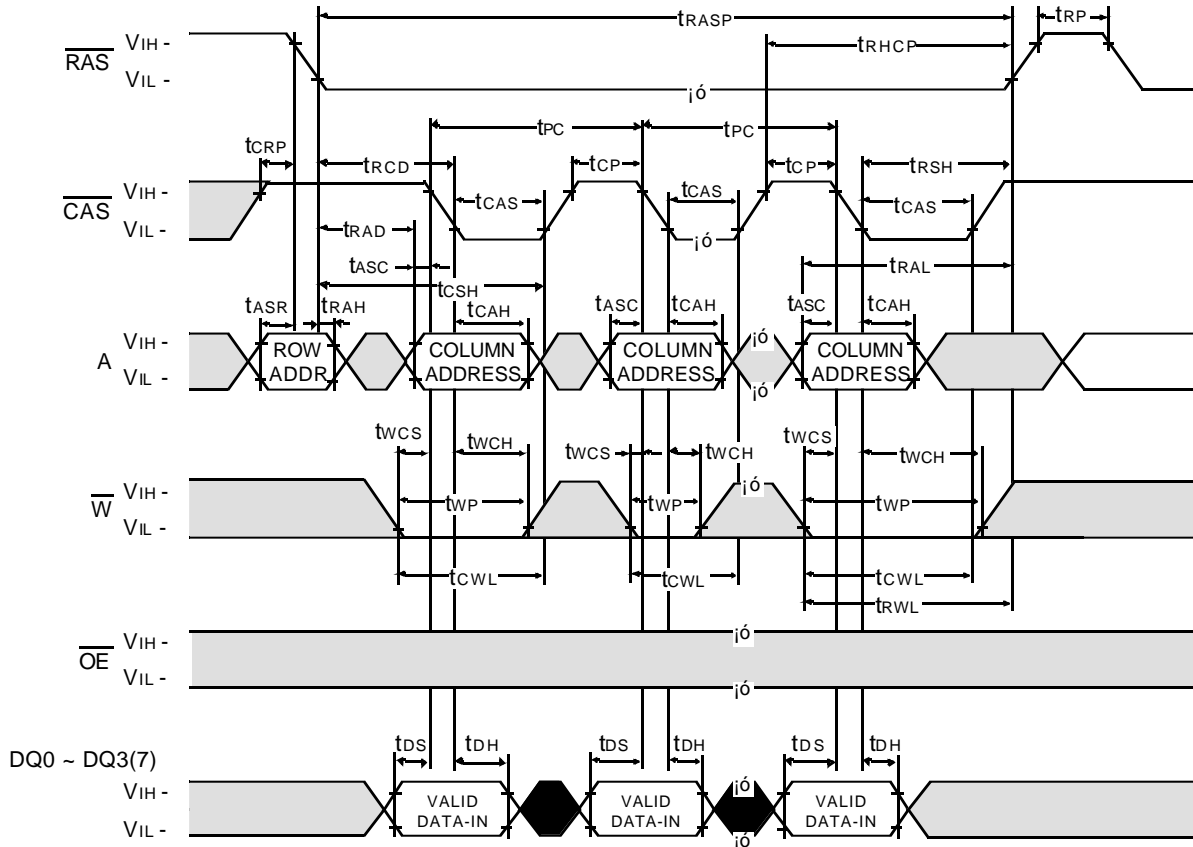
Industrial Temperature

K4F660812D, K4F640812D

CMOS DRAM

FAST PAGE WRITE CYCLE (EARLY WRITE)

NOTE : D OUT = OPEN



Don't care
Undefined

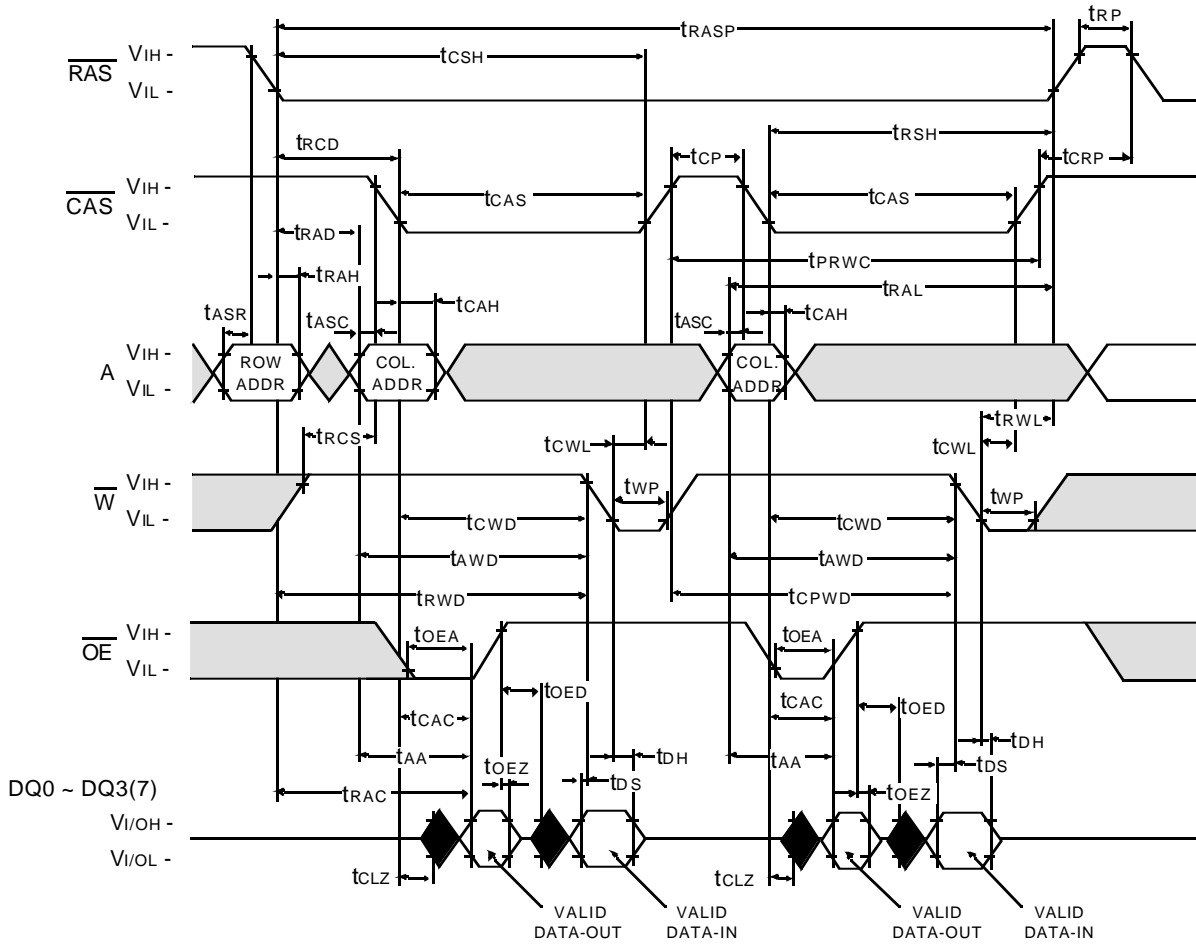


Industrial Temperature

K4F660812D, K4F640812D

CMOS DRAM

FAST PAGE READ - MODIFY - WRITE CYCLE



Don't care
Undefined



Industrial Temperature

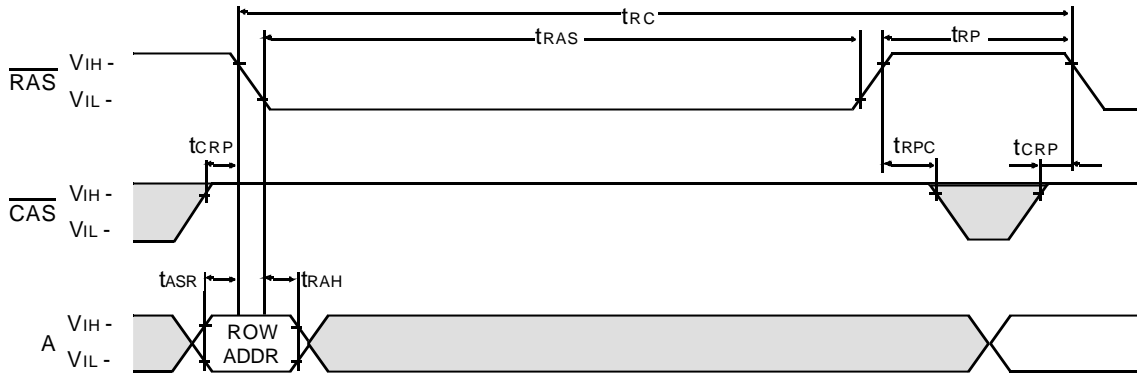
K4F660812D, K4F640812D

CMOS DRAM

RAS - ONLY REFRESH CYCLE

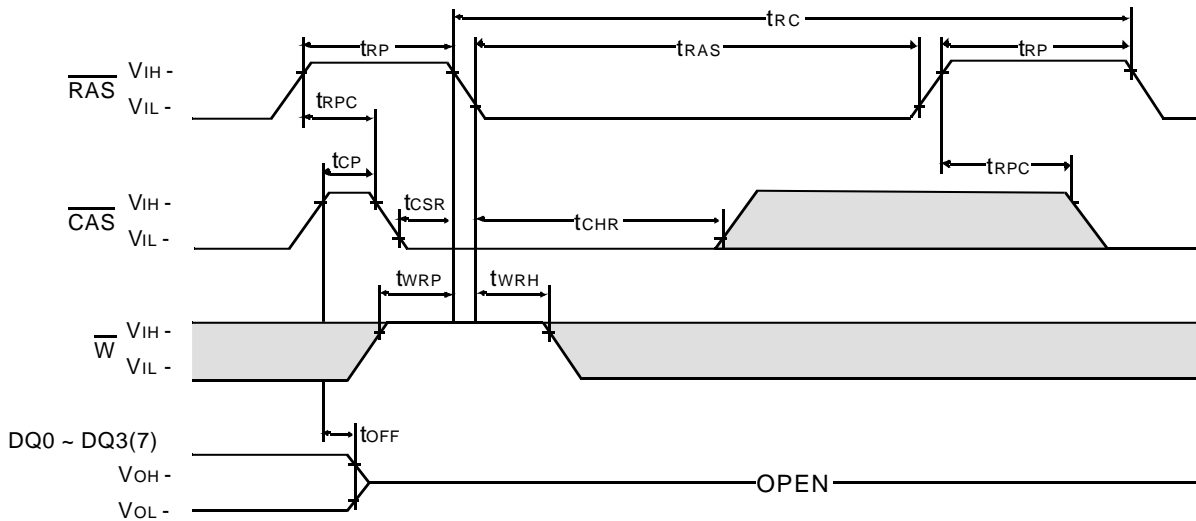
NOTE : \overline{W} , \overline{OE} , DIN = Don't care

DOUT = OPEN



CAS - BEFORE - RAS REFRESH CYCLE

NOTE : \overline{OE} , A = Don't care



□ Don't care
■ Undefined

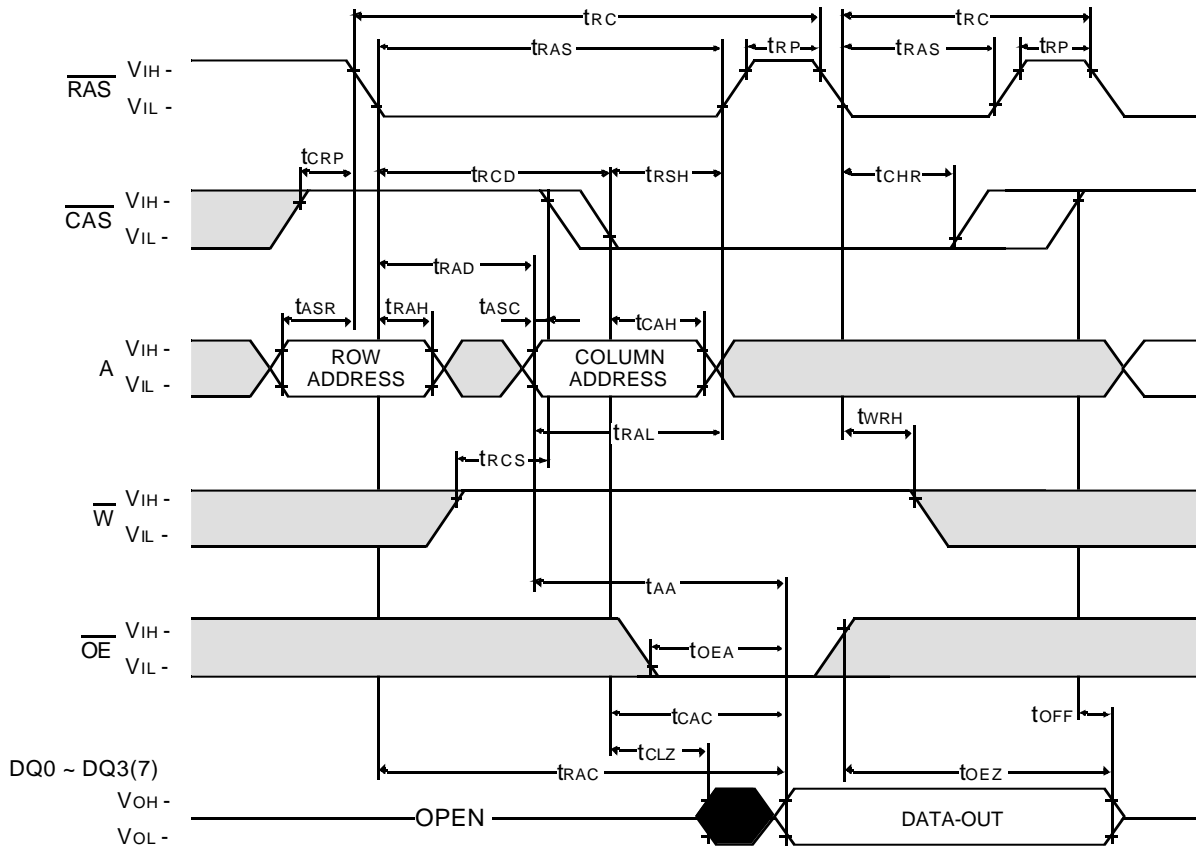


Industrial Temperature

K4F660812D, K4F640812D

CMOS DRAM

HIDDEN REFRESH CYCLE (READ)



Don't care
Undefined



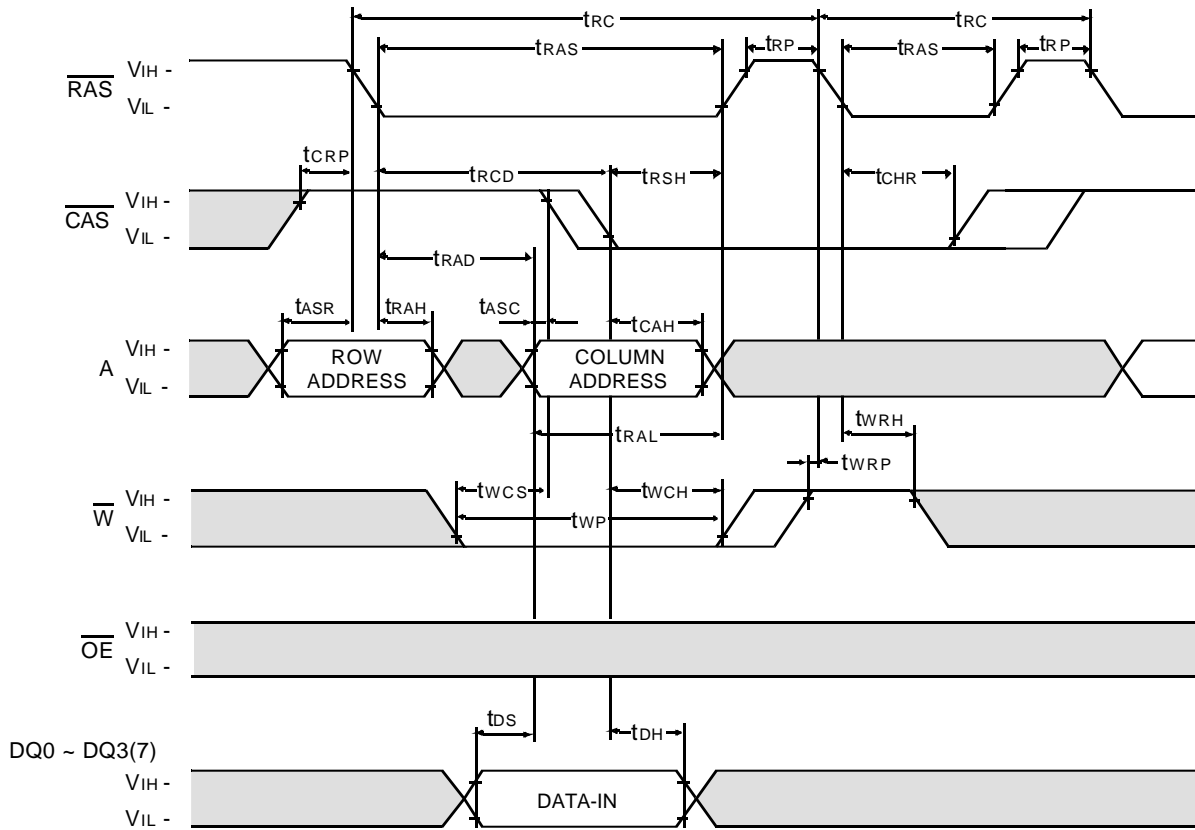
Industrial Temperature

K4F660812D, K4F640812D

CMOS DRAM

HIDDEN REFRESH CYCLE (WRITE)

NOTE : D OUT = OPEN



□ Don't care
■ Undefined



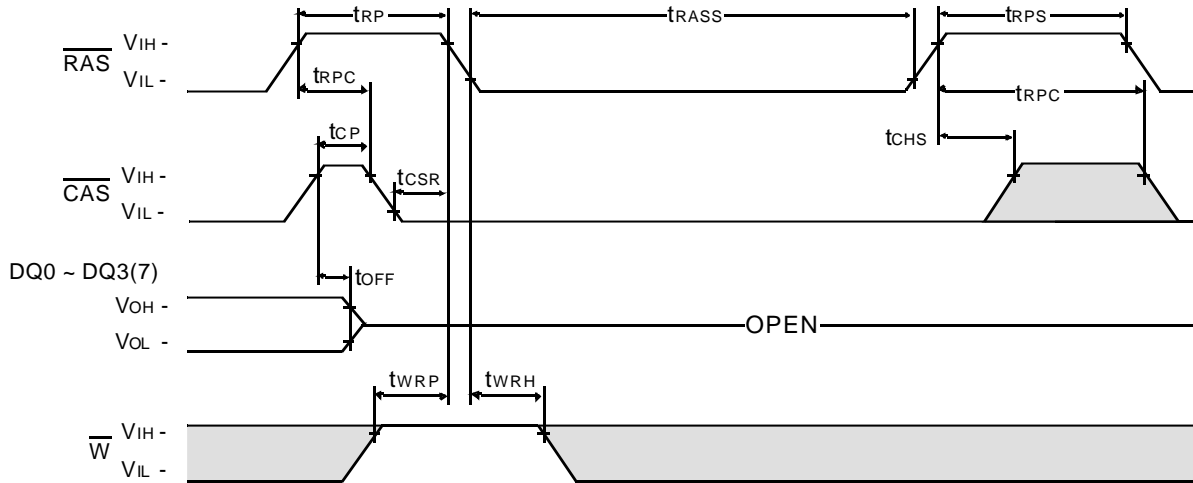
Industrial Temperature

K4F660812D, K4F640812D

CMOS DRAM

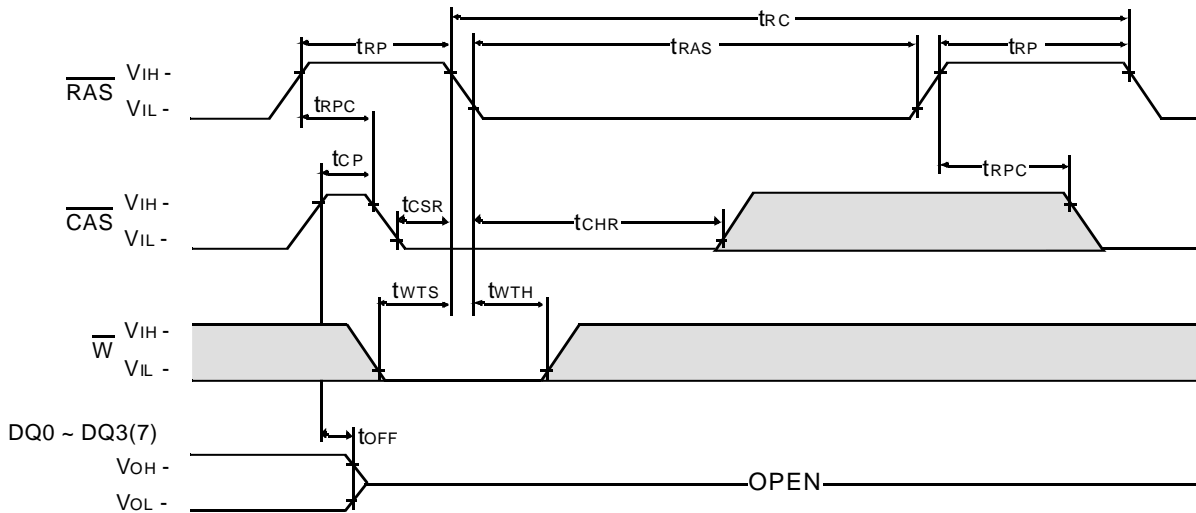
CAS - BEFORE - RAS SELF REFRESH CYCLE

NOTE : \overline{OE} , A = Don't care



TEST MODE IN CYCLE

NOTE : \overline{OE} , A = Don't care



Don't care
 Undefined



Industrial Temperature

K4F660812D, K4F640812D

CMOS DRAM

PACKAGE DIMENSION

