

USB Port Li-Ion/Polymer Battery Charger

General Description

The AAT3688 BatteryManager™ is a highly integrated single cell lithium-ion/polymer battery charger IC designed to operate with USB port inputs. It requires the minimum number of external components.

The AAT3688 precisely regulates battery charge voltage and current for 4.2V lithium-ion/polymer battery cells. Depending on the USB port type, the AAT3688 charge current can be programmed for two separate levels up to 500mA. An optional Charge Reduction Loop is built in to allow users to charge the battery with available current from a USB port, while keeping the port voltage regulated.

Battery temperature and charge state are fully monitored for fault conditions. In the event of an over-voltage or over-temperature failure, the device will automatically shut down, thus protecting the charging device, control system, and the battery under charge. Status monitor output pins are provided to indicate the battery charge status by directly driving two external LEDs. A serial interface output is available to report any one of 14 various status states to a microcontroller.

The AAT3688 is available in a Pb-free, thermally-enhanced, space-saving 12-pin 3x3mm TDFN package and is rated over the -40°C to +85°C temperature range.

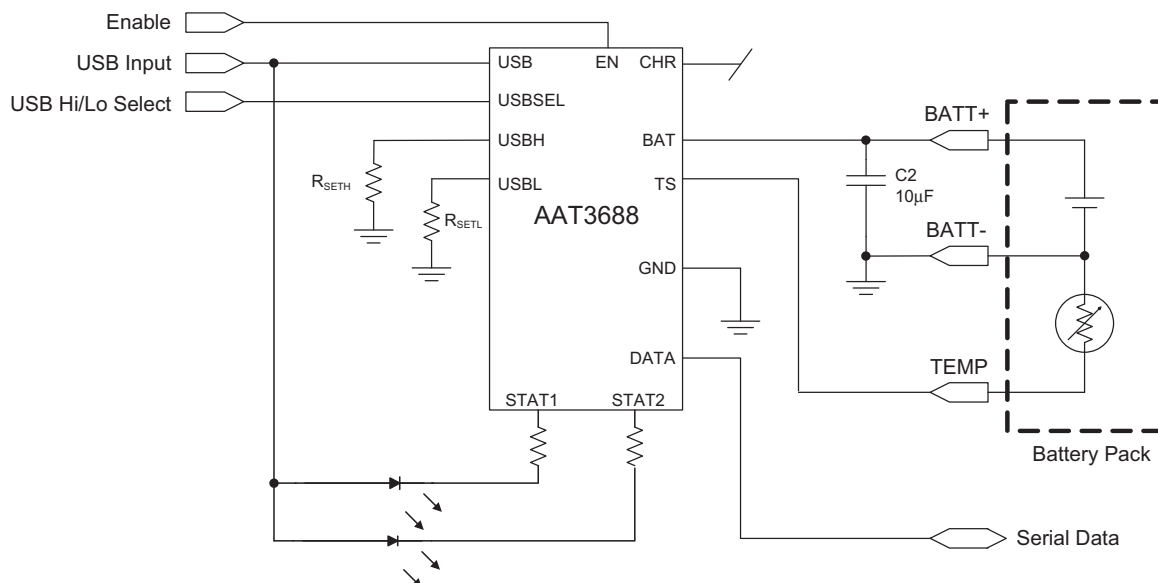
Features

- USB Charger
 - Programmable up to 500mA Max
- 4.0V to 5.5V Input Voltage Range
- High Level of Integration With Internal:
 - Charging Device
 - Reverse Blocking Diode
 - Current Sensing
- Automatic Recharge Sequencing
- Charge Reduction Loop for USB Charging
- Battery Temperature Monitoring
- Full Battery Charge Auto Turn-Off
- Over-Voltage Protection
- Emergency Thermal Protection
- Power On Reset and Soft Start
- Serial Interface Status Reporting
- 12-Pin 3x3mm TDFN Package

Applications

- Bluetooth™ Headsets
- Cellular Telephones
- Digital Still Cameras
- Hand-Held PCs
- MP3 Players
- Personal Data Assistants (PDAs)
- Other Lithium-Ion/Polymer Battery-Powered Devices

Typical Application



AAT3688

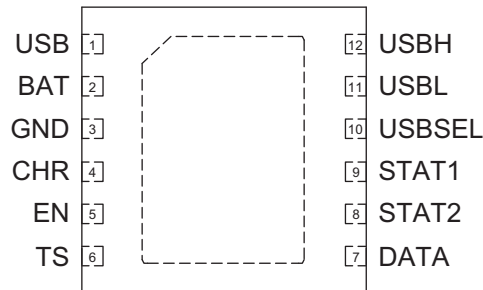
USB Port Li-Ion/Polymer Battery Charger

Pin Descriptions

Pin #	Name	Type	Function
1	USB	In	USB power supply input.
2	BAT	In/Out	Battery charging and sensing.
3	GND	Ground	Ground connection.
4	CHR	In/Out	Resistor divider to set USB voltage regulation for charge reduction mode. Leave this pin open for default 4.5V USB regulation point. Tie to USB pin to disable this function.
5	EN	In	Enable pin. Logic high enables the IC.
6	TS	In/Out	Connect to 10kΩ NTC thermistor.
7	DATA	In/Out	Status report to microcontroller via serial interface, open-drain.
8	STAT2	Out	Battery charge status indicator pin to drive an LED: active low, open-drain.
9	STAT1	Out	Battery charge status indicator pin to drive an LED: active low, open-drain.
10	USBSEL	In	When USB is present, use this pin to toggle between USBH and USBL charging levels.
11	USBL	In/Out	Connect resistor here to set charge current for low-current USB port.
12	USBH	In/Out	Connect resistor here to set charge current for high-current USB port.
EP			Exposed paddle (bottom); connect to GND directly beneath package.

Pin Configuration

**TDFN33-12
(Top View)**



USB Port Li-Ion/Polymer Battery Charger**Absolute Maximum Ratings¹**

Symbol	Description	Value	Units
V _P	USB Input Voltage, <30ms, Duty Cycle <10%	-0.3 to 7.0	V
V _P	USB Input Voltage, Continuous	-0.3 to 6.0	V
V _N	BAT, USBSEL, USBH, USBL, STAT1, STAT2, DATA, TS, CHR, EN	-0.3 to V _{VP} + 0.3	V
T _J	Operating Junction Temperature Range	-40 to 150	°C
T _{LEAD}	Maximum Soldering Temperature (at leads)	300	°C

Thermal Information²

Symbol	Description	Value	Units
θ _{JA}	Maximum Thermal Resistance (3x3mm TDFN)	50	°C/W
P _D	Maximum Power Dissipation	2.0	W

1. Stresses above those listed in Absolute Maximum Ratings may cause permanent damage to the device. Functional operation at conditions other than the operating conditions specified is not implied. Only one Absolute Maximum Rating should be applied at any one time.

2. Mounted on an FR4 board.

DATA SHEET

AAT3688

USB Port Li-Ion/Polymer Battery Charger

Electrical Characteristics¹

$V_{ADP} = 5V$, $T_A = -40^{\circ}C$ to $+85^{\circ}C$, unless otherwise noted. Typical values are at $T_A = 25^{\circ}C$.

Symbol	Description	Conditions	Min	Typ	Max	Units
Operation						
USB	Input Voltage Range		4.0		5.5	V
V_{UVLO}	Under-Voltage Lockout	Rising Edge		3.0		V
	Under-Voltage Lockout Hysteresis			150		mV
I_{OP}	Operating Current	CC Charge Current = 500mA		0.75	1.5	mA
I_{SLEEP}	Sleep Mode Current	$V_{BAT} = 4.25V$		0.3	1.0	μA
$I_{Leakage}$	Reverse Leakage Current from BAT Pin	$V_{BAT} = 4V$, USB Pin Open		1.0		μA
Voltage Regulation						
$V_{BAT_EOC}^1$	End of Charge Voltage Accuracy		4.158	4.2	4.242	V
$\Delta V_{BAT}/V_{BAT}$	EOC Voltage Tolerance			0.5		%
V_{MIN}	Preconditioning Voltage Threshold		2.8	3.0	3.15	V
V_{RCH}	Battery Recharge Voltage Threshold			$V_{BAT_EOC} - 0.1$		V
V_{USB_CHR}	USB Charge Reduction Regulation	No Connection on CHR Pin	4.3	4.5	4.64	V
V_{CHR}	CHR Pin Voltage Accuracy		1.9	2.0	2.1	V
Current Regulation						
I_{CH}	Charge Current		50		500	mA
$\Delta I_{CH}/I_{CH}$	Charge Current Regulation Tolerance			10		%
V_{USBH}	USBH Pin Voltage	CC Mode		2.0		V
V_{USBL}	USBL Pin Voltage	CC Mode		2.0		V
K_{IUH}	Current Set Factor: I_{CHARGE}/I_{USBH}			2000		
K_{IUL}	Current Set Factor: I_{CHARGE}/I_{USBL}			2000		
Charging Devices						
$R_{DS(ON)U}$	USB Charging Transistor On Resistance	$V_{IN} = 5.5V$	0.4	0.5	0.65	Ω

1. The AAT3688 output charge voltage is specified over the 0° to 70°C ambient temperature range; operation over the -40°C to +85°C temperature range is guaranteed by design.

DATA SHEET

AAT3688

USB Port Li-Ion/Polymer Battery Charger

Electrical Characteristics¹

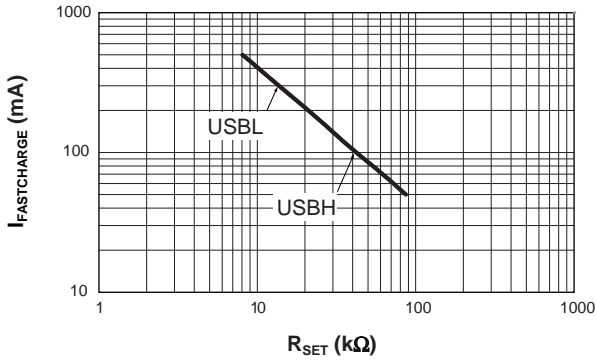
$V_{ADP} = 5V$, $T_A = -40^{\circ}C$ to $+85^{\circ}C$, unless otherwise noted. Typical values are at $T_A = 25^{\circ}C$.

Symbol	Description	Conditions	Min	Typ	Max	Units
Logic Control / Protection						
$V_{USBSSEL(H)}$	Input High Threshold		1.6			V
$V_{USBSSEL(L)}$	Input Low Threshold				0.4	V
$V_{EN(H)}$	Input High Threshold		1.6			V
$V_{EN(L)}$	Input Low Threshold				0.4	V
V_{STAT}	Output Low Voltage	STAT Pin Sinks 4mA			0.4	V
I_{STAT}	STAT Pin Current Sink Capability			8.0		mA
V_{OVP}	Over-Voltage Protection Threshold			4.4		V
I_{TK}/I_{CHG}	Pre-Charge Current	For USBH Mode		10		%
		For USBL Mode		50		
I_{TERM}/I_{CHG}	Charge Termination Threshold Current	For USBH Mode		7.5		%
I_{TERM}/I_{CHG}	Charge Termination Threshold Current	For USBL Mode		35		%
I_{TS}	Current Source from TS Pin		70	80	90	μA
TS1	TS Hot Temperature Fault	Threshold	310	330	350	mV
		Hysteresis		15		
TS2	TS Cold Temperature Fault	Threshold	2.2	2.3	2.4	V
		Hysteresis		10		
I_{DATA}	DATA Pin Sink Current	DATA Pin is Active Low State	3.0			mA
$V_{DATA(H)}$	Input High Threshold		1.6			V
$V_{DATA(L)}$	Input Low Threshold				0.4	V
SQ_{PULSE}	Status Request Pulse Width	Status Request	200			ns
t_{PERIOD}	System Clock Period			50		μs
f_{DATA}	Data Output Frequency			20		kHz
T_{OVSD}	Over-Temperature Shutdown Threshold			145		$^{\circ}C$

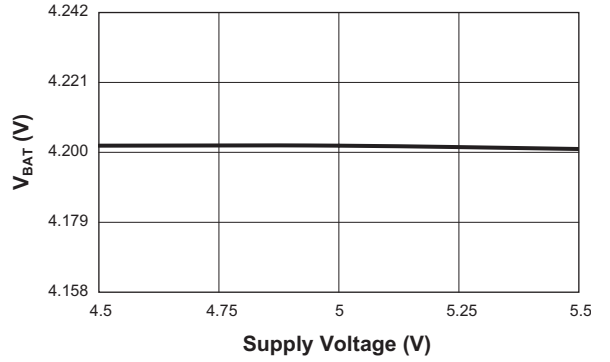
1. The AAT3688 output charge voltage is specified over the 0° to 70°C ambient temperature range; operation over the -40°C to +85°C temperature range is guaranteed by design.

Typical Characteristics

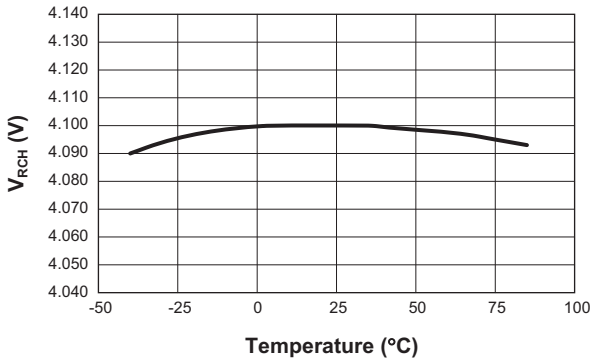
$I_{FASTCHARGE}$ vs. R_{SET}



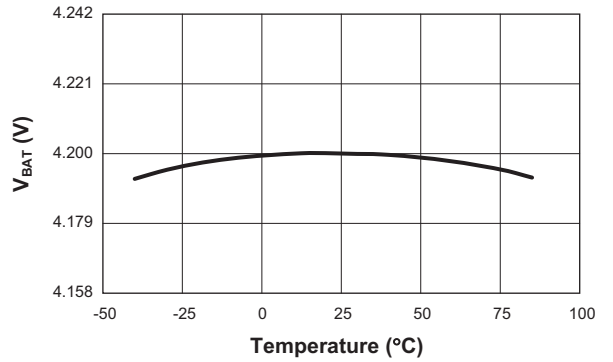
Battery Voltage vs. Supply Voltage



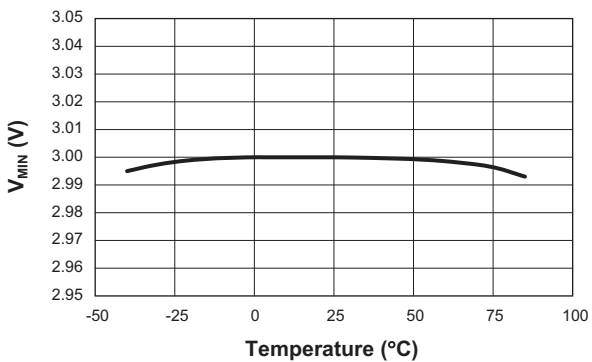
Recharge Voltage vs. Temperature



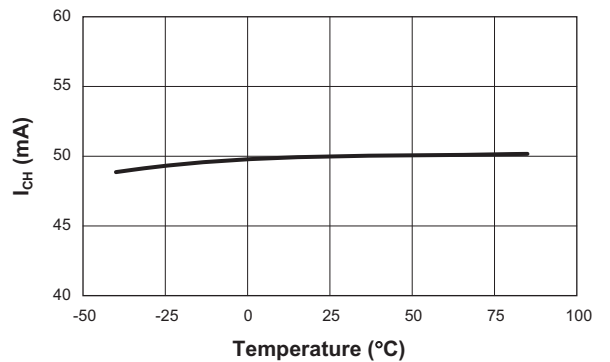
End of Charge Voltage vs. Temperature



Preconditioning Threshold Voltage vs. Temperature



Preconditioning Charge Current vs. Temperature (USBH; USBH = 8.06kΩ)

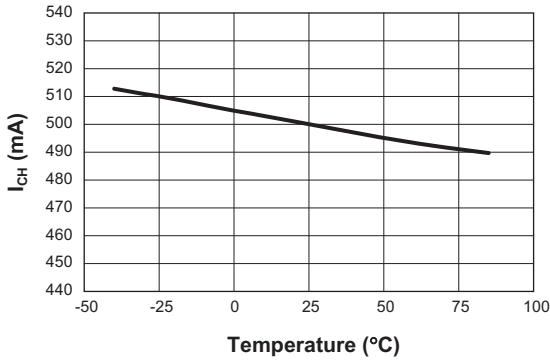


AAT3688

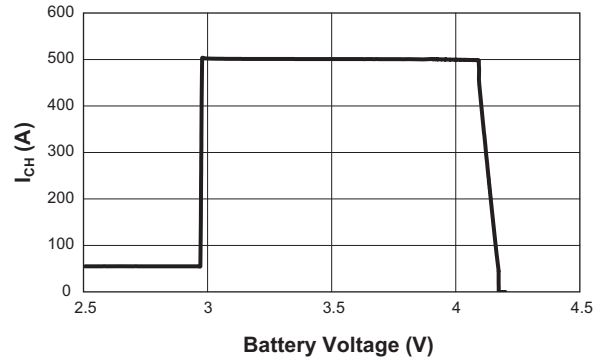
USB Port Li-Ion/Polymer Battery Charger

Typical Characteristics

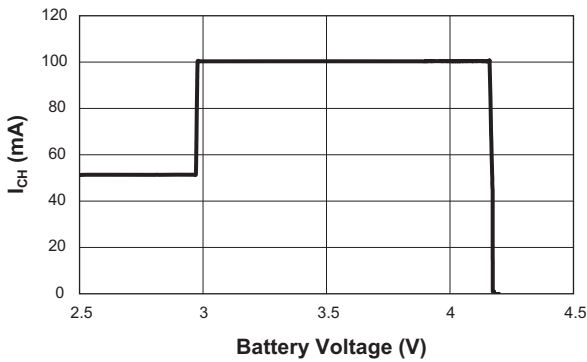
Fast Charge Current vs. Temperature
(USBH; USBH = 8.06kΩ)



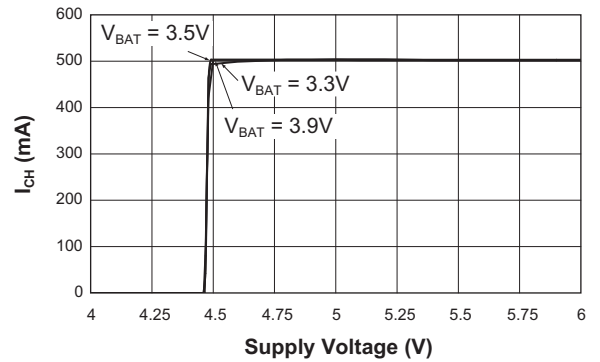
Charging Current vs. Battery Voltage
(USBH; USBH = 8.06kΩ)



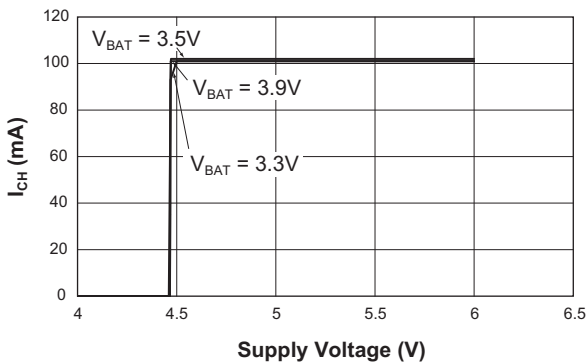
Charging Current vs. Battery Voltage
(USBL; USBL = 40.2kΩ)



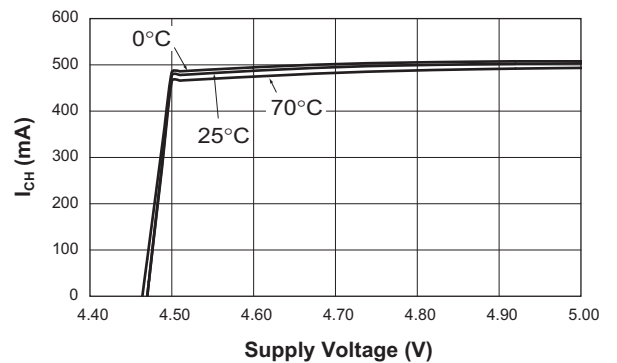
Fast Charge Current vs. Supply Voltage
(USBH; USBH = 8.06kΩ)



Fast Charge Current vs. Supply Voltage
(USBL; USBL = 40.2kΩ)



Fast Charge Current vs. Supply Voltage
(USBH; USBH = 8.06kΩ)

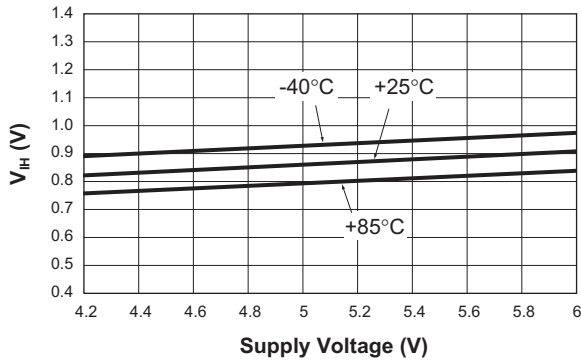


AAT3688

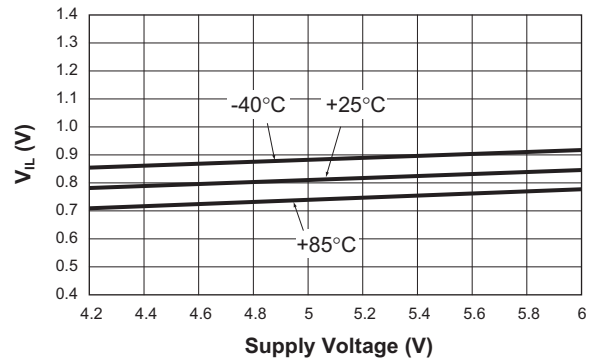
USB Port Li-Ion/Polymer Battery Charger

Typical Characteristics

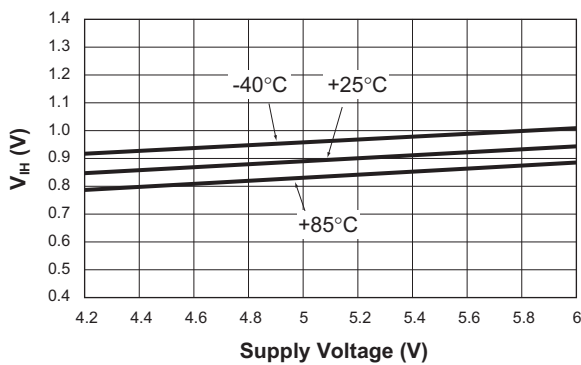
V_{IH} vs. Supply Voltage
EN Pin (Rising)



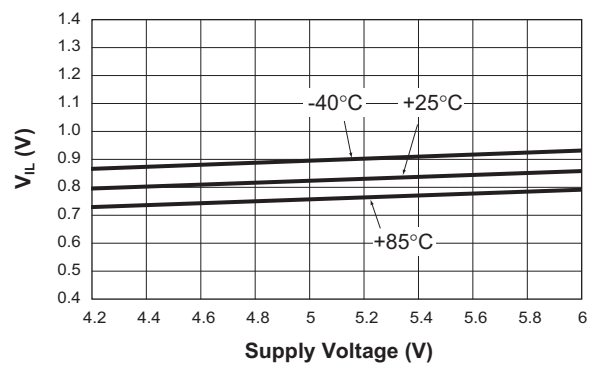
V_{IL} vs. Supply Voltage
EN Pin (Falling)



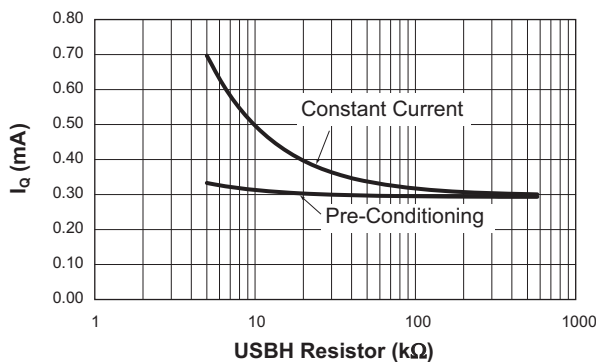
V_{IH} vs. Supply Voltage
USBSEL (Rising)



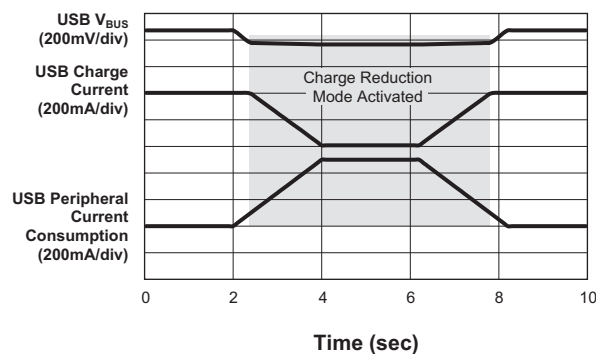
V_{IL} vs. Supply Voltage
USBSEL (Falling)



USB Supply Current vs. USBH Resistor



USB Charge Current vs. Time
(USBH; USBH = 8.06k Ω)

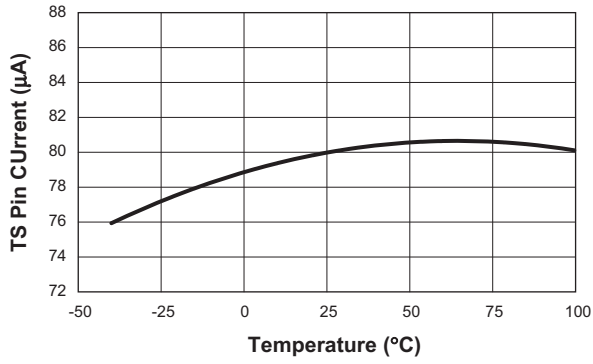


AAT3688

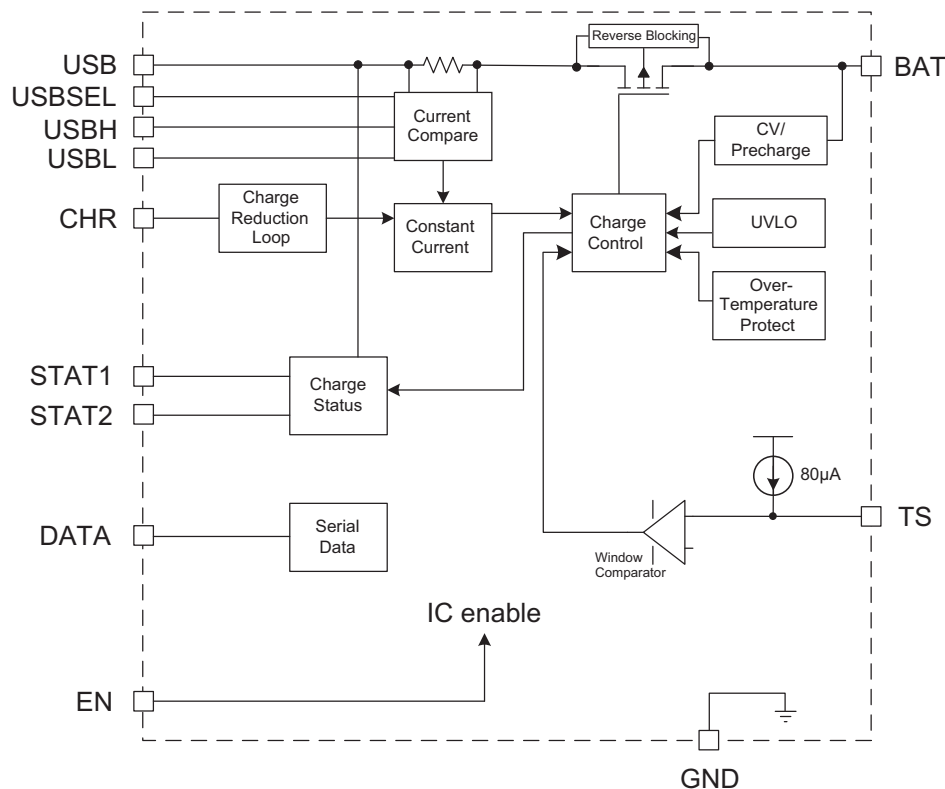
USB Port Li-Ion/Polymer Battery Charger

Typical Characteristics

Temperature Sense Output
Current vs. Temperature



Functional Block Diagram



Functional Description

The AAT3688 is a highly integrated single cell lithium-ion/polymer battery charger IC designed to operate from USB port V_{BUS} supplies, while requiring a minimum number of external components. The device precisely regulates battery charge voltage and current for 4.2V lithium-ion/polymer battery cells.

The AAT3688 is specifically designed to be powered from a USB port V_{BUS} supply, but it can also be powered from any input voltage source capable supplying 4.5V to 5.5V for loads up to 500mA. Depending on the USB port type, the AAT3688 constant charge current can be externally programmed for two levels, USB high and USB low, for maximum constant charge levels up to 500mA. Typically, the USB charge levels are set at 500mA and 100mA for the USBH and USBL modes; however, the user may program either mode to any level they desire below 500mA. The USBH/L mode has an automatic Charge Reduction Loop control to allow users to charge the battery with limited available current from a USB

port while maintaining the regulated port voltage. This system assures the battery charge function will not overload a USB port while charging if other system demands also share power with the respective port supply.

Status monitor output pins are provided to indicate the battery charge status by directly driving two external LEDs. A serial interface output is available to report 14 various charge states to a system microcontroller.

Battery temperature and charge state are fully monitored for fault conditions. In the event of an over-voltage or over-temperature failure, the device will automatically shut down, thus protecting the charging device, control system, and the battery under charge. In addition to internal charge controller thermal protection, the AAT3688 also provides a temperature sense feedback function (TS pin) from the battery to shut down the device in the event the battery exceeds its own thermal limit during charging. All fault events are reported to the user either by the simple status LEDs or via the DATA pin function.

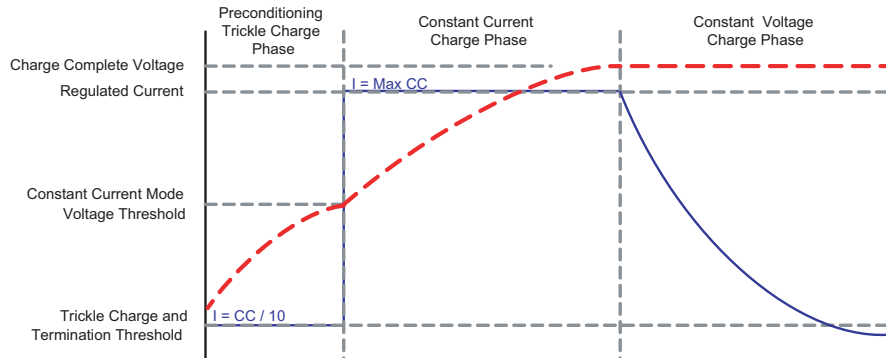
USB Port Li-Ion/Polymer Battery Charger

Figure 1: Current vs. Voltage Profile During Charging Phases.

Charging Operation

The AAT3688 has four basic modes for the battery charge cycle and is powered from the USB input: preconditioning/trickle charge; constant current/fast charge; constant voltage; and end of charge. For reference, Figure 1 shows the current versus voltage profile during charging phases.

Battery Preconditioning

Before the start of charging, the AAT3688 checks several conditions in order to assure a safe charging environment. The input supply must be above the minimum operating voltage, or under-voltage lockout threshold (V_{UVLO}), for the charging sequence to begin. In addition, the cell temperature, as reported by a thermistor connected to the TS pin from the battery, must be within the proper window for safe charging. When these conditions have been met and a battery is connected to the BAT pin, the AAT3688 checks the state of the battery. If the cell voltage is below the Preconditioning Voltage Threshold (V_{MIN}), the AAT3688 begins preconditioning the cell.

The battery preconditioning trickle charge current is equal to the fast charge constant current divided by 10. For example, if the programmed fast charge current is 500mA, then the preconditioning mode (trickle charge) current will be 50mA. Cell preconditioning is a safety precaution for a deeply discharged battery and also aids in limiting power dissipation in the pass transistor when the voltage across the device is at the greatest potential.

Fast Charge / Constant Current Charging

Battery cell preconditioning continues until the voltage on the BAT pin exceeds the Preconditioning Voltage Threshold (V_{MIN}). At this point, the AAT3688 begins the

constant current fast charging phase. The fast charge constant current (I_{CC}) amplitude is determined by the selected charge mode USBH or USBL and is programmed by the user via the R_{SETH} and R_{SETL} resistors. The AAT3688 remains in constant current charge mode until the battery reaches the voltage regulation point, V_{BAT} .

Constant Voltage Charging

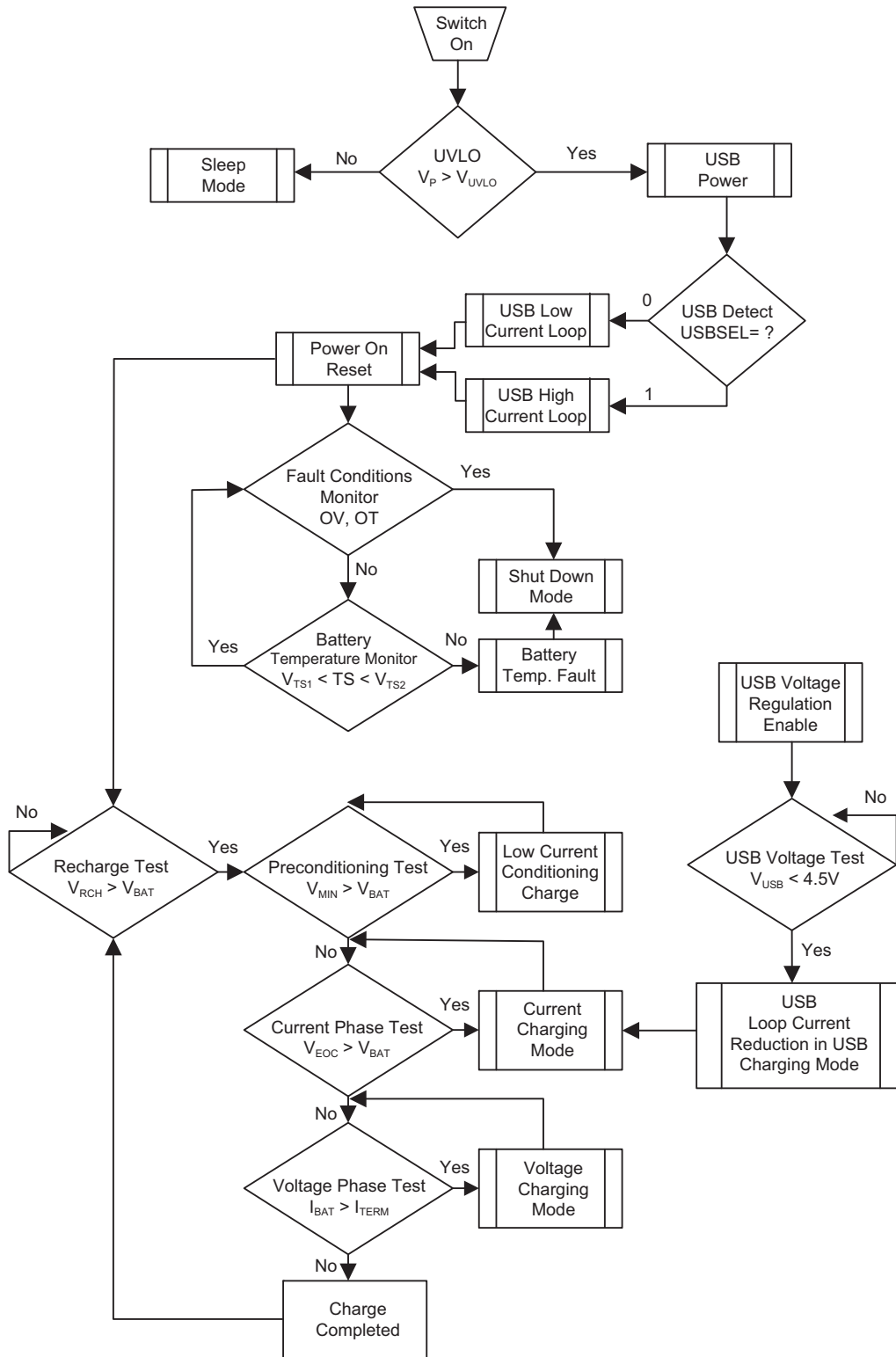
The system transitions to a constant voltage charging mode when the battery voltage reaches output charge regulation threshold (V_{BAT}) during the constant current, fast charge phase. The regulation voltage level is factory programmed to 4.2V (1%). The charge current in the constant voltage mode drops as the battery cell under charge reaches its maximum capacity.

End of Charge Cycle Termination and Recharge Sequence

When the charge current drops to 7.5% of the programmed fast charge current level in the constant voltage mode, the device terminates charging and goes into a sleep state. The charger will remain in a sleep state until the battery voltage decreases to a level below the battery recharge voltage threshold (V_{RCH}).

When the input supply is disconnected, the charger will also automatically enter power-saving sleep mode. Only consuming an ultra-low 0.3 μ A in sleep mode, the AAT3688 minimizes battery drain when it is not charging. This feature is particularly useful in applications where the input supply level may fall below the battery charge or under-voltage lockout level. In such cases where the AAT3688 input voltage drops, the device will enter the sleep mode and automatically resume charging once the input supply has recovered from its fault condition.

System Operation Flow Chart



USB Port Li-Ion/Polymer Battery Charger

Application Information

USB System Power Charging

The USB charge mode provides two programmable fast charge levels up to 500mA for each, USB high and USB low, USBH and USBL, respectively. The USBH or USBL modes may be externally selected by the USB select pin (USBSEL). When the USBSEL pin is connected to a logic high level, the USBH level will be active. Conversely, when USBSEL is pulled to a logic low level (ground), the USBL level will be used for fast charging. Typically USBH is set for 500mA and USBL is set for 100mA. However, these two USB charge levels may be user programmed to any level between 50mA and 500mA by selecting the appropriate resistor values for R_{SETH} and R_{SETL} . Refer to Table 1 for recommended R_{SETH} and R_{SETL} values for the desired USB input constant current charge levels.

USB Charge Reduction

In many instances, product system designers do not know the real properties of a potential USB port to be used to supply power to the battery charger. Typical powered USB ports commonly found on desktop and notebook PCs should supply up to 500mA. In the event a USB port being used to supply the charger is unable to provide the programmed fast charge current, or if the system under charge must also share supply current with other functions, the AAT3688 will automatically reduce USB fast charge current to maintain port integrity and protect the host system.

The USB charge reduction system becomes active when the voltage on the USB input falls below the USB charge reduction threshold (V_{USBCHR}), which is typically 4.5V. Regardless of which USB charge function is selected (USBH or USBL), the charge reduction system will reduce the fast charge current level in a linear fashion until the voltage sensed on the USB input recovers above the charge reduction threshold voltage. The USB charge reduction threshold (V_{USBCHR}) may be externally set to a value lower than 4.5V by placing a resistor divider network between V_{USB} and ground with the center connected to the CHR pin. The USB charge reduction feature may be disabled by connecting a 10k Ω resistor from the CHR pin directly to the USB input pin.

The following equation may be used to approximate a USB charge reduction threshold below 4.5V:

$$\text{Eq. 1: } V_{USBCHR} = 2.0V \div \frac{R12}{R12 + R11}$$

where $R11/R12 \ll 1M\Omega$.

I_{CC}	USB R_{SET} (k Ω)	USBL R_{SET} (k Ω)
50	86.6	86.6
75	57.6	57.6
100	42.2	42.2
200	21.0	20.5
300	13.7	13.7
400	10.2	10.2
500	8.06	8.06

Table 1: Recommended R_{SET} Values.

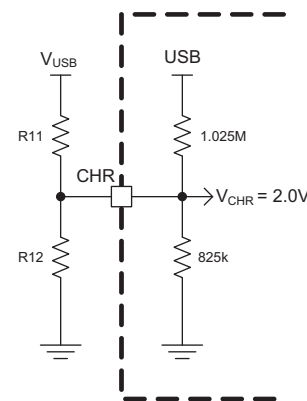


Figure 2: Internal Equivalent Circuit for the CHR Pin.

USB Input Charge Inhibit and Resume

The AAT3688 UVLO and power on reset feature will function when the USB input pin voltage level drops below the UVLO threshold. At this point, the charger will suspend charging and shut down. When power is re-applied to the USB pin or the UVLO condition recovers, the system charge control will assess the state of charge on the battery cell and will automatically resume charging in the appropriate mode for the condition of the battery.

Enable / Disable

The AAT3688 provides an enable function to control the charger IC on and off. The enable (EN) pin is an active high. When pulled to a logic low level, the AAT3688 will be shut down and forced into the sleep state. Charging will be halted regardless of the battery voltage or charging state. When the device is re-enabled, the charge control circuit will automatically reset and resume charging functions with the appropriate charging mode based on the battery charge state and measured cell voltage.

USB Port Li-Ion/Polymer Battery Charger**Programming Charge Current**

The fast charge constant current charge level for the USB input is programmed with set resistors placed between the USBH and USBL pins and ground. The accuracy of the fast charge, as well as the preconditioning trickle charge current, is dominated by the tolerance of the set resistors used. For this reason, 1% tolerance metal film resistors are recommended for programming the desired constant current level.

The USB input fast charge constant current charge control provides for two current set levels, USBH and USBL. The USBSEL pin is used to select the high or low charge current levels in the USB charge mode. When the USBSEL pin is pulled to a voltage level above the $V_{\text{USBSEL(H)}}$ threshold, the USBH current level will be selected. Conversely, this pin should be pulled below the $V_{\text{USBSEL(L)}}$ to enable the USBL charge level. Typically, the two R_{SETH} and R_{SETL} for the USBH and USBL functions are fixed for 500mA and 100mA USB fast charge levels. However, these two charge levels may be set to any level between 50mA and 500mA, depending upon the system design requirements for a given USB charge application. Refer to Table 1 and Figure 3 for recommended R_{SETH} and R_{SETL} values.

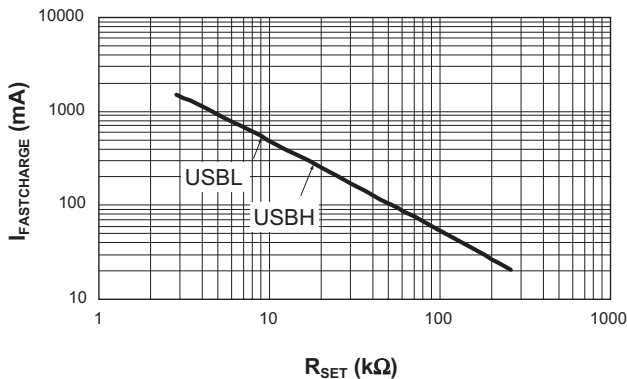


Figure 3: $I_{\text{FASTCHARGE}}$ VS. R_{SET} .

Protection Circuitry**Over-Voltage Protection**

An over-voltage event is defined as a condition where the voltage on the BAT pin exceeds the maximum battery charge voltage and is set by the over-voltage protection threshold (V_{OVP}). If an over-voltage condition occurs, the AAT3688 charge control will shut down the device until voltage on the BAT pin drops below the over-voltage protection threshold (V_{OVP}). The AAT3688 will resume normal charging operation after the over-voltage

condition is removed. During an over-voltage event, the STAT LEDs will report a system fault; the actual fault condition may also be read via the DATA pin signal.

Over-Temperature Shutdown

The AAT3688 has a thermal protection control circuit which will shut down charging functions should the internal die temperature exceed the preset thermal limit threshold.

Battery Temperature Fault Monitoring

In the event of a battery over-temperature condition, the charge control will turn off the internal pass device and report a battery temperature fault on the DATA pin function. The STAT LEDs will also display a system fault. After the system recovers from a temperature fault, the device will resume charging operation.

The AAT3688 checks battery temperature before starting the charge cycle, as well as during all stages of charging. This is accomplished by monitoring the voltage at the TS pin. This system is intended for use negative temperature coefficient (NTC) thermistors which are typically integrated into the battery package. Most commonly used NTC thermistors used in battery packs are approximately 10kΩ at room temperature (25°C). The TS pin has been specifically designed to source 80μA of current to the thermistor. The voltage on the TS pin that results from the resistive load should stay within a window from 335mV to 2.32V. If the battery becomes too hot during charging due to an internal fault, the thermistor will heat up and reduce in value, thus pulling the TS pin voltage lower than the TS1 threshold, and the AAT3688 will halt charging and signal the fault condition. If the use of the TS pin function is not required by the system, it should be terminated to ground using a 10kΩ resistor.

Battery Charge Status Indication

The AAT3688 indicates the status of the battery under charge with two different systems. First, the device has two status LED driver outputs. These two LEDs can indicate simple functions such as no battery charge activity, battery charging, charge complete, and charge fault. The AAT3688 also provides a bi-directional data reporting function so that a system microcontroller may interrogate the DATA pin and read any one of 14 system states.

Status Indicator Display

Simple system charging status may be displayed using one or two LEDs in conjunction with the STAT1 and

USB Port Li-Ion/Polymer Battery Charger

STAT2 pins on the AAT3688. These two pins are simple switches to connect the display LED cathodes to ground. It is not necessary to use both display LEDs if a user simply wants to have a single lamp to show “charging” or “not charging.”

This can be accomplished by just using the STAT1 pin and a single LED. Using two LEDs and both STAT pins simply gives the user more information for charging states. Refer to Table 2 for LED display definitions.

Event Description	STAT1	STAT2
Charge Disabled or Low Supply	Off	Off
Charge Enabled Without Battery	Flash ¹	Flash ¹
Battery Charging	On	Off
Charge Completed	Off	On
Fault	On	On

Table 2: LED Display Status Conditions.

The LED anodes should be connected to V_{USB} . The LEDs should be biased with as little current as necessary to create reasonable illumination; therefore, a ballast resistor should be placed between each of the LED cathodes and the STAT1/2 pins. LED current consumption will add to the over-thermal power budget for the device package, hence it is recommended to keep the LED drive current to a minimum. 2mA should be sufficient to drive most low-cost green, red, or multi-color LEDs. It is not recommended to exceed 8mA for driving an individual status LED.

The required ballast resistor value can be estimated using the following formulas:

$$\text{Eq. 2: } R_{B(\text{STAT1/2})} = \frac{(V_{\text{USB}} - V_{F(\text{LED})})}{I_{\text{LED}(\text{STAT1/2})}}$$

Example:

$$R_{B(\text{STAT1})} = \frac{(5.0\text{V} - 2.0\text{V})}{2\text{mA}} = 1.5\text{k}\Omega$$

Note: Red LED forward voltage (V_F) is typically 2.0V @ 2mA.

Table 2 shows the four status LED display conditions.

Digital Charge Status Reporting

The AAT3688 has a comprehensive digital data reporting system by use of the DATA pin feature. This function can provide detailed information regarding the state of the charging system. The DATA pin is a bi-directional port which will read back a series of data pulses when the system microcontroller asserts a request pulse. This single strobe request protocol will invoke one of 14 possible return pulse counts in which the microcontroller can look up based on the serial report shown in Table 3.

The DATA pin function is active low and should normally be pulled high to V_{USB} . This data line may also be pulled high to the same level as the high state for the logic I/O port on the system microcontroller. In order for the DATA pin control circuit to generate clean sharp edges for the data output and to maintain the integrity of the data timing for the system, the pull-up resistor on the data line should be low enough in value so that the DATA signal returns to the high state without delay. If the value of the pull-up resistor used is too high, the strobe pulse from the system microcontroller may exceed the maximum pulse time and the DATA output control could issue false status reports. A 1.5k Ω resistor is recommended when pulling the DATA pin high to 5.0V at the V_{USB} input. If the data line is pulled high to a voltage level less than 5.0V, the pull-up resistor may be calculated based on a recommended minimum pull-up current of 3mA. Use the following formula:

$$\text{Eq. 3: } R_{B(\text{STAT1/2})} = \frac{(V_{\text{USB}} - V_{F(\text{LED})})}{I_{\text{LED}(\text{STAT1/2})}}$$

1. Flashing rate depends on output capacitance.

USB Port Li-Ion/Polymer Battery Charger

N	DATA Report Status
1	Chip Over-Temperature Shutdown
2	Battery Temperature Fault
3	Over-Voltage Turn Off
4	Not Used
5	Not Used
6	Not Used
7	Not Used
8	Not Used
9	Not Used
10	Not Used
11	Not Used
12	Not Used
13	USBH Battery Condition Mode
14	USBH Charge Reduction in Constant Current Mode
15	USBH Constant Current Mode
16	USBH Constant Voltage Mode
17	USBH End of Charging
18	USBL Battery Condition Mode
19	USBL Charge End of Charging Reduction in Constant Current Mode
20	USBL Constant Current Mode
21	USBL Constant Voltage Mode
22	USBL End of Charging
23	Data Report Error

Table 3: Serial Data Report Table.

Data Timing

The system microcontroller should assert an active low data request pulse for minimum duration of 200ns; this is specified by $T_{LO(DATA)}$. Upon sensing the rising edge of the end of the data request pulse, the AAT3688 status data control will reply the data word back to the system microcontroller after a delay specified by the data report time specification $T_{DATA(RPT)}$. The period of the following group of data pulses will be specified by the T_{DATA} specification.

Thermal Considerations

The AAT3688 is packaged in a Pb-free, 3x3mm TDFN package which can provide up to 2.0W of power dissipation when it is properly bonded to a printed circuit board and has a maximum thermal resistance of 50°C/W. Many considerations should be taken into account when designing the printed circuit board layout, as well as the placement of the charger IC package in proximity to other heat generating devices in a given application design. The ambient temperature around the charger IC will also have an affect on the thermal limits of a battery charging application. The maximum limits that can be expected for a given ambient condition can be estimated by the following discussion.

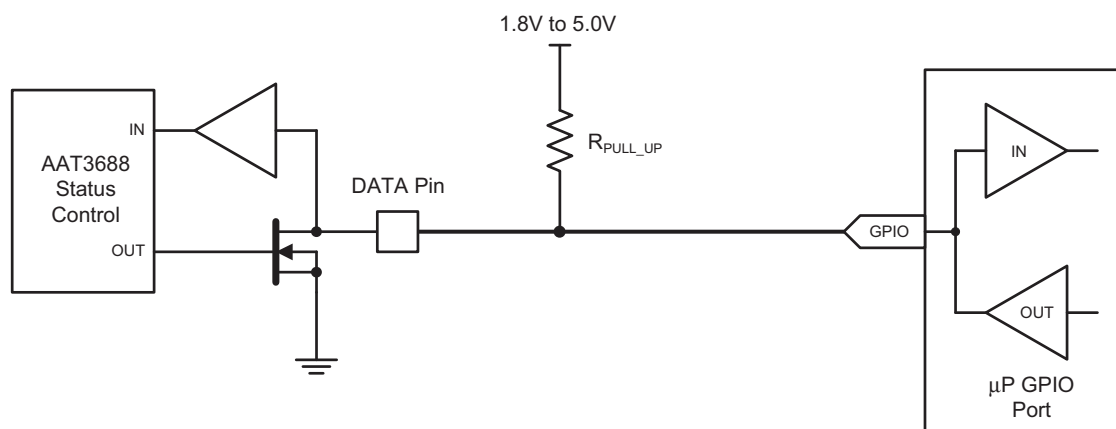
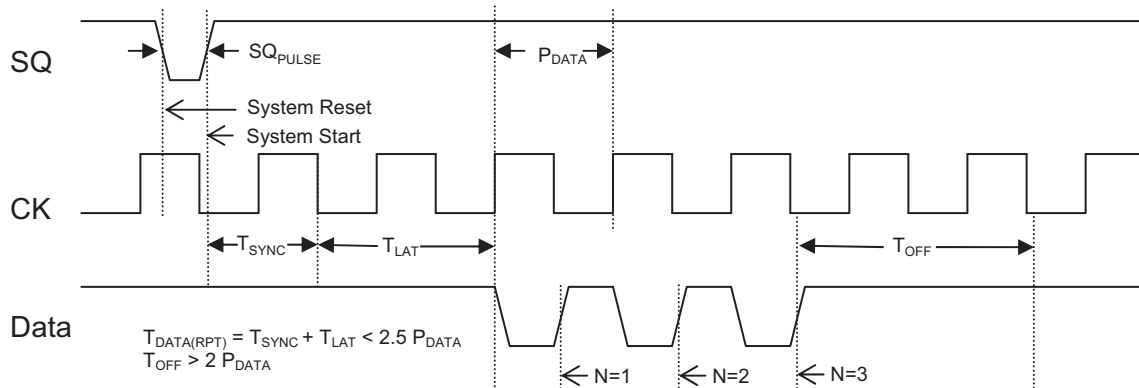


Figure 4: Data Pin Application Circuit.

Timing Diagram



First, the maximum power dissipation for a given situation should be calculated:

$$\text{Eq. 4: } P_D = [(V_{IN} - V_{BAT}) \cdot I_{CC} + (V_{IN} \cdot I_{OP})]$$

Where:

- P_D = Total Power Dissipation by the Device
- V_{IN} = Input Voltage Level, V_{USB}
- V_{BAT} = Battery Voltage as Seen at the BAT Pin
- I_{CC} = Maximum Constant Fast Charge Current Programmed for the Application
- I_{OP} = Quiescent Current Consumed by the Charger IC for Normal Operation

Next, the maximum operating ambient temperature for a given application can be estimated based on the thermal resistance of the 3x3mm TDFN package when sufficiently mounted to a PCB layout and the internal thermal loop temperature threshold.

$$\text{Eq. 5: } T_A = T_J - (\theta_{JA} \cdot P_D)$$

Where:

- T_A = Ambient Temperature in Degrees C
- T_J = Maximum Device Junction Temperature Protected by the Thermal Limit Control
- P_D = Total Power Dissipation by the Device
- θ_{JA} = Package Thermal Resistance in $^{\circ}\text{C/W}$

Example:

For an application where the fast charge current is set to 500mA, $V_{USB} = 5.0\text{V}$ and the worst case battery voltage at 3.0V, what is the maximum ambient temperature at which the thermal limiting will become active?

Given:

- $V_{ADP} = 5.0\text{V}$
- $V_{BAT} = 3.0\text{V}$
- $I_{CC} = 500\text{mA}$
- $I_{OP} = 0.75\text{mA}$
- $T_J = 140^{\circ}\text{C}$
- $\theta_{JA} = 50^{\circ}\text{C/W}$

Using Equation 4, calculate the device power dissipation for the stated condition:

$$\begin{aligned} \text{Eq. 6: } P_D &= (5.0\text{V} - 3.0\text{V})(500\text{mA}) + (5.0\text{V} \cdot 0.75\text{mA}) \\ &= 1.00375\text{W} \end{aligned}$$

The maximum ambient temperature before the AAT3688 thermal limit protection will shut down charging can now be calculated using Equation 5:

$$\begin{aligned} \text{Eq. 7: } T_A &= 140^{\circ}\text{C} - (50^{\circ}\text{C/W} \cdot 1.00375\text{W}) \\ &= 89.81^{\circ}\text{C} \end{aligned}$$

Therefore, under the stated conditions for this worst case power dissipation example, the AAT3688 will suspend charging operations when the ambient operating temperature rises above 89.81 $^{\circ}\text{C}$.

USB Port Li-Ion/Polymer Battery Charger**Capacitor Selection****Input Capacitor**

In general, it is good design practice to place a decoupling capacitor between the V_{USB} pin and ground. An input capacitor in the range of $1\mu\text{F}$ to $22\mu\text{F}$ is recommended. If the source supply is unregulated, it may be necessary to increase the capacitance to keep the input voltage above the under-voltage lockout threshold during device enable and when battery charging is initiated.

If the AAT3688 USB input is to be used in a system with an external power supply source rather than a USB port V_{BUS} , such as a typical AC-to-DC wall adapter, then a C_{IN} capacitor in the range of $10\mu\text{F}$ should be used. A larger input capacitor in this application will minimize switching or power bounce effects when the power supply is "hot plugged" in. Likewise, a $10\mu\text{F}$ or greater input capacitor is recommended for the USB input to help buffer the effects of USB source power switching noise and input cable impedance.

Output Capacitor

The AAT3688 only requires a $1\mu\text{F}$ ceramic capacitor on the BAT pin to maintain circuit stability. This value should be increased to $10\mu\text{F}$ or more if the battery connection is made any distance from the charger output. If the AAT3688 is to be used in applications where the battery can be removed from the charger, such as in the case of desktop charging cradles, an output capacitor greater than $10\mu\text{F}$ may be required to prevent the device from cycling on and off when no battery is present.

**Printed Circuit Board
Layout Considerations**

For the best results, it is recommended to physically place the battery pack as close as possible to the AAT3688 BAT pin. To minimize voltage drops on the PCB, keep the high current carrying traces adequately wide. For maximum power dissipation of the AAT3688 $3\times 3\text{mm}$ TDFN package, the metal substrate should be solder bonded to the board. It is also recommended to maximize the substrate contact to the PCB ground plane layer to further increase local heat dissipation. Refer to the AAT3688 evaluation board for a good layout example (see Figures 5 and 6).

DATA SHEET

AAT3688

USB Port Li-Ion/Polymer Battery Charger

AAT3688 Evaluation Board Layout

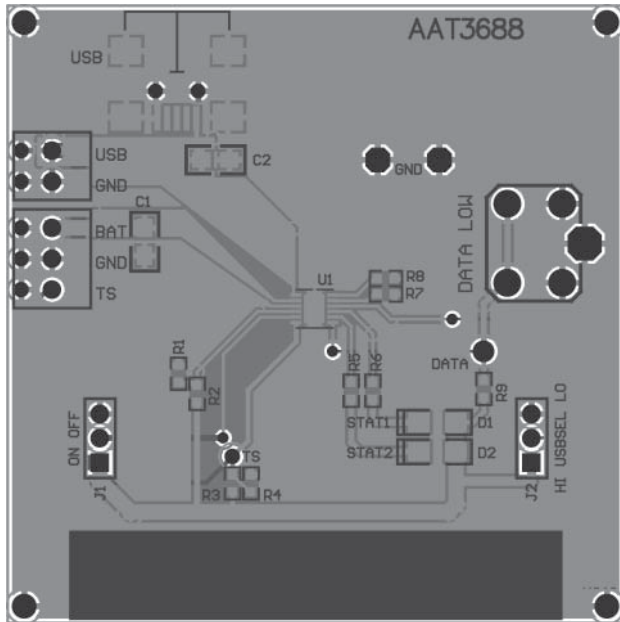


Figure 5: AAT3688 Evaluation Board Component Side Layout.

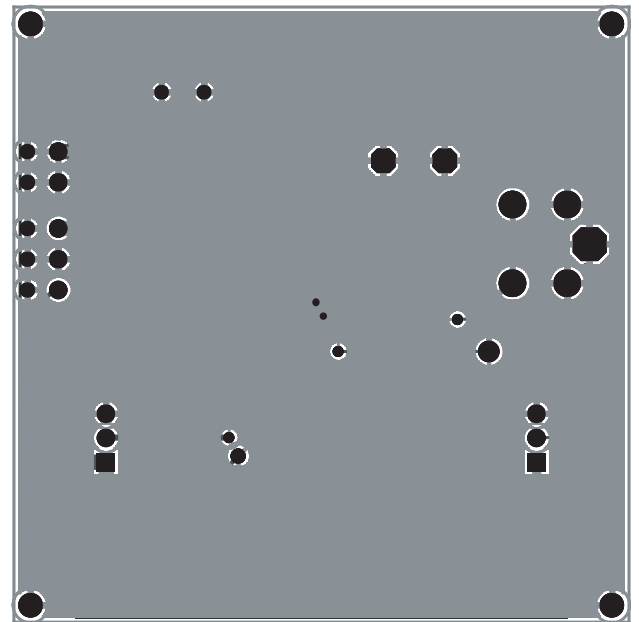
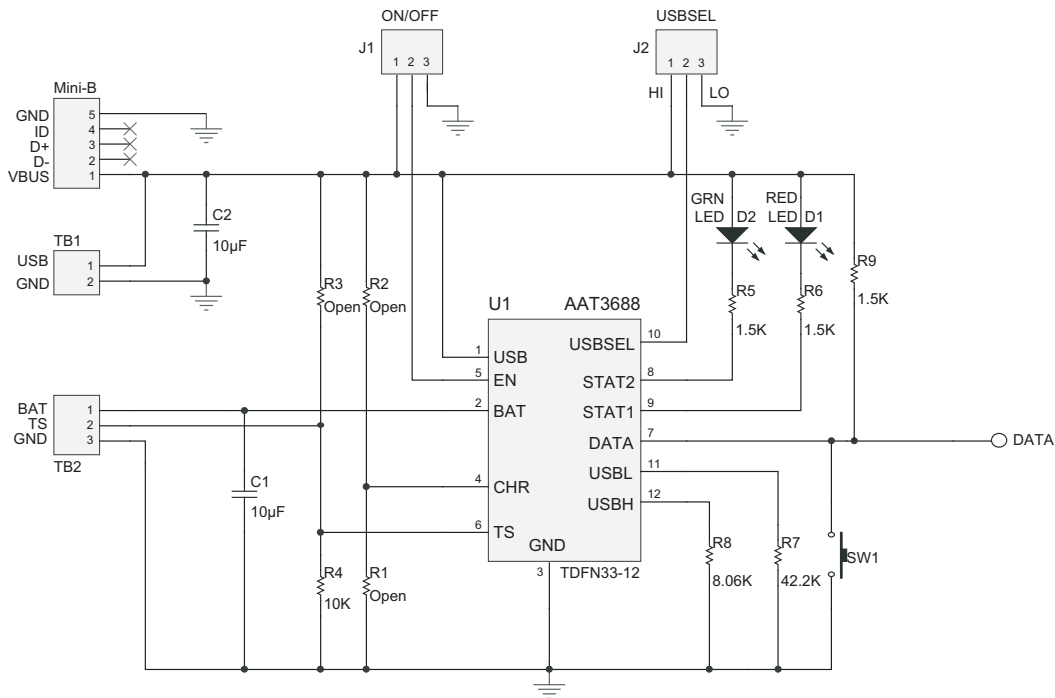


Figure 6: AAT3688 Evaluation Board Solder Side Layout.

AAT3688 Evaluation Board Schematic Diagram



DATA SHEET

AAT3688

USB Port Li-Ion/Polymer Battery Charger

AAT3688 Evaluation Board Bill of Materials (BOM)

Quantity	Description	Desig.	Footprint	Manufacturer	Part Number
1	Test Pin	DATA	PAD	Mill-Max	6821-0-0001-00-00-08-0
1	Connecting Terminal Block, 2.54mm, 2 Pos	USB, GND	TBLOK2	Phoenix Contact	277-1274-ND
1	Connecting Terminal Block, 2.54mm, 3 Pos	BAT, GND, TS	TBLOK3	Phoenix Contact	277-1273-ND
1	USB 2.0 Receptacle, 5 Pos	USB	USB-MINI-B	Hirose Electronic Co. Ltd.	H2959CT-ND
2	Capacitor, Ceramic, 10 μ F 6.3V 10% X5R 0805	C1, C2	0805	Murata	490-1717-1-ND
1	Typical Red LED, Super Bright	D1	1206LED	Chicago Miniature Lamp	CMD15-21SRC/TR8
1	Typical Green LED	D2	1206LED	Chicago Miniature Lamp	CMD15-21VGC/TR8
2	Header, 3-Pin	J1, J2	HEADER2MM-3	Sullins	6821-0-0001-00-00-08-0
1	Resistor, 10k Ω 1/16W 5% 0603 SMD	R4	0603	Panasonic/ECG	P10KCFCT-ND
3	Resistor, 1.5k Ω 1/16W 1% 0603 SMD	R5, R6, R9	0603	Panasonic/ECG	P1.5KHTR-ND
1	Resistor, 42.2k Ω 1/16W 1% 0603 SMD	R7	0603	Panasonic/ECG	P42.2KHTR-ND
1	Resistor, 8.06k Ω 1/16W 1% 0603 SMD	R8	0603	Panasonic/ECG	P8.06KHCT-ND
1	Switch Tact 6mm SPST H = 5.0mm	SW1	SWITCH	ITT Industries/ C&K Div.	CKN9012-ND
1	AAT3688 USB Port Lithium-Ion/ Polymer Battery Charger	U1	TDFN33-12	Skyworks	AAT3688IWP

AAT3688

USB Port Li-Ion/Polymer Battery Charger

Ordering Information

Package	Marking ¹	Part Number (Tape and Reel) ²
TDFN33-12	PKXY	AAT3688IWP-4.2-T1

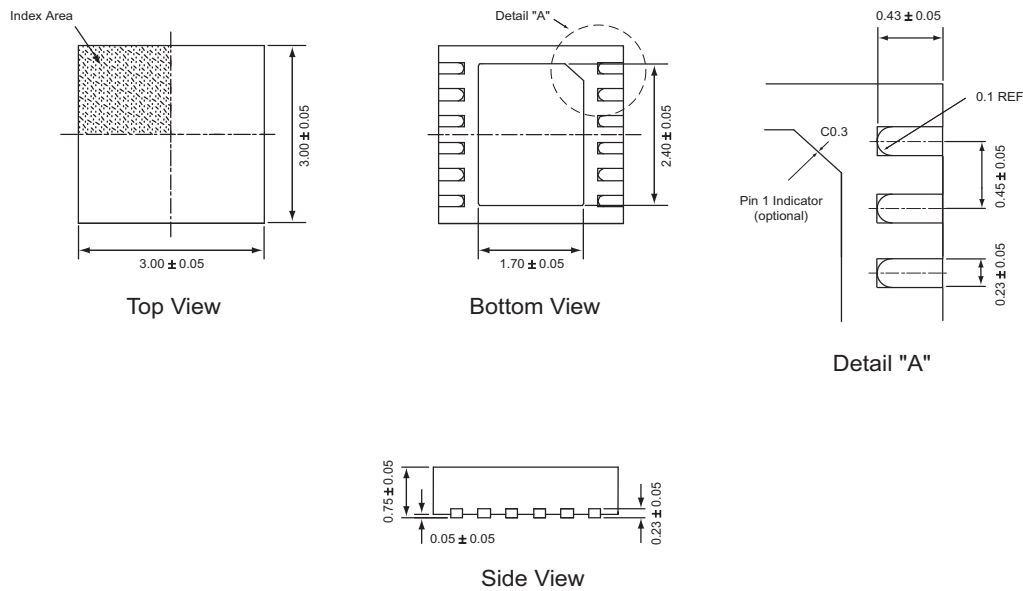


Skyworks Green™ products are compliant with all applicable legislation and are halogen-free.



For additional information, refer to *Skyworks Definition of Green™*, document number SQ04-0074.

Package Information³



All dimensions in millimeters.

1. XY = assembly and date code.
2. Sample stock is generally held on part numbers listed in **BOLD**.
3. The leadless package family, which includes QFN, TQFN, DFN, TDFN and STDN, has exposed copper (unplated) at the end of the lead terminals due to the manufacturing process. A solder fillet at the exposed copper edge cannot be guaranteed and is not required to ensure a proper bottom solder connection.

Copyright © 2012 Skyworks Solutions, Inc. All Rights Reserved.

Information in this document is provided in connection with Skyworks Solutions, Inc. ("Skyworks") products or services. These materials, including the information contained herein, are provided by Skyworks as a service to its customers and may be used for informational purposes only by the customer. Skyworks assumes no responsibility for errors or omissions in these materials or the information contained herein. Skyworks may change its documentation, products, services, specifications or product descriptions at any time, without notice. Skyworks makes no commitment to update the materials or information and shall have no responsibility whatsoever for conflicts, incompatibilities, or other difficulties arising from any future changes.

No license, whether express, implied, by estoppel or otherwise, is granted to any intellectual property rights by this document. Skyworks assumes no liability for any materials, products or information provided hereunder, including the sale, distribution, reproduction or use of Skyworks products, information or materials, except as may be provided in Skyworks Terms and Conditions of Sale.

THE MATERIALS, PRODUCTS AND INFORMATION ARE PROVIDED "AS IS" WITHOUT WARRANTY OF ANY KIND, WHETHER EXPRESS, IMPLIED, STATUTORY, OR OTHERWISE, INCLUDING FITNESS FOR A PARTICULAR PURPOSE OR USE, MERCHANTABILITY, PERFORMANCE, QUALITY OR NON-INFRINGEMENT OF ANY INTELLECTUAL PROPERTY RIGHT; ALL SUCH WARRANTIES ARE HEREBY EXPRESSLY DISCLAIMED. SKYWORKS DOES NOT WARRANT THE ACCURACY OR COMPLETENESS OF THE INFORMATION, TEXT, GRAPHICS OR OTHER ITEMS CONTAINED WITHIN THESE MATERIALS. SKYWORKS SHALL NOT BE LIABLE FOR ANY DAMAGES, INCLUDING BUT NOT LIMITED TO ANY SPECIAL, INDIRECT, INCIDENTAL, STATUTORY, OR CONSEQUENTIAL DAMAGES, INCLUDING WITHOUT LIMITATION, LOST REVENUES OR LOST PROFITS THAT MAY RESULT FROM THE USE OF THE MATERIALS OR INFORMATION, WHETHER OR NOT THE RECIPIENT OF MATERIALS HAS BEEN ADVISED OF THE POSSIBILITY OF SUCH DAMAGE.

Skyworks products are not intended for use in medical, lifesaving or life-sustaining applications, or other equipment in which the failure of the Skyworks products could lead to personal injury, death, physical or environmental damage. Skyworks customers using or selling Skyworks products for use in such applications do so at their own risk and agree to fully indemnify Skyworks for any damages resulting from such improper use or sale.

Customers are responsible for their products and applications using Skyworks products, which may deviate from published specifications as a result of design defects, errors, or operation of products outside of published parameters or design specifications. Customers should include design and operating safeguards to minimize these and other risks. Skyworks assumes no liability for applications assistance, customer product design, or damage to any equipment resulting from the use of Skyworks products outside of stated published specifications or parameters.

Skyworks, the Skyworks symbol, and "Breakthrough Simplicity" are trademarks or registered trademarks of Skyworks Solutions, Inc., in the United States and other countries. Third-party brands and names are for identification purposes only, and are the property of their respective owners. Additional information, including relevant terms and conditions, posted at www.skyworksinc.com, are incorporated by reference.