

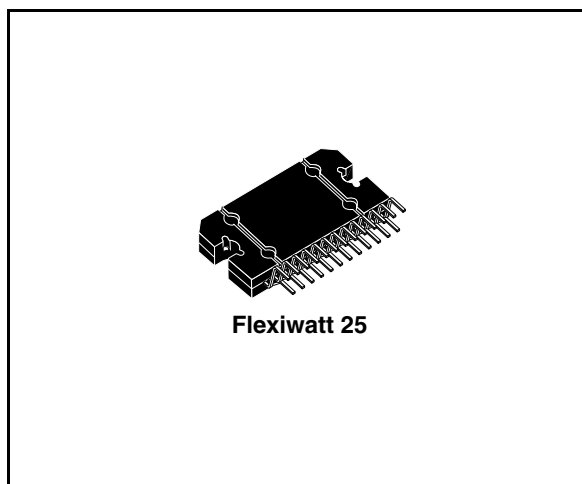
## 4 x 45W quad bridge car radio amplifier

### Features

- High output power:
  - 4 x 45 W / 4  $\Omega$  max.
  - 4 x 28 W / 4  $\Omega$  @ 14.4 V, 1 kHz, 10 %
- Low distortion
- Low output noise
- Standby function
- Mute function
- Automute at min. supply voltage detection
- Low external component count:
  - Internally fixed gain (26 dB)
  - No external compensation
  - No bootstrap capacitors
- Clipping detector
- Diagnostic facility for:
  - Out to GND short
  - Out to  $V_S$  short
  - Thermal shutdown

### Protections

- Output short circuit to GND, to  $V_S$ , across the load
- Very inductive loads
- Overrating chip temperature with soft thermal limiter



- Load dump voltage
- Fortuitous open GND
- Reversed battery
- ESD

### Description

The TDA7389 is an AB class audio power amplifier, packaged in Flexiwatt 25 and designed for high end car radio applications.

Based on a fully complementary PNP/NPN configuration the TDA7389 allows a rail to rail output voltage swing with no need of bootstrap capacitors.

**Table 1. Device summary**

Order code	Package	Packing
TDA7389	Flexiwatt 25	Tube

# Contents

- 1 Pin connection and block diagrams . . . . . 5**
  
- 2 Electrical specifications . . . . . 6**
  - 2.1 Absolute maximum ratings . . . . . 6
  - 2.2 Thermal data . . . . . 6
  - 2.3 Electrical characteristics . . . . . 6
  - 2.4 Electrical characteristic curves . . . . . 8
  - 2.5 Test and application circuit . . . . . 10
  
- 3 Application hints . . . . . 11**
  - 3.1 SVR . . . . . 11
  - 3.2 Input stage . . . . . 11
  - 3.3 Standby and muting . . . . . 11
  
- 4 Package information . . . . . 12**
  
- 5 Revision history . . . . . 13**

## List of tables

Table 1.	Device summary . . . . .	1
Table 2.	Absolute maximum ratings . . . . .	6
Table 3.	Thermal data . . . . .	6
Table 4.	Electrical characteristics . . . . .	6
Table 5.	Document revision history . . . . .	13

## List of figures

Figure 1.	Block diagram . . . . .	5
Figure 2.	Pin connection (top view) . . . . .	5
Figure 3.	Quiescent current vs. supply voltage . . . . .	8
Figure 4.	Quiescent output voltage vs. supply voltage . . . . .	8
Figure 5.	Output power vs. supply voltage. . . . .	8
Figure 6.	Maximum output power vs. supply voltage. . . . .	8
Figure 7.	Distortion vs. output power . . . . .	8
Figure 8.	Distortion vs. frequency . . . . .	8
Figure 9.	Supply voltage rejection vs. frequency . . . . .	9
Figure 10.	Crosstalk vs. frequency . . . . .	9
Figure 11.	Output noise vs. source resistance. . . . .	9
Figure 12.	Power dissipation & efficiency vs. output power. . . . .	9
Figure 13.	ITU R-ARM frequency response, weighting filter for transient pop. . . . .	9
Figure 14.	Test and application circuit . . . . .	10
Figure 15.	Flexiwatt25 mechanical data and package dimensions . . . . .	12

# 1 Pin connection and block diagrams

Figure 1. Block diagram

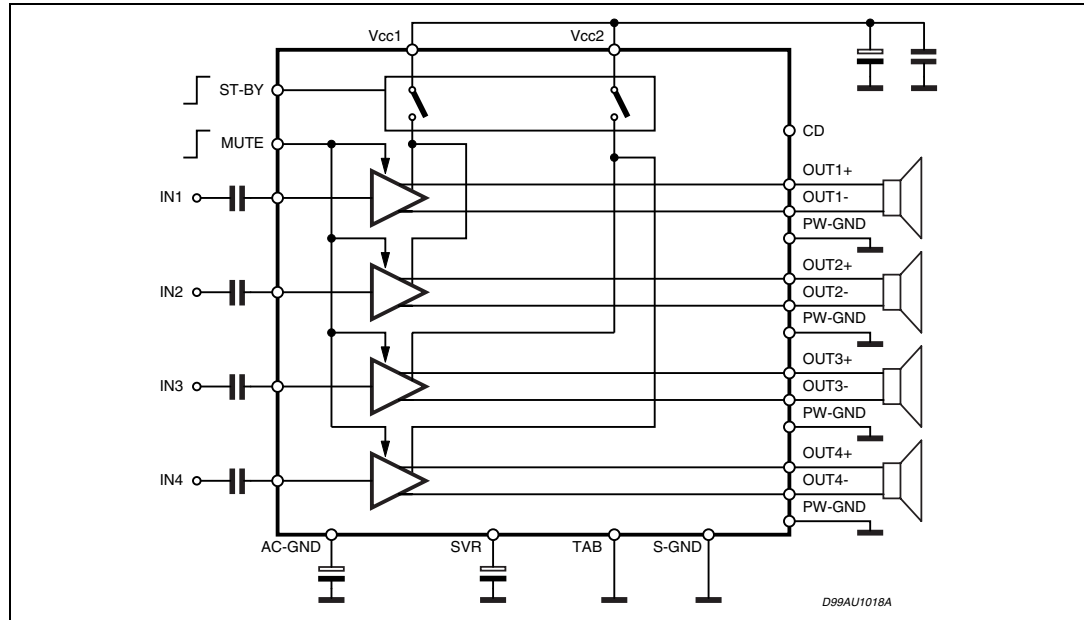
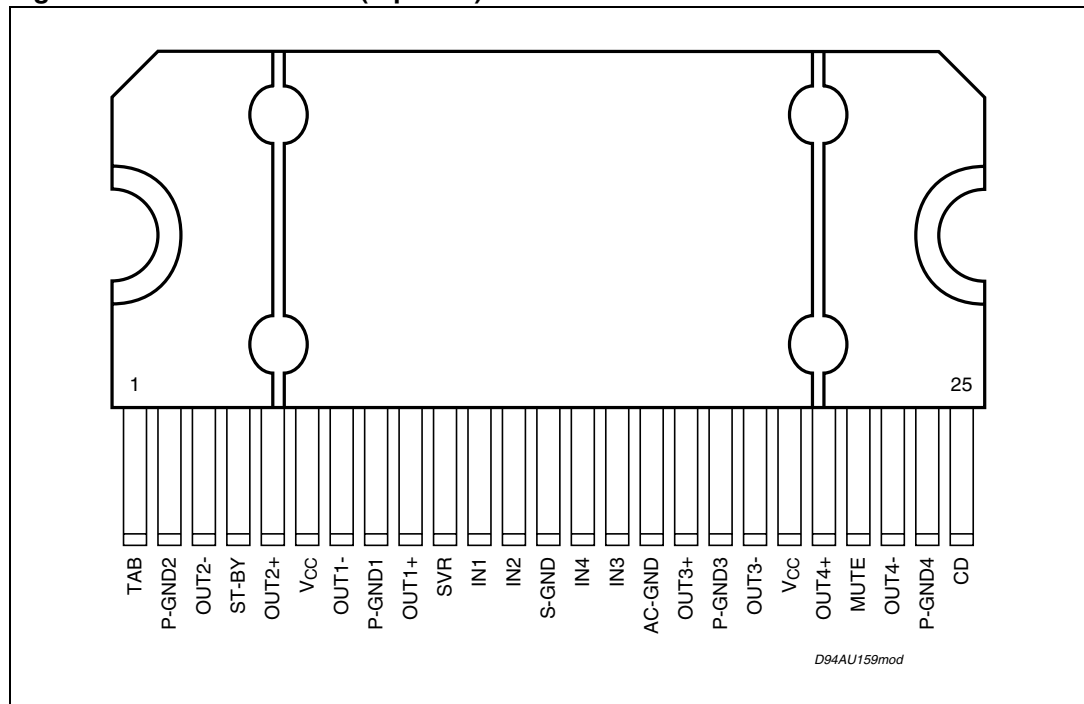


Figure 2. Pin connection (top view)



## 2 Electrical specifications

### 2.1 Absolute maximum ratings

Table 2. Absolute maximum ratings

Symbol	Parameter	Value	Unit
$V_S$	Operating supply voltage	18	V
$V_{S(DC)}$	DC supply voltage	28	V
$V_{S(pk)}$	Peak supply voltage (t = 50 ms)	50	V
$I_O$	Output peak current: Repetitive (duty cycle 10 % at f = 10 Hz)	4.5	A
	Non repetitive (t = 100 $\mu$ s)	5.5	
$P_{tot}$	Power dissipation, ( $T_{case} = 70\text{ }^\circ\text{C}$ )	80	W
$T_j$	Junction temperature	150	$^\circ\text{C}$
$T_{stg}$	Storage temperature	- 55 to 150	$^\circ\text{C}$

### 2.2 Thermal data

Table 3. Thermal data

Symbol	Parameter	Value	Unit
$R_{th\ j-case}$	Thermal resistance junction to case	max. 1	$^\circ\text{C/W}$

### 2.3 Electrical characteristics

Table 4. Electrical characteristics

( $V_S = 14.4\text{ V}$ ; f = 1KHz;  $R_g = 600\Omega$ ;  $R_L = 4\Omega$ ;  $T_{amb} = 25\text{ }^\circ\text{C}$ ; Refer to the test and application diagram ([Figure 14](#)), unless otherwise specified.)

Symbol	Parameter	Test condition	Min.	Typ.	Max.	Unit
$I_{q1}$	Quiescent current	$R_L = \infty$		150	350	mA
$V_{OS}$	Output offset voltage	Play mode			$\pm 80$	mV
$dV_{OS}$	During mute on/off output offset voltage	ITU R-ARM weighted see <a href="#">Figure 13</a>	-10		10	mV
	During standby on/off output offset voltage		-50		50	
$G_V$	Voltage gain		25	26	27	dB
$\Delta G_V$	Channel gain unbalance				$\pm 1$	dB
$P_o$	Output power	THD = 10 %; $V_S = 14.4\text{ V}$	26	28		W
$P_{o\ max}$	Max.output power <sup>(1)</sup>	$V_S = 14.4\text{ V}$	41	45		W

**Table 4. Electrical characteristics (continued)**

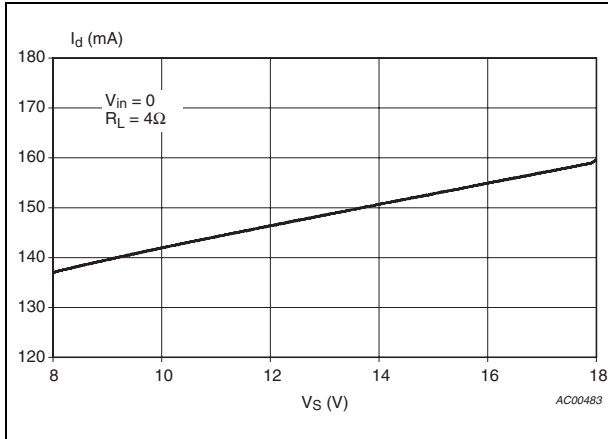
( $V_S = 14.4V$ ;  $f = 1KHz$ ;  $R_G = 600\Omega$ ;  $R_L = 4\Omega$ ;  $T_{amb} = 25^\circ C$ ; Refer to the test and application diagram (*Figure 14*), unless otherwise specified.)

Symbol	Parameter	Test condition	Min.	Typ.	Max.	Unit
THD	Distortion	$P_o = 4W$		0.04	0.10	%
$e_{No}$	Output noise	"A" Weighted		50	70	$\mu V$
		Bw = 20 Hz to 20 kHz		70	100	$\mu V$
SVR	Supply voltage rejection	$f = 100 \text{ Hz}; V_r = 1 V_{rms}$	50	75		dB
$f_{ch}$	High cut-off frequency	$P_o = 0.5 W$	100	200		KHz
$R_i$	Input Impedance		70	100	150	$K\Omega$
$C_T$	Cross talk	$f = 1 \text{ kHz}; P_o = 4 W$	60	75		dB
		$f = 10 \text{ kHz}; P_o = 4 W$		60		dB
$I_{SB}$	Standby current consumption	$V_{St-by} = 1.2 V$			50	$\mu A$
		$V_{St-by} = 0 V$			25	
$I_{pin4}$	Standby pin current	$V_{St-by} = 1.2 \text{ to } 2.6 V$			$\pm 1$	$\mu A$
$V_{SB out}$	Standby Out threshold voltage	(Amp: ON)	2.6			V
$V_{SB IN}$	Standby In threshold voltage	(Amp: OFF)			1.2	V
$A_M$	Mute attenuation	$P_{Oref} = 4 W$	80	90		dB
$V_{M out}$	Mute Out threshold voltage	(Amp: play)	2.6			V
$V_{M in}$	Mute In threshold voltage	(Amp: mute)			1.2	V
$V_{AM in}$	$V_S$ automute threshold	(Amp: mute); Att $\geq 80 \text{ dB}$ ; $P_{Oref} = 4 \Omega$ (Amp: Play); Att $< 0.1 \text{ dB}$ ; $P_o = 0.5 W$		7.6	6.5 8.5	V
$I_{pin22}$	Muting pin current	$V_{MUTE} = 1.2 V$ (Source current)	5	11	20	$\mu A$
		$V_{MUTE} = 2.6 V$	-5	-	-20	
<b>Clipping detector</b>						
$CD_{LK}$	Clip det high leakage current	CD Off			1	$\mu A$
$CD_{SAT}$	Clip det sat voltage	DC On; $I_{CD} = 1m A$		0.2	0.4	V
$CD_{THD}$	Clip det THD level	$P_o > 16 W$			2	%

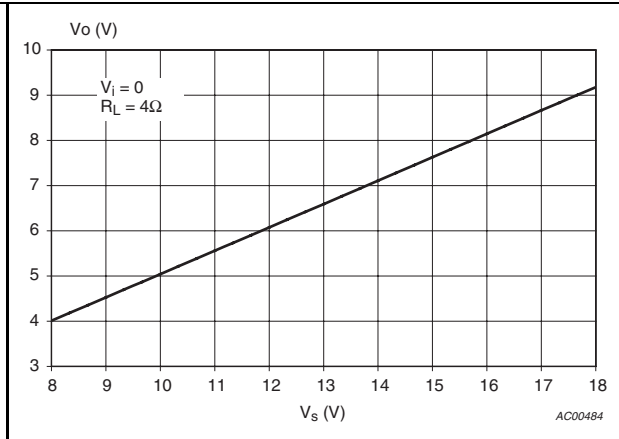
1. Saturated square wave output.

## 2.4 Electrical characteristic curves

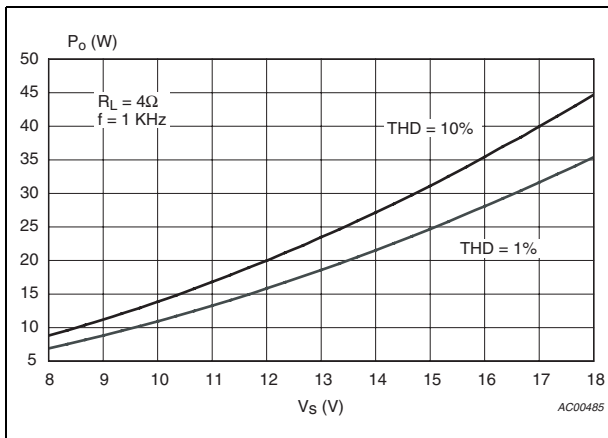
**Figure 3. Quiescent current vs. supply voltage**



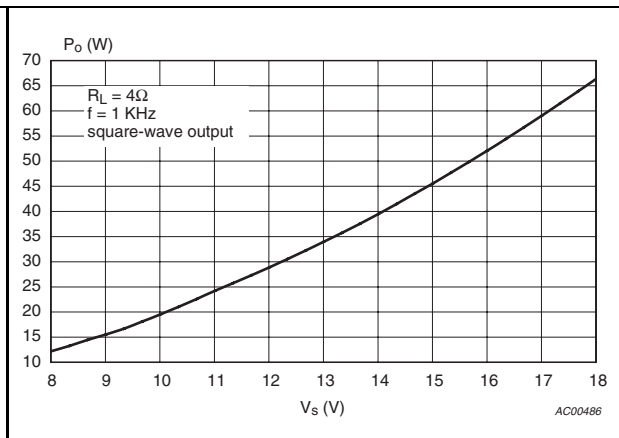
**Figure 4. Quiescent output voltage vs. supply voltage**



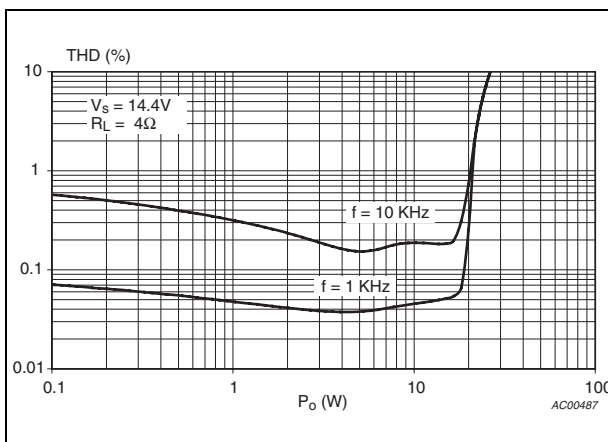
**Figure 5. Output power vs. supply voltage**



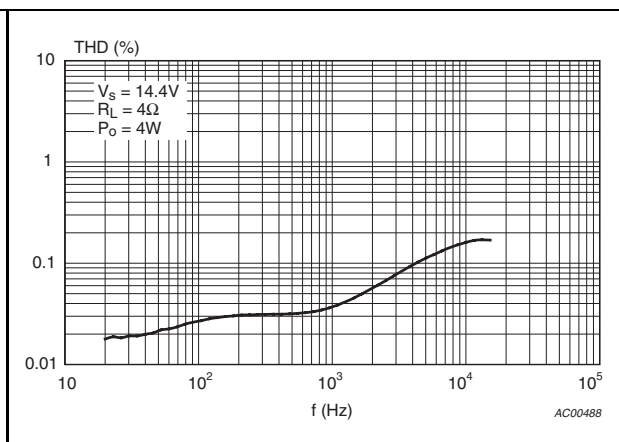
**Figure 6. Maximum output power vs. supply voltage**



**Figure 7. Distortion vs. output power**

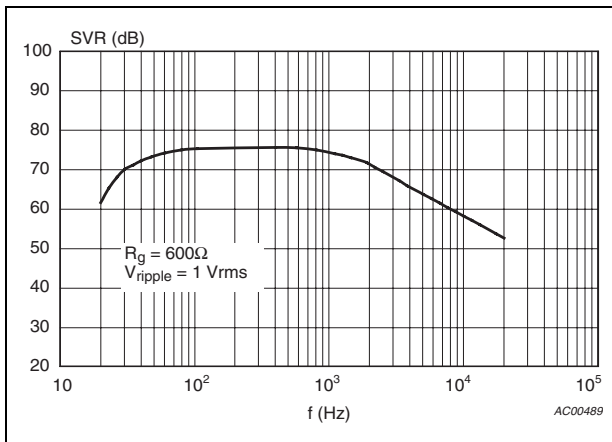


**Figure 8. Distortion vs. frequency**

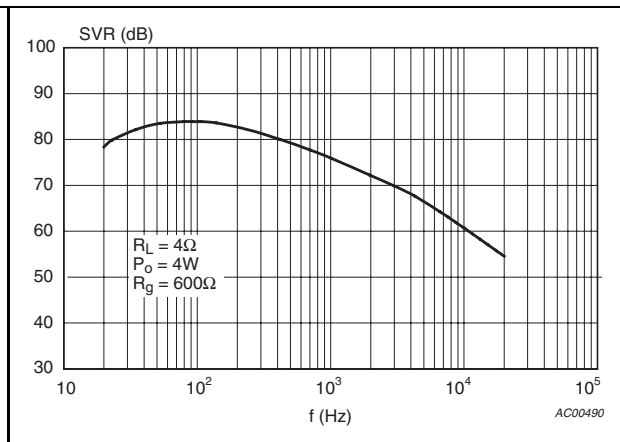




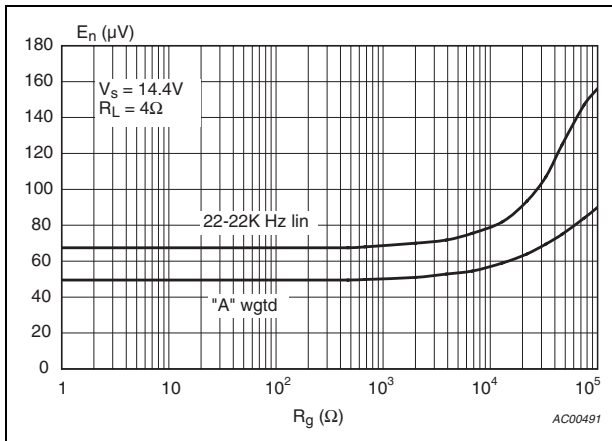
**Figure 9. Supply voltage rejection vs. frequency**



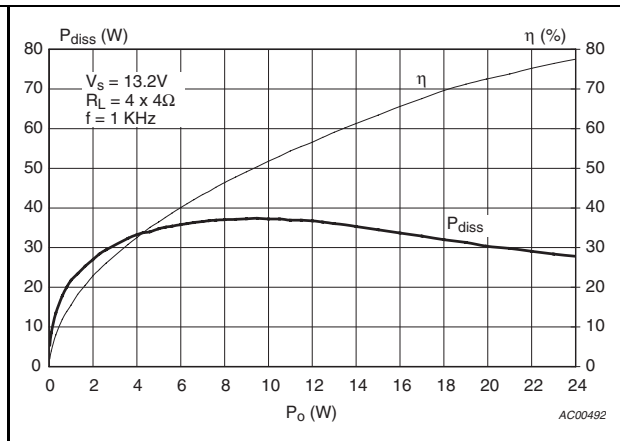
**Figure 10. Crosstalk vs. frequency**



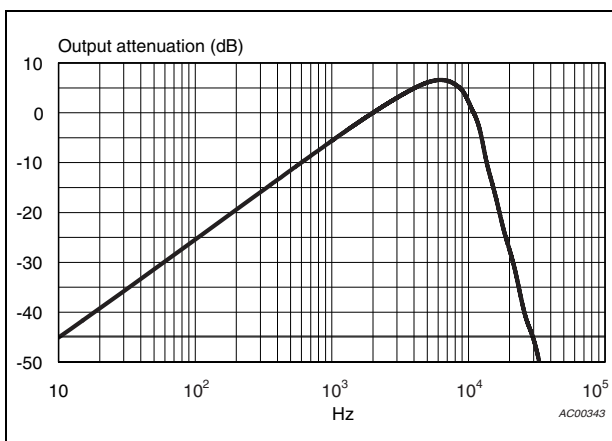
**Figure 11. Output noise vs. source resistance**



**Figure 12. Power dissipation & efficiency vs. output power**

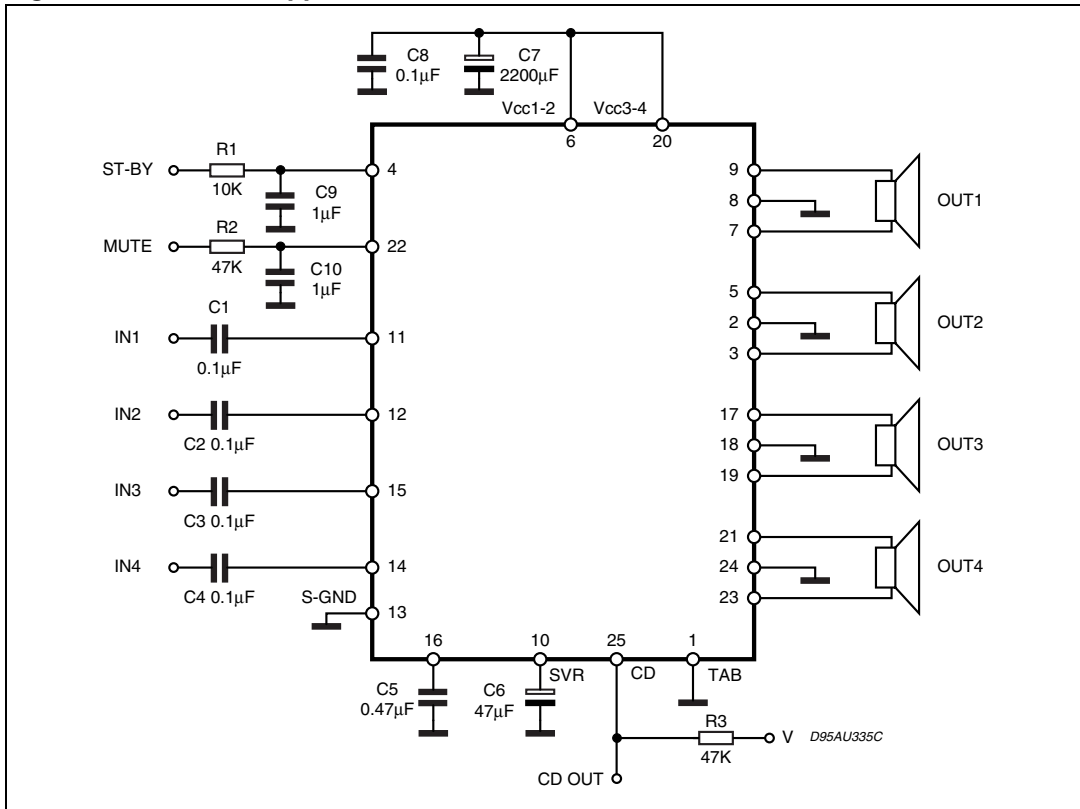


**Figure 13. ITU R-ARM frequency response, weighting filter for transient pop**



## 2.5 Test and application circuit

Figure 14. Test and application circuit



## 3 Application hints

Ref. to the circuit of [Figure 14](#).

### 3.1 SVR

Besides its contribution to the ripple rejection, the SVR capacitor governs the turn ON/OFF time sequence and, consequently, plays an essential role in the pop optimization during ON/OFF transients.

To conveniently serve both needs, **its minimum recommended value is 22 $\mu$ F**, 47 $\mu$ F can be used to optimize pop performances.

### 3.2 Input stage

The TDA7389's inputs are ground-compatible and can stand very high input signals ( $\pm 8$ Vpk) without any performances degradation.

If the standard value for the input capacitors (0.1 $\mu$ F) is adopted, the low frequency cut-off will amount to 16 Hz.

The input capacitors should be 1/4 of the capacitor connected to AC-GND pin for optimum pop performances.

### 3.3 Standby and muting

Standby and Muting facilities are both 3.3V CMOS-compatible. If unused, a straight connection to  $V_S$  of their respective pins would be admissible.

Conventional/low-power transistors can be employed to drive muting and stand-by pins in absence of true CMOS ports or microprocessors. R-C cells have always to be used in order to smooth down the transitions for preventing any audible transient noises.

Since a DC current of about 10 $\mu$ A normally flows out of pin 23, the maximum allowable muting-series resistance ( $R_2$ ) is 70 k $\Omega$ , which is sufficiently high to permit a muting capacitor reasonably small (about 1 $\mu$ F).

If  $R_2$  is higher than recommended, the involved risk will be that the voltage at pin 23 may rise to above the 1.2V threshold voltage and the device will consequently fail to turn OFF when the mute line is brought down.

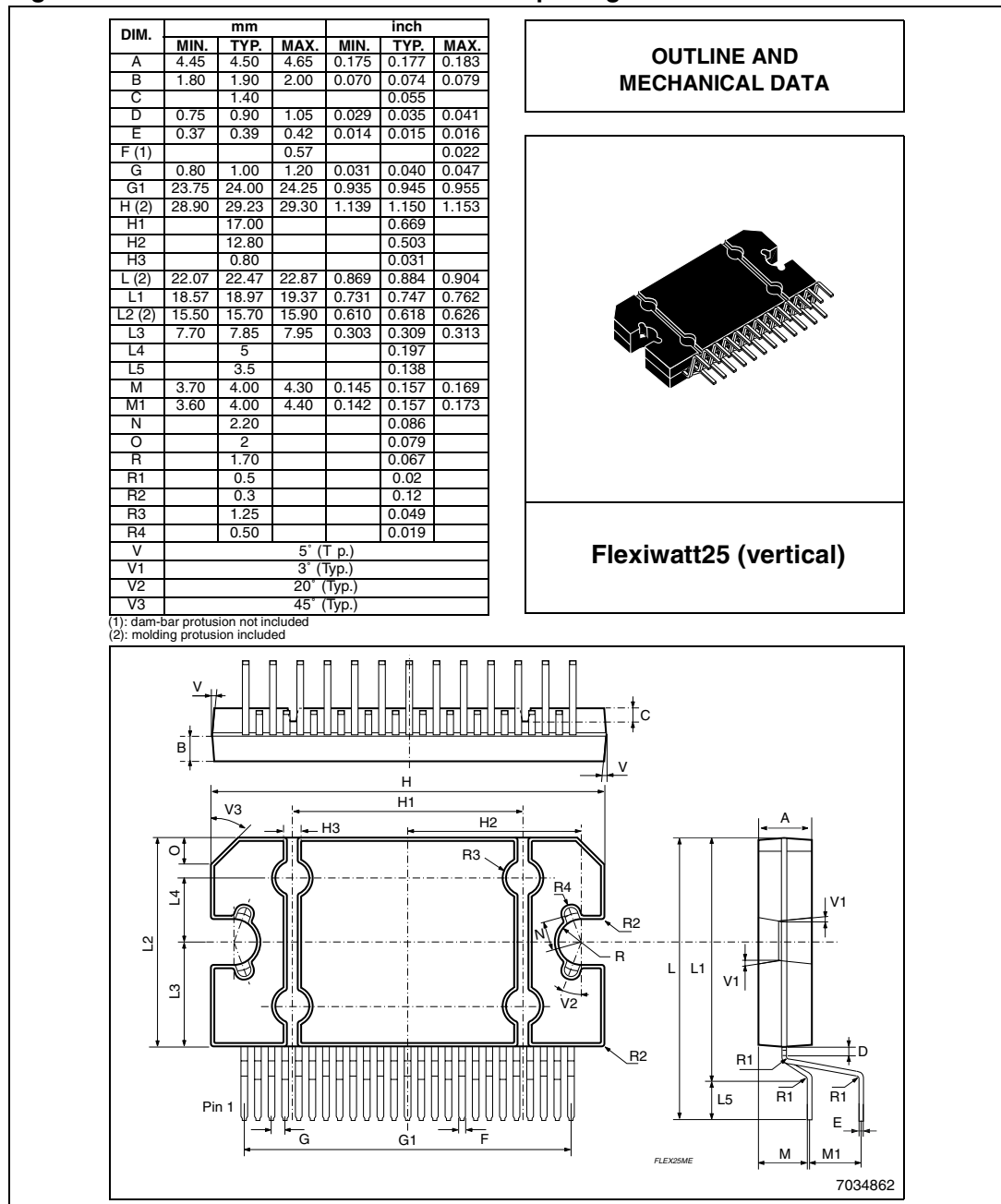
About the standby, the time constant to be assigned in order to obtain a virtually pop-free transition has to be slower than 2.5V/ms.

# 4 Package information

In order to meet environmental requirements, ST (also) offers these devices in ECOPACK® packages. ECOPACK® packages are lead-free. The category of second Level Interconnect is marked on the package and on the inner box label, in compliance with JEDEC Standard JESD97. The maximum ratings related to soldering conditions are also marked on the inner box label.

ECOPACK is an ST trademark. ECOPACK specifications are available at: [www.st.com](http://www.st.com).

**Figure 15. Flexiwatt25 mechanical data and package dimensions**



## 5 Revision history

**Table 5. Document revision history**

Date	Revision	Changes
09-Nov-2007	1	Initial release.
20-Oct-2008	2	Updated the <a href="#">Table 3: Thermal data on page 6</a> .

**Please Read Carefully:**

Information in this document is provided solely in connection with ST products. STMicroelectronics NV and its subsidiaries ("ST") reserve the right to make changes, corrections, modifications or improvements, to this document, and the products and services described herein at any time, without notice.

All ST products are sold pursuant to ST's terms and conditions of sale.

Purchasers are solely responsible for the choice, selection and use of the ST products and services described herein, and ST assumes no liability whatsoever relating to the choice, selection or use of the ST products and services described herein.

No license, express or implied, by estoppel or otherwise, to any intellectual property rights is granted under this document. If any part of this document refers to any third party products or services it shall not be deemed a license grant by ST for the use of such third party products or services, or any intellectual property contained therein or considered as a warranty covering the use in any manner whatsoever of such third party products or services or any intellectual property contained therein.

**UNLESS OTHERWISE SET FORTH IN ST'S TERMS AND CONDITIONS OF SALE ST DISCLAIMS ANY EXPRESS OR IMPLIED WARRANTY WITH RESPECT TO THE USE AND/OR SALE OF ST PRODUCTS INCLUDING WITHOUT LIMITATION IMPLIED WARRANTIES OF MERCHANTABILITY, FITNESS FOR A PARTICULAR PURPOSE (AND THEIR EQUIVALENTS UNDER THE LAWS OF ANY JURISDICTION), OR INFRINGEMENT OF ANY PATENT, COPYRIGHT OR OTHER INTELLECTUAL PROPERTY RIGHT.**

**UNLESS EXPRESSLY APPROVED IN WRITING BY AN AUTHORIZED ST REPRESENTATIVE, ST PRODUCTS ARE NOT RECOMMENDED, AUTHORIZED OR WARRANTED FOR USE IN MILITARY, AIR CRAFT, SPACE, LIFE SAVING, OR LIFE SUSTAINING APPLICATIONS, NOR IN PRODUCTS OR SYSTEMS WHERE FAILURE OR MALFUNCTION MAY RESULT IN PERSONAL INJURY, DEATH, OR SEVERE PROPERTY OR ENVIRONMENTAL DAMAGE. ST PRODUCTS WHICH ARE NOT SPECIFIED AS "AUTOMOTIVE GRADE" MAY ONLY BE USED IN AUTOMOTIVE APPLICATIONS AT USER'S OWN RISK.**

Resale of ST products with provisions different from the statements and/or technical features set forth in this document shall immediately void any warranty granted by ST for the ST product or service described herein and shall not create or extend in any manner whatsoever, any liability of ST.

ST and the ST logo are trademarks or registered trademarks of ST in various countries.

Information in this document supersedes and replaces all information previously supplied.

The ST logo is a registered trademark of STMicroelectronics. All other names are the property of their respective owners.

© 2008 STMicroelectronics - All rights reserved

STMicroelectronics group of companies

Australia - Belgium - Brazil - Canada - China - Czech Republic - Finland - France - Germany - Hong Kong - India - Israel - Italy - Japan - Malaysia - Malta - Morocco - Singapore - Spain - Sweden - Switzerland - United Kingdom - United States of America

[www.st.com](http://www.st.com)