

## Quad channel high side driver

### Features

Type	$R_{DS(on)}$	$I_{OUT}$	$V_{CC}$
VNQ830PEP-E	160 m $\Omega$ <sup>(1)</sup>	5 A <sup>(1)</sup>	36 V

1. Per each channel.

- CMOS compatible inputs
- Open Drain status outputs
- On-state open load detection
- Off-state open load detection
- Shorted load protection
- Undervoltage and overvoltage shutdown
- Loss of ground protection
- Very low standby current
- Reverse battery protection<sup>(a)</sup>
- In compliance with the 2002/95/EC european directive



### Description

The VND810PEP-E is a monolithic device made using STMicroelectronics VIPower M0-3 Technology. The VNQ810PEP-E is intended for driving any type of multiple load with one side connected to ground.

The Active  $V_{CC}$  pin voltage clamp protects the device against low energy spikes (see ISO7637 transient compatibility table).

Active current limitation combined with thermal shutdown and automatic restart protects the device against overload. The device detects the open load condition in both the on and off-state.

In the off-state the device detects if the output is shorted to  $V_{CC}$ . The device automatically turns off in the case where the ground pin becomes disconnected.

a. See [Application schematic on page 17](#)

**Table 1. Device summary**

Package	Order codes	
	Tube	Tape and reel
PowerSSO-24	VNQ810PEP-E	VNQ810PEPTR-E

# Contents

<b>1</b>	<b>Block diagram and pin description</b>	<b>5</b>
<b>2</b>	<b>Electrical specifications</b>	<b>6</b>
2.1	Absolute maximum ratings	6
2.2	Thermal data	7
2.3	Electrical characteristics	7
2.4	Electrical characteristics curves	14
<b>3</b>	<b>Application information</b>	<b>17</b>
3.1	GND protection network against reverse battery	17
3.1.1	Solution 1: a resistor in the ground line (RGND only)	17
3.1.2	Solution 2: a diode (D <sub>GND</sub> ) in the ground line	18
3.2	Load dump protection	18
3.3	MCU I/O protection	18
3.4	Open load detection in off-state	19
3.5	Maximum demagnetization energy (V <sub>CC</sub> = 13.5V)	20
<b>4</b>	<b>Package and PC board thermal data</b>	<b>21</b>
4.1	PowerSSO-24 thermal data	21
<b>5</b>	<b>Package and packing information</b>	<b>24</b>
5.1	ECOPACK® packages	24
5.2	PowerSSO-24 mechanical data	24
5.3	Packing information	26
<b>6</b>	<b>Revision history</b>	<b>27</b>

## List of tables

Table 1.	Device summary . . . . .	1
Table 2.	Suggested connections for unused and not connected pins . . . . .	5
Table 3.	Absolute maximum ratings . . . . .	6
Table 4.	Thermal data (per island) . . . . .	7
Table 5.	Power output. . . . .	8
Table 6.	Protections and diagnostics . . . . .	8
Table 7.	V <sub>CC</sub> - output diode . . . . .	9
Table 8.	Switching (V <sub>CC</sub> = 13V; T <sub>j</sub> = 25°C) . . . . .	9
Table 9.	Logic inputs. . . . .	9
Table 10.	Status pin . . . . .	9
Table 11.	Openload detection. . . . .	9
Table 12.	Truth table. . . . .	11
Table 13.	Electrical transient requirements (part 1/3). . . . .	11
Table 14.	Electrical transient requirements (part 2/3). . . . .	11
Table 15.	Electrical transient requirements (part 3/3). . . . .	12
Table 16.	Thermal parameters . . . . .	23
Table 17.	PowerSSO-24 mechanical data . . . . .	25
Table 18.	Document revision history . . . . .	27

## List of figures

Figure 1.	Block diagram . . . . .	5
Figure 2.	Configuration diagram (top view) . . . . .	5
Figure 3.	Current and voltage conventions . . . . .	7
Figure 4.	Status timings . . . . .	10
Figure 5.	Switching characteristics . . . . .	10
Figure 6.	Waveforms . . . . .	13
Figure 7.	Off-state output current . . . . .	14
Figure 8.	High level input current . . . . .	14
Figure 9.	Input clamp voltage . . . . .	14
Figure 10.	Turn-on voltage slope . . . . .	14
Figure 11.	Overshoot shutdown . . . . .	14
Figure 12.	Turn-off voltage slope . . . . .	14
Figure 13.	ILIM vs Tcase . . . . .	15
Figure 14.	On-state resistance vs VCC . . . . .	15
Figure 15.	Input high level . . . . .	15
Figure 16.	Input hysteresis voltage . . . . .	15
Figure 17.	On-state resistance vs Tcase . . . . .	15
Figure 18.	Input low level . . . . .	15
Figure 19.	Status leakage current . . . . .	16
Figure 20.	Status low output voltage . . . . .	16
Figure 21.	Status clamp voltage . . . . .	16
Figure 22.	Openload on-state detection threshold . . . . .	16
Figure 23.	Openload off-state voltage detection threshold . . . . .	16
Figure 24.	Application schematic . . . . .	17
Figure 25.	Openload detection in Off-state . . . . .	19
Figure 26.	Maximum turn-off current versus load inductance . . . . .	20
Figure 27.	PowerSSO-24 PC board . . . . .	21
Figure 28.	Rthj-amb vs. PCB copper area in open box free air condition (one channel ON) . . . . .	21
Figure 29.	PowerSSO-24 thermal impedance junction ambient single pulse (one channel ON) . . . . .	22
Figure 30.	Thermal fitting model of a double channel HSD in PowerSSO-24 . . . . .	22
Figure 31.	PowerSSO-24 package dimensions . . . . .	24
Figure 32.	PowerSSO-24 tube shipment (no suffix) . . . . .	26
Figure 33.	PowerSSO-24 tape and reel shipment (suffix "TR") . . . . .	26

# 1 Block diagram and pin description

Figure 1. Block diagram

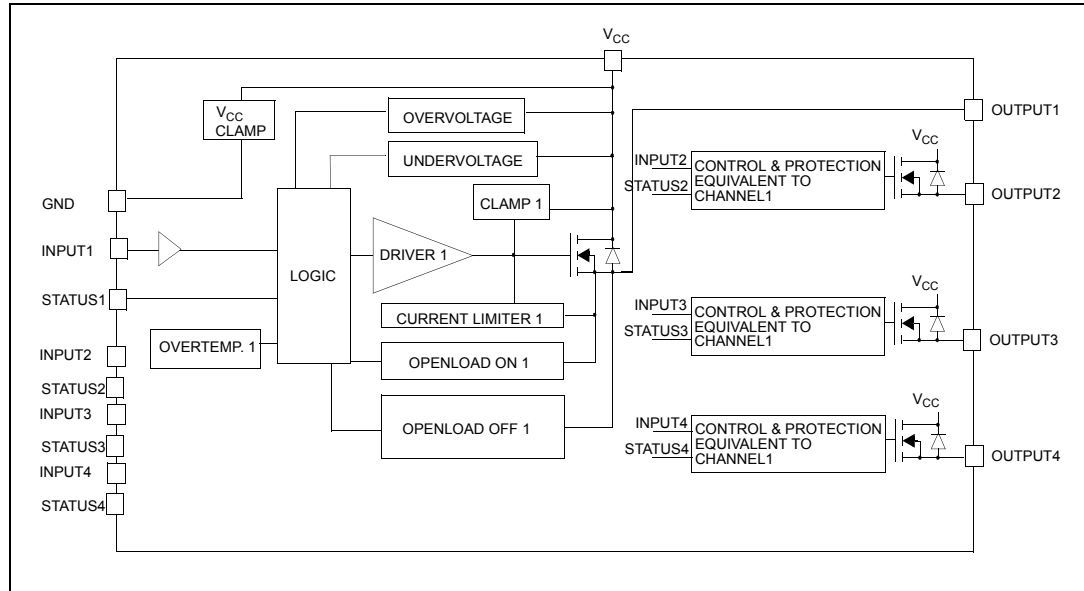


Figure 2. Configuration diagram (top view)

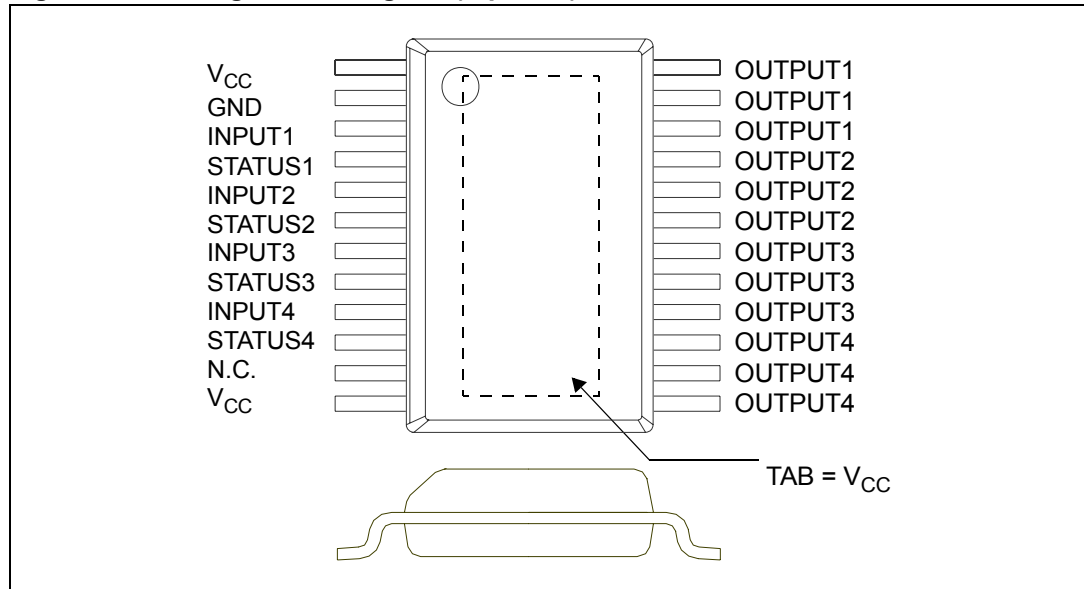


Table 2. Suggested connections for unused and not connected pins

Connection / pin	Status	N.C.	Output	Input
Floating	X	X	X	X
To ground		X		Through 10KΩ resistor

## 2 Electrical specifications

### 2.1 Absolute maximum ratings

Stressing the device above the rating listed in the “Absolute maximum ratings” table may cause permanent damage to the device. These are stress ratings only and operation of the device at these or any other conditions above those indicated in the Operating sections of this specification is not implied. Exposure to Absolute Maximum Rating conditions for extended periods may affect device reliability. Refer also to the STMicroelectronics SURE Program and other relevant quality document.

**Table 3. Absolute maximum ratings**

Symbol	Parameter	Value	Unit
$V_{CC}$	DC supply voltage	41	V
$-V_{CC}$	Reverse DC supply voltage	- 0.3	V
$-I_{GND}$	DC reverse ground pin current	- 200	mA
$I_{OUT}$	DC output current	Internally limited	A
$-I_{OUT}$	Reverse DC output current	- 6	A
$I_{IN}$	DC input current	+/- 10	mA
$I_{STAT}$	DC Status current	+/- 10	mA
$V_{ESD}$	Electrostatic discharge (human body model: $R=1.5K\Omega$ ; $C = 100pF$ )		
	– Input	4000	V
	– Status	4000	V
	– Output	5000	V
	– $V_{CC}$	5000	V
$E_{MAX}$	Maximum switching energy ( $L = 0.6mH$ ; $R_L = 0$ ; $V_{bat} = 13.5V$ ; $T_{jstart} = 150^\circ C$ ; $I_L = 7.5A$ )	22	mJ
$P_{tot}$	Power dissipation (per island) at $T_{lead} = 25^\circ C$	66	W
$T_j$	Junction operating temperature	Internally limited	$^\circ C$
$T_c$	Case operating temperature	- 40 to 150	$^\circ C$
$T_{stg}$	Storage temperature	- 55 to 150	$^\circ C$

## 2.2 Thermal data

**Table 4. Thermal data (per island)**

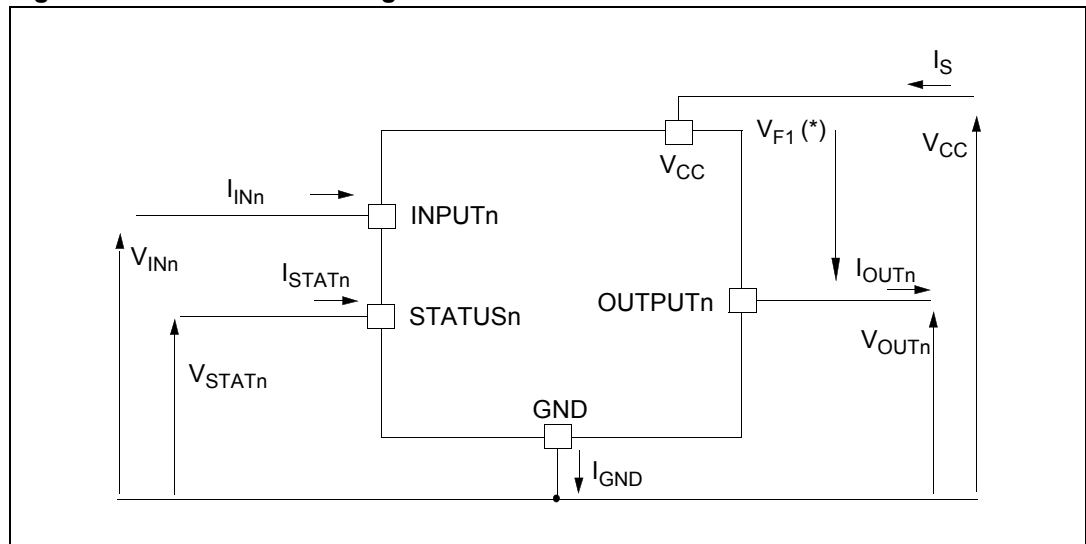
Symbol	Parameter	Value		Unit
$R_{thj-case}$	Thermal resistance junction-case	1.9		°C/W
$R_{thj-amb}$	Thermal resistance junction-ambient (one chip ON)	56 <sup>(1)</sup>	42 <sup>(2)</sup>	°C/W

1. When mounted on a standard single-sided FR-4 board with 0.5cm<sup>2</sup> of Cu (at least 35 μm thick). Horizontal mounting and no artificial air flow.
2. When mounted on a standard single-sided FR-4 board with 8cm<sup>2</sup> of Cu (at least 35 μm thick). Horizontal mounting and no artificial air flow.

## 2.3 Electrical characteristics

Values specified in this section are for 8V < V<sub>CC</sub> < 36V; -40°C < T<sub>j</sub> < 150°C, unless otherwise stated.

**Figure 3. Current and voltage conventions**



Note:  $V_{Fn} = V_{CCn} - V_{OUTn}$  during reverse battery condition.

**Table 5. Power output**

Symbol	Parameter	Test conditions	Min.	Typ.	Max.	Unit
$V_{CC}$	Operating supply voltage		5.5	13	36	V
$V_{USD}$	Undervoltage shutdown		3	4	5.5	V
$V_{OV}$	Overvoltage shutdown		36			V
$R_{ON}$	On-state resistance	$I_{OUT} = 1A; T_j = 25^\circ C$ $I_{OUT} = 1A; V_{CC} > 8V$			160 120	m $\Omega$ m $\Omega$
$I_S$	Supply current	Off-state; $V_{CC} = 13V$ ; $V_{IN} = V_{OUT} = 0V$		20	60	$\mu A$
		Off-state; $V_{CC} = 13V$ ; $V_{IN} = V_{OUT} = 0V$ ; $T_j = 25^\circ C$		20	40	$\mu A$
		On-state; $V_{CC} = 13V$ ; $V_{IN} = 5V$ ; $I_{OUT} = 0A$		8.5	13.5	mA
$I_{L(off1)}$	Off-state output current	$V_{IN} = V_{OUT} = 0V$	0		50	$\mu A$
$I_{L(off2)}$	Off-state output current	$V_{IN} = 0V; V_{OUT} = 3.5V$	-75		0	$\mu A$
$I_{L(off3)}$	Off-state output current	$V_{IN} = V_{OUT} = 0V; V_{CC} = 13V$ ; $T_j = 125^\circ C$			5	$\mu A$
$I_{L(off4)}$	Off-state output current	$V_{IN} = V_{OUT} = 0V; V_{CC} = 13V$ ; $T_j = 25^\circ C$			3	$\mu A$

**Table 6. Protections and diagnostics**

Symbol	Parameter	Test conditions	Min.	Typ.	Max.	Unit
$T_{TSD}$	Shutdown temperature		150	175	200	$^\circ C$
$T_R$	Reset temperature		135			$^\circ C$
$T_{hyst}$	Thermal hysteresis		7	15		$^\circ C$
$t_{SDL}$	Status delay in overload conditions	$T_j > T_{TSD}$			20	$\mu s$
$I_{lim}$	Current limitation	$V_{CC} = 13V$	5	7.5	10	A
		$5.5V < V_{CC} < 36V$			10	A
$V_{demag}$	Turn-off output clamp voltage	$I_{OUT} = 1A; L = 6mH$	$V_{CC} - 41$	$V_{CC} - 48$	$V_{CC} - 55$	V

**Note:** To ensure long term reliability under heavy overload or short circuit conditions, protection and related diagnostic signals must be used together with a proper software strategy. If the device is subjected to abnormal conditions, this software must limit the duration and number of activation cycles.



**Table 7.  $V_{CC}$  - output diode**

Symbol	Parameter	Test conditions	Min.	Typ.	Max.	Unit
$V_F$	Forward on voltage	$-I_{OUT} = 0.5A$ ; $T_j = 150^\circ C$	-	-	0.6	V

**Table 8. Switching ( $V_{CC} = 13V$ ;  $T_j = 25^\circ C$ )**

Symbol	Parameter	Test conditions	Min.	Typ.	Max.	Unit
$t_{d(on)}$	Turn-on delay time	$R_L = 13\Omega$ from $V_{IN}$ rising edge to $V_{OUT} = 1.3V$ (see <a href="#">Figure 5</a> )	-	30	-	$\mu s$
$t_{d(off)}$	Turn-off delay time	$R_L = 13\Omega$ from $V_{IN}$ falling edge to $V_{OUT} = 11.7V$ (see <a href="#">Figure 5</a> )	-	30	-	$\mu s$
$dV_{OUT}/dt_{(on)}$	Turn-on voltage slope	$R_L = 13\Omega$ from $V_{OUT} = 1.3V$ to $V_{OUT} = 10.4V$ (see <a href="#">Figure 5</a> )	-	See <a href="#">Figure 10</a>	-	$V/\mu s$
$dV_{OUT}/dt_{(off)}$	Turn-off voltage slope	$R_L = 13\Omega$ from $V_{OUT} = 11.7V$ to $V_{OUT} = 1.3V$ (see <a href="#">Figure 5</a> )	-	See <a href="#">Figure 12</a>	-	$V/\mu s$

**Table 9. Logic inputs**

Symbol	Parameter	Test conditions	Min.	Typ.	Max.	Unit
$V_{IL}$	Input low level				1.25	V
$I_{IL}$	Low level input current	$V_{IN} = 1.25V$	1			$\mu A$
$V_{IH}$	Input high level		3.25			V
$I_{IH}$	High level input current	$V_{IN} = 3.25V$			10	$\mu A$
$V_{I(hyst)}$	Input hysteresis voltage		0.5			V
$V_{ICL}$	Input clamp voltage	$I_{IN} = 1mA$ $I_{IN} = -1mA$	6	6.8 - 0.7	8	V V

**Table 10. Status pin**

Symbol	Parameter	Test conditions	Min.	Typ.	Max.	Unit
$V_{STAT}$	Status low output voltage	$I_{STAT} = 1.6mA$			0.5	V
$I_{LSTAT}$	Status leakage current	Normal operation; $V_{STAT} = 5V$			10	$\mu A$
$C_{STAT}$	Status pin input capacitance	Normal operation; $V_{STAT} = 5V$			100	pF
$V_{SCL}$	Status clamp voltage	$I_{STAT} = 1mA$ $I_{STAT} = -1mA$	6	6.8 - 0.7	8	V V

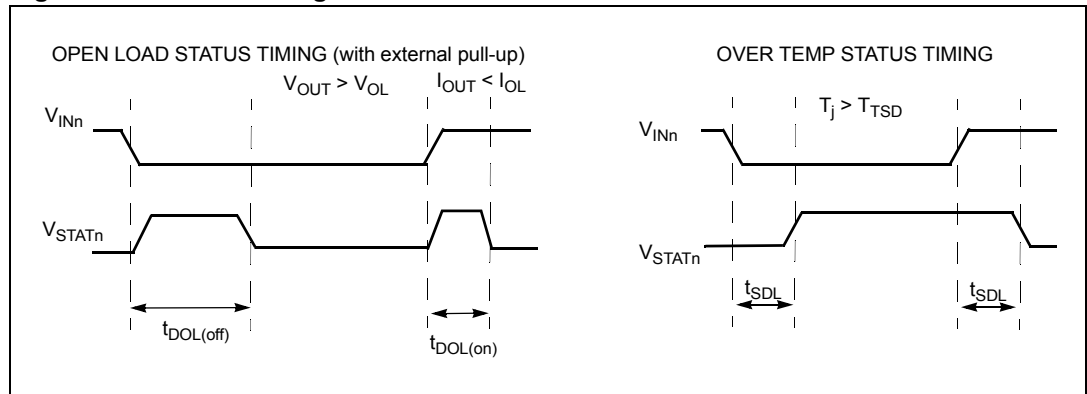
**Table 11. Openload detection**

Symbol	Parameter	Test conditions	Min.	Typ.	Max.	Unit
$I_{OL}$	Openload On-state detection threshold	$V_{IN} = 5V$	20	40	80	mA
$t_{DOL(on)}$	Openload On-state detection delay	$I_{OUT} = 0A$			200	$\mu s$

**Table 11. Openload detection (continued)**

Symbol	Parameter	Test conditions	Min.	Typ.	Max.	Unit
$V_{OL}$	Openload Off-state voltage detection threshold	$V_{IN} = 0V$	1.5	2.5	3.5	V
$t_{DOL(off)}$	Openload detection delay at turn-off				1000	$\mu s$

**Figure 4. Status timings**



**Figure 5. Switching characteristics**

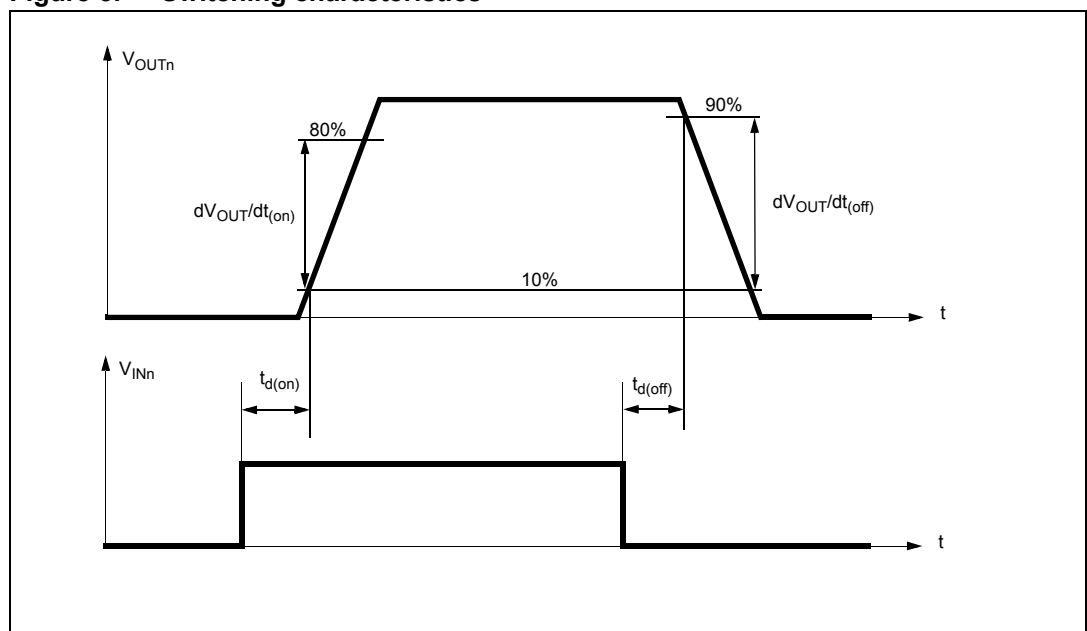


Table 12. Truth table

Conditions	Input	Output	Status
Normal operation	L	L	H
	H	H	H
Current limitation	L	L	H
	H	X	( $T_j < T_{TSD}$ ) H ( $T_j > T_{TSD}$ ) L
Overtemperature	L	L	H
	H	L	L
Undervoltage	L	L	X
	H	L	X
Overvoltage	L	L	H
	H	L	H
Output voltage $> V_{OL}$	L	H	L
	H	H	H
Output current $< I_{OL}$	L	L	H
	H	H	L

Table 13. Electrical transient requirements (part 1/3)

ISO T/R 7637/1 Test pulse	Test level				Delays and impedance
	I	II	III	IV	
1	- 25V	- 50V	- 75V	- 100V	2ms, 10 $\Omega$
2	+ 25V	+ 50V	+ 75V	+ 100V	0.2ms, 10 $\Omega$
3a	- 25V	- 50V	- 100V	- 150V	0.1 $\mu$ s, 50 $\Omega$
3b	+ 25V	+ 50V	+ 75V	+ 100V	0.1 $\mu$ s, 50 $\Omega$
4	- 4V	- 5V	- 6V	- 7V	100ms, 0.01 $\Omega$
5	+ 26.5V	+ 46.5V	+ 66.5V	+ 86.5V	400ms, 2 $\Omega$

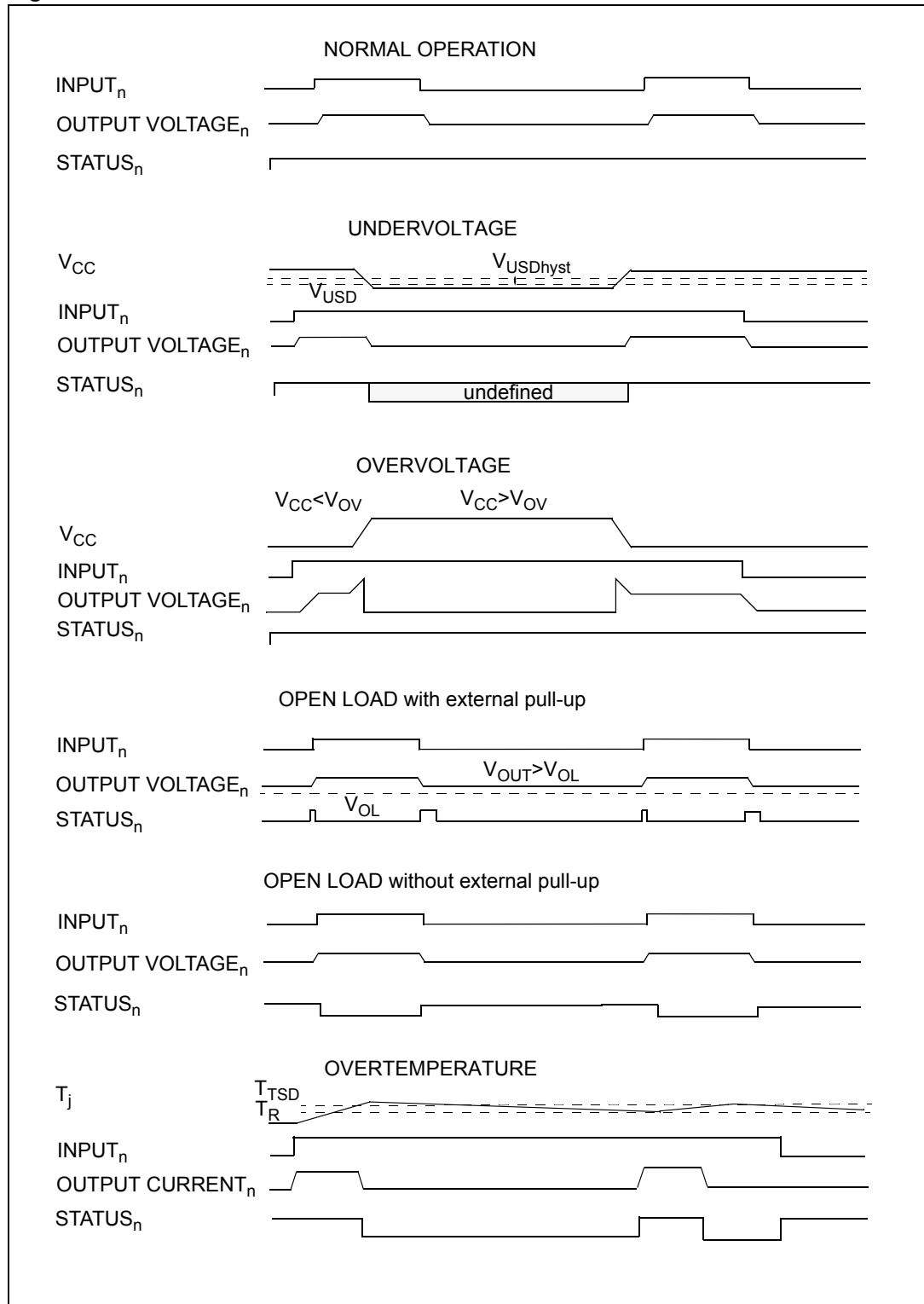
Table 14. Electrical transient requirements (part 2/3)

ISO T/R 7637/1 Test pulse	Test level			
	I	II	III	IV
1	C	C	C	C
2	C	C	C	C
3a	C	C	C	C
3b	C	C	C	C
4	C	C	C	C
5	C	E	E	E

**Table 15. Electrical transient requirements (part 3/3)**

Class	Contents
C	All functions of the device are performed as designed after exposure to disturbance.
E	One or more functions of the device is not performed as designed after exposure and cannot be returned to proper operation without replacing the device.

Figure 6. Waveforms



## 2.4 Electrical characteristics curves

Figure 7. Off-state output current

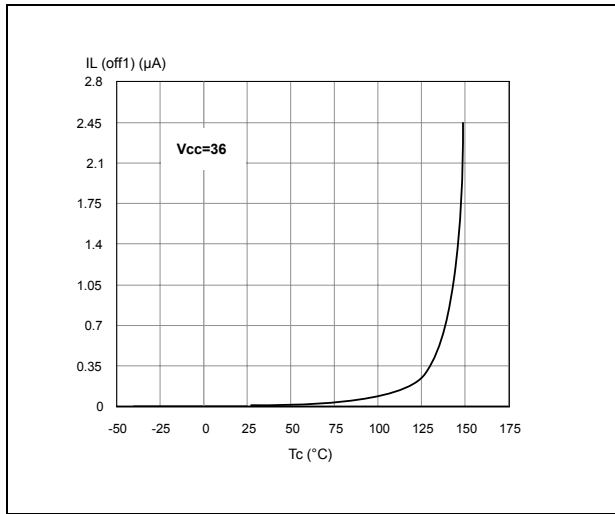


Figure 8. High level input current

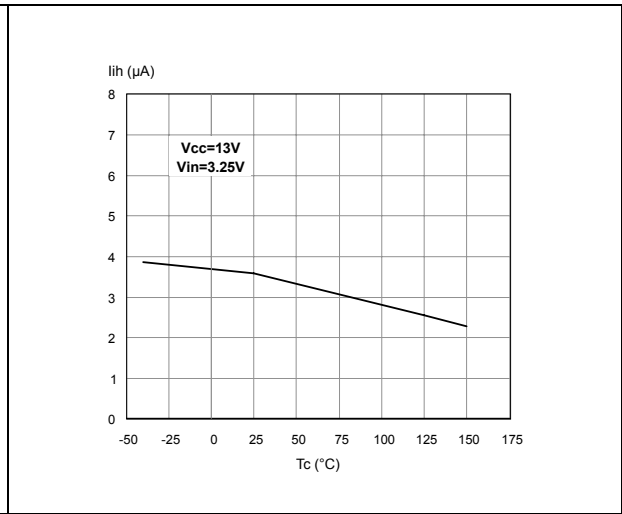


Figure 9. Input clamp voltage

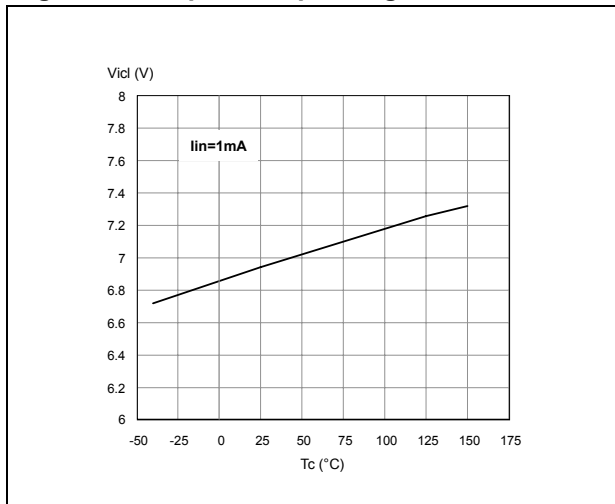


Figure 10. Turn-on voltage slope

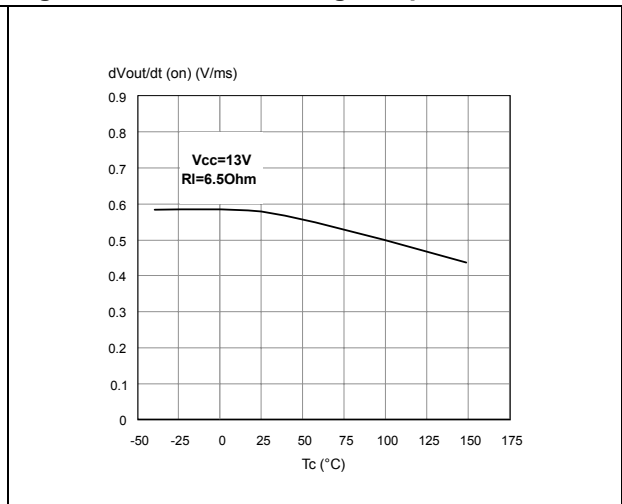


Figure 11. Overvoltage shutdown

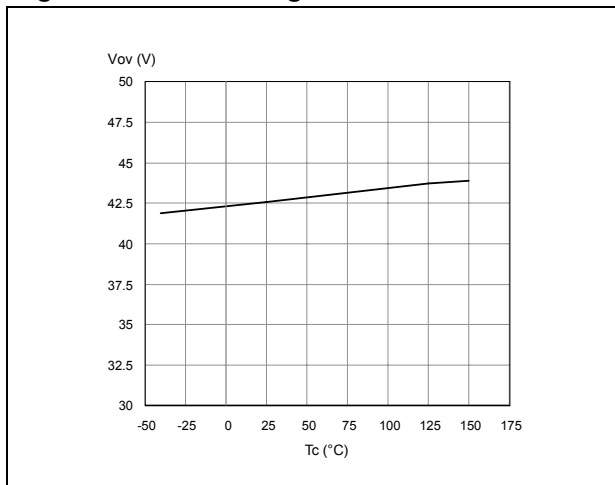


Figure 12. Turn-off voltage slope

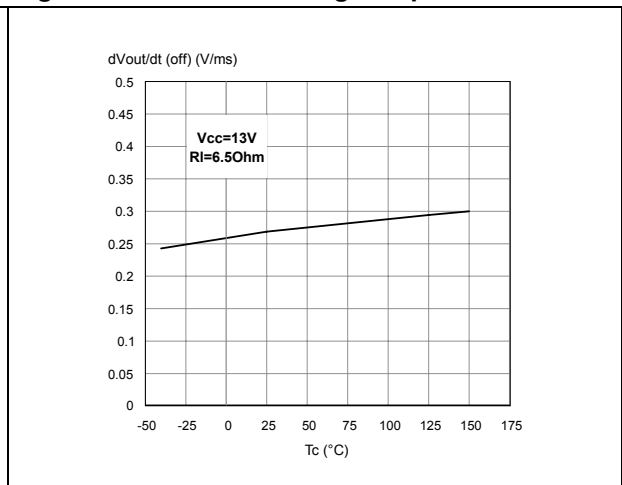


Figure 13.  $I_{LIM}$  vs  $T_{case}$

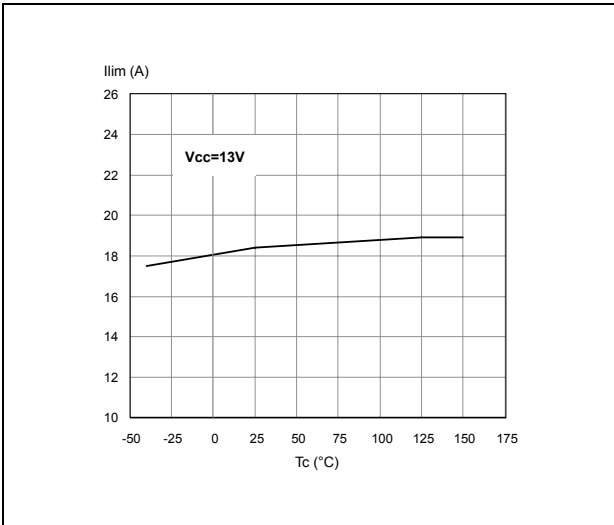


Figure 14. On-state resistance vs  $V_{CC}$

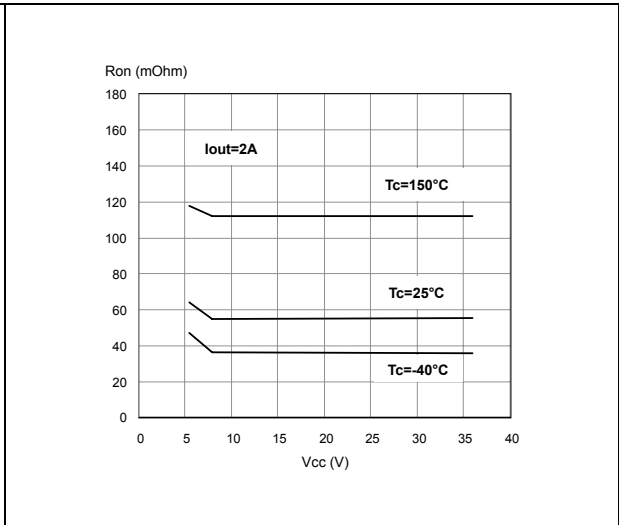


Figure 15. Input high level

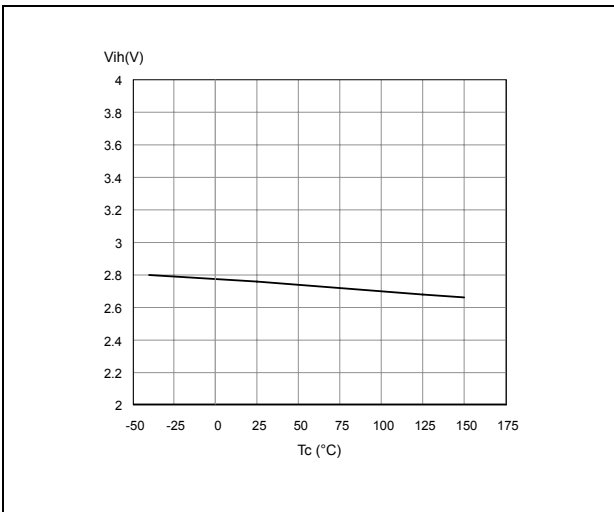


Figure 16. Input hysteresis voltage

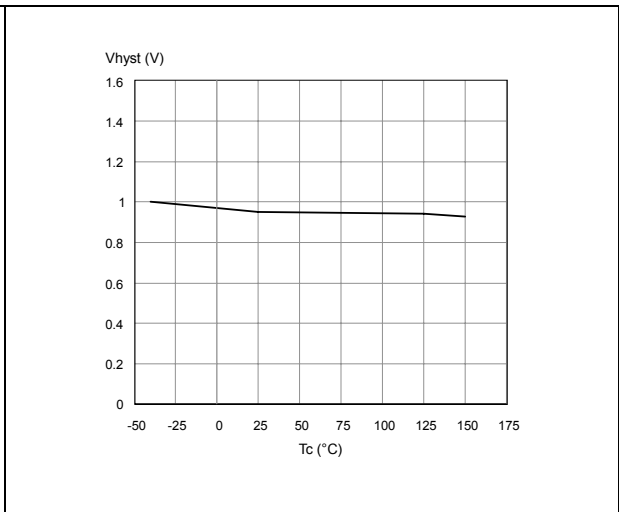


Figure 17. On-state resistance vs  $T_{case}$

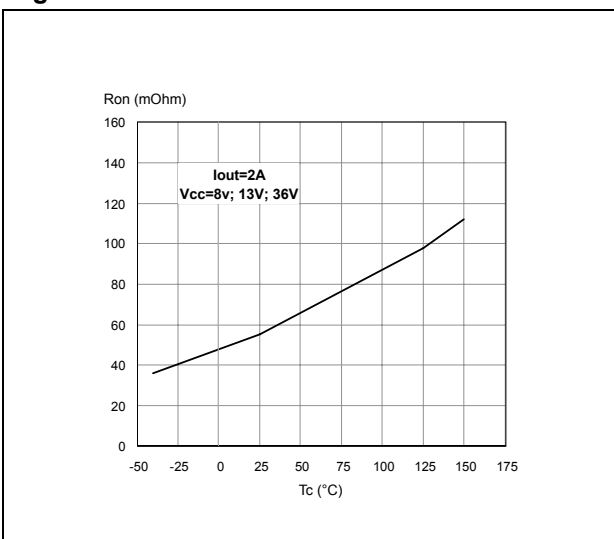


Figure 18. Input low level

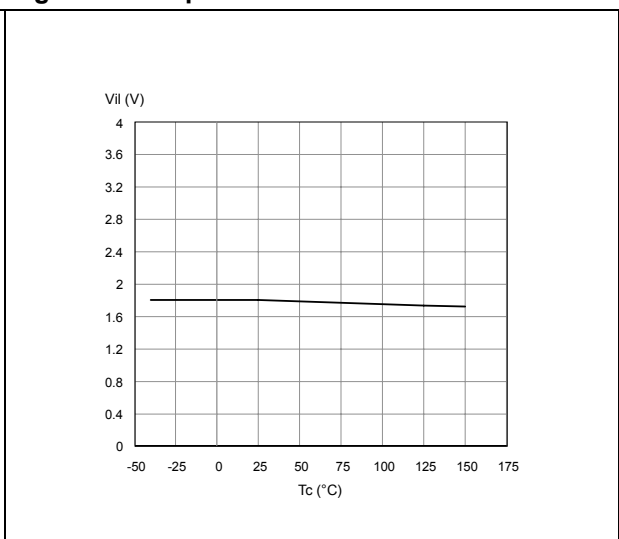


Figure 19. Status leakage current

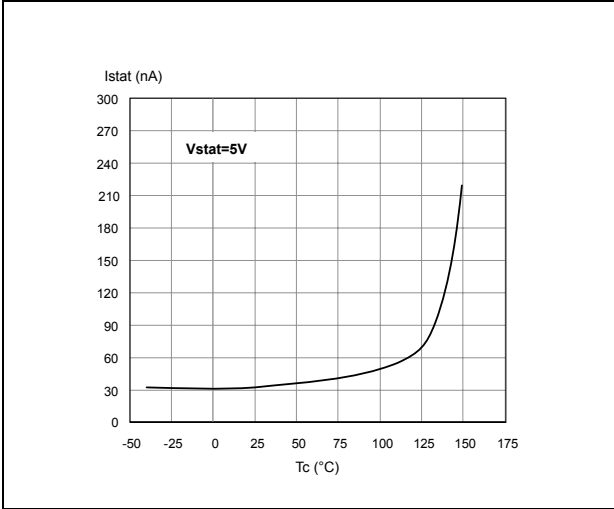


Figure 20. Status low output voltage

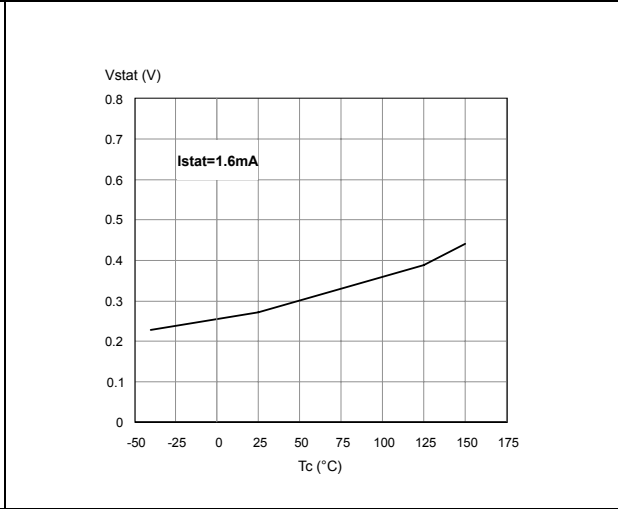


Figure 21. Status clamp voltage

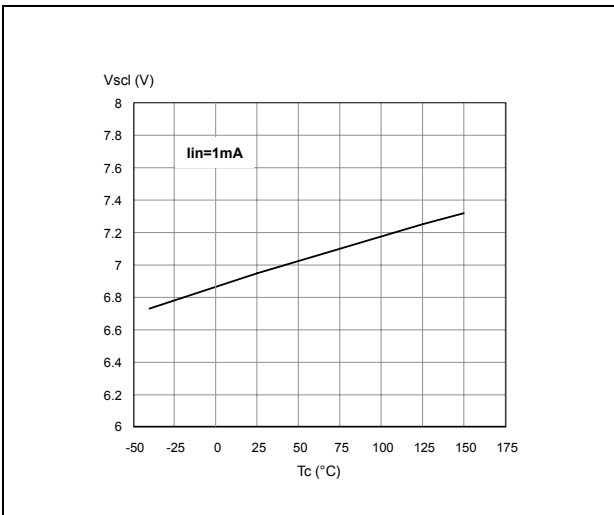


Figure 22. Openload on-state detection threshold

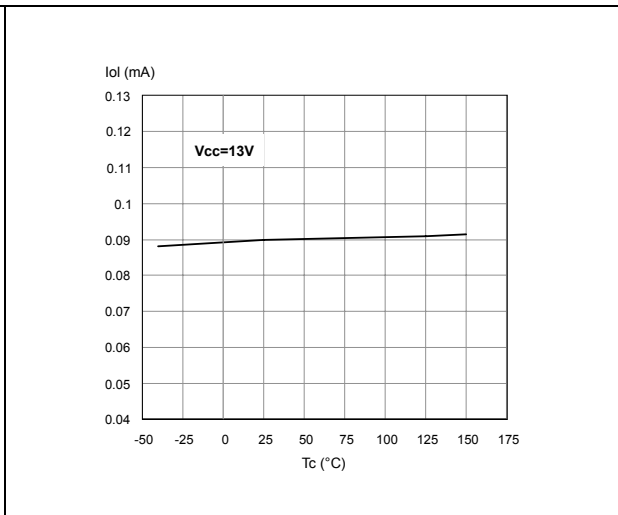
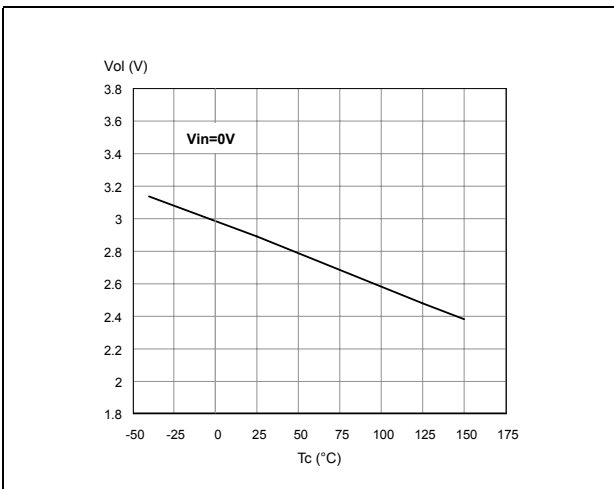


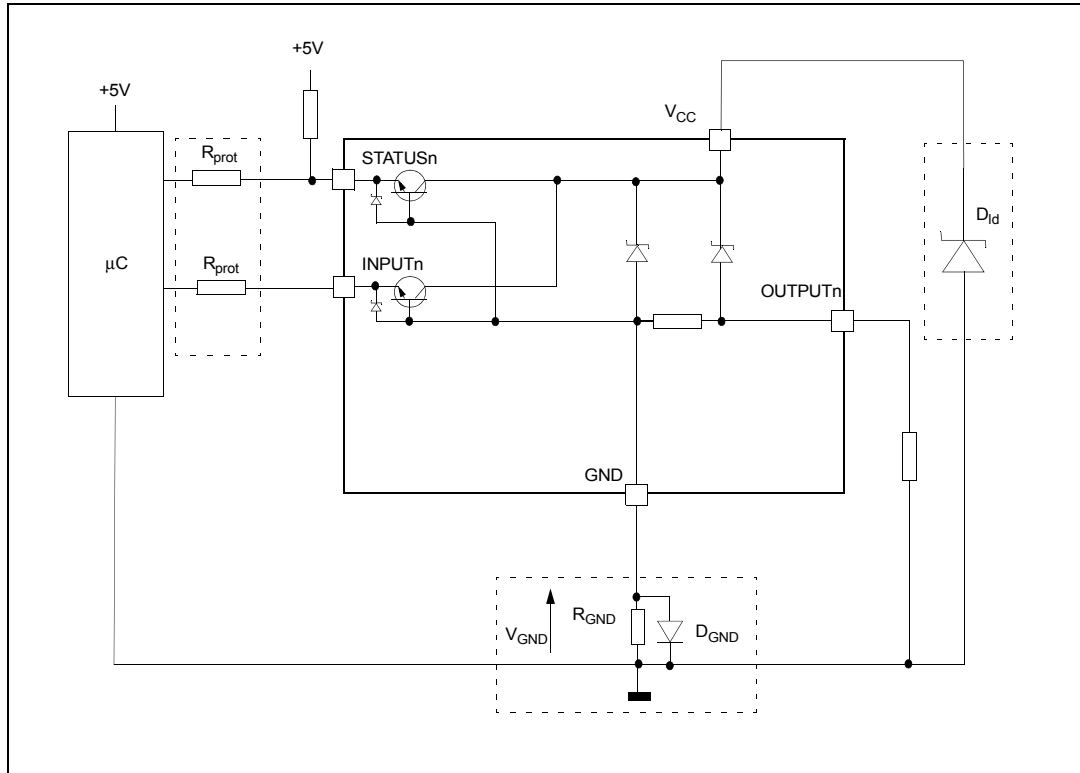
Figure 23. Openload off-state voltage detection threshold





### 3 Application information

Figure 24. Application schematic



#### 3.1 GND protection network against reverse battery

This section provides two solutions for implementing a ground protection network against reverse battery.

##### 3.1.1 Solution 1: a resistor in the ground line (R<sub>GND</sub> only)

This can be used with any type of load.

The following show how to dimension the R<sub>GND</sub> resistor:

1.  $R_{GND} \leq 600\text{mV} / 2 (I_{S(on)max})$
2.  $R_{GND} \geq (-V_{CC}) / (-I_{GND})$

where  $-I_{GND}$  is the DC reverse ground pin current and can be found in the absolute maximum rating section of the device datasheet.

Power dissipation in R<sub>GND</sub> (when V<sub>CC</sub> < 0 during reverse battery situations) is:

$$P_D = (-V_{CC})^2 / R_{GND}$$

This resistor can be shared amongst several different HSDs. Please note that the value of this resistor should be calculated with formula (1) where  $I_{S(on)max}$  becomes the sum of the maximum on-state currents of the different devices.

Please note that, if the microprocessor ground is not shared by the device ground, then the  $R_{GND}$  will produce a shift ( $I_{S(on)max} * R_{GND}$ ) in the input thresholds and the status output values. This shift will vary depending on how many devices are ON in the case of several high side drivers sharing the same  $R_{GND}$ .

If the calculated power dissipation requires the use of a large resistor, or several devices have to share the same resistor, then ST suggests using solution 2 below.

### 3.1.2 Solution 2: a diode ( $D_{GND}$ ) in the ground line

A resistor ( $R_{GND} = 1k\Omega$ ) should be inserted in parallel to  $D_{GND}$  if the device will be driving an inductive load. This small signal diode can be safely shared amongst several different HSD. Also in this case, the presence of the ground network will produce a shift ( $\pm 600mV$ ) in the input threshold and the status output values if the microprocessor ground is not common with the device ground. This shift will not vary if more than one HSD shares the same diode/resistor network. Series resistor in INPUT and STATUS lines are also required to prevent that, during battery voltage transient, the current exceeds the Absolute Maximum Rating. Safest configuration for unused INPUT and STATUS pin is to leave them unconnected.

## 3.2 Load dump protection

$D_{ld}$  is necessary (voltage transient suppressor) if the load dump peak voltage exceeds the  $V_{CC}$  maximum DC rating. The same applies if the device is subject to transients on the  $V_{CC}$  line that are greater than those shown in the ISO T/R 7637/1 table.

## 3.3 MCU I/O protection

If a ground protection network is used and negative transients are present on the  $V_{CC}$  line, the control pins will be pulled negative. ST suggests to insert a resistor ( $R_{prot}$ ) in line to prevent the  $\mu C$  I/O pins from latching up.

The value of these resistors is a compromise between the leakage current of  $\mu C$  and the current required by the HSD I/Os (Input levels compatibility) with the latch-up limit of  $\mu C$  I/Os:

$$-V_{CCpeak} / I_{latchup} \leq R_{prot} \leq (V_{OH\mu C} - V_{IH} - V_{GND}) / I_{IHmax}$$

### Example

For the following conditions:

$$V_{CCpeak} = -100V$$

$$I_{latchup} \geq 20mA$$

$$V_{OH\mu C} \geq 4.5V$$

$$5k\Omega \leq R_{prot} \leq 65k\Omega$$

Recommended values are:

$$R_{prot} = 10k\Omega$$

### 3.4 Open load detection in off-state

Off-state open load detection requires an external pull-up resistor ( $R_{PU}$ ) connected between OUTPUT pin and a positive supply voltage ( $V_{PU}$ ) like the +5V line used to supply the microprocessor.

The external resistor has to be selected according to the following requirements:

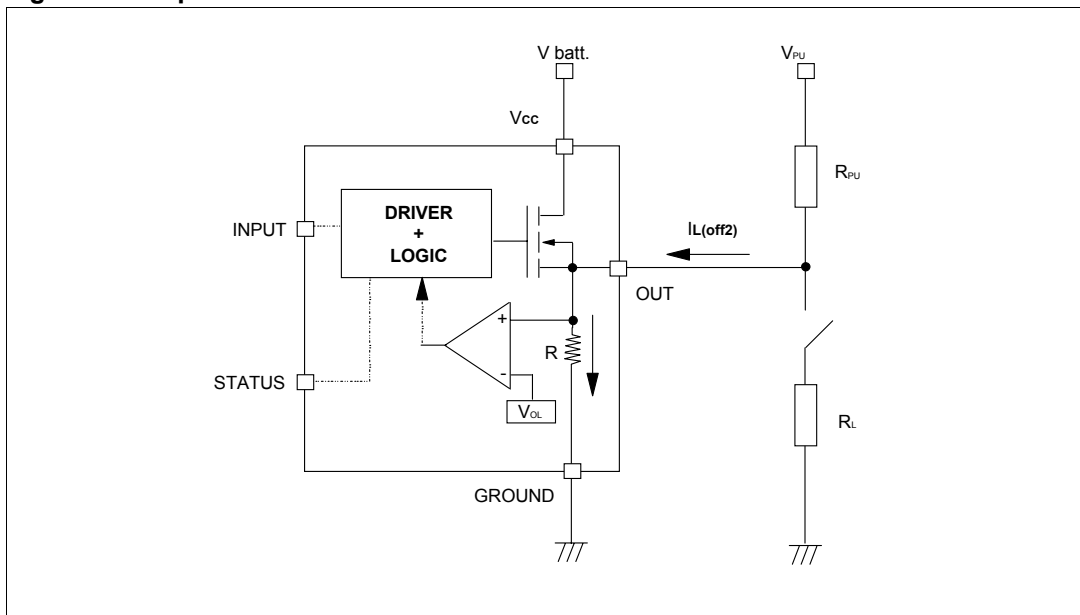
1) no false open load indication when load is connected: in this case we have to avoid  $V_{OUT}$  to be higher than  $V_{OLmin}$ ; this results in the following condition

$$V_{OUT} = (V_{PU} / (R_L + R_{PU}))R_L < V_{OLmin}.$$

2) no misdetection when load is disconnected: in this case the  $V_{OUT}$  has to be higher than  $V_{OLmax}$ ; this results in the following condition  $R_{PU} < (V_{PU} - V_{OLmax}) / I_{L(off2)}$ .

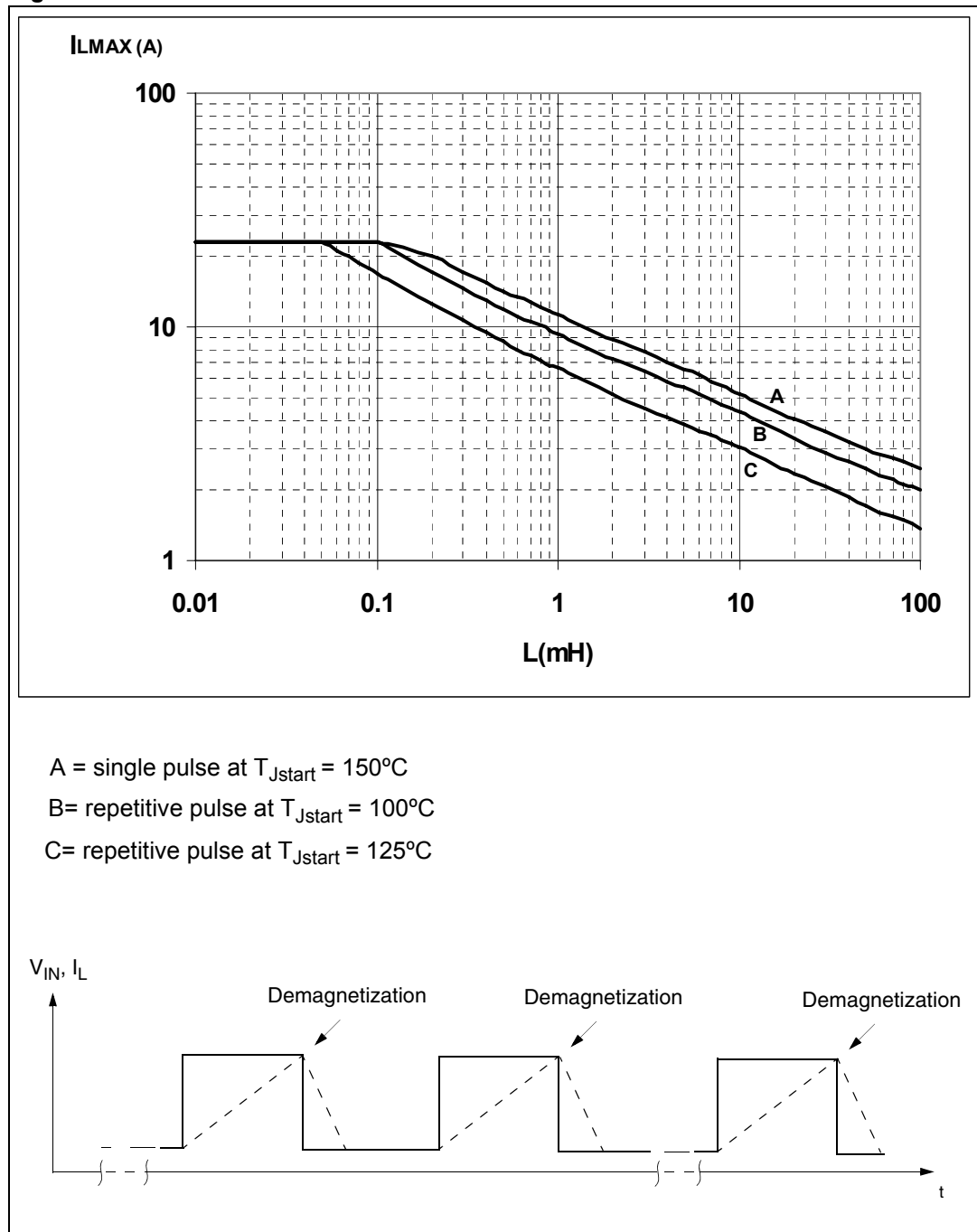
Because  $I_{S(OFF)}$  may significantly increase if  $V_{out}$  is pulled high (up to several mA), the pull-up resistor  $R_{PU}$  should be connected to a supply that is switched OFF when the module is in standby.

**Figure 25. Openload detection in Off-state**



### 3.5 Maximum demagnetization energy ( $V_{CC} = 13.5V$ )

Figure 26. Maximum turn-off current versus load inductance

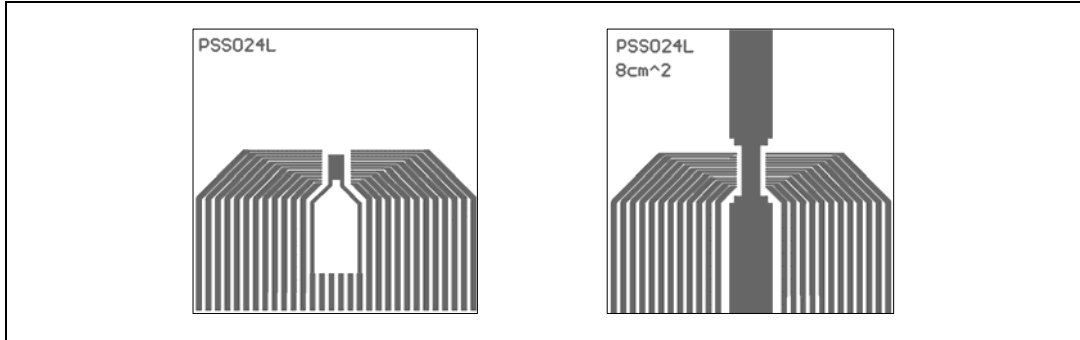


Note: Values are generated with  $R_L = 0\Omega$ .  
 In case of repetitive pulses,  $T_{Jstart}$  (at beginning of each demagnetization) of every pulse must not exceed the temperature specified above for curves B and C.

## 4 Package and PC board thermal data

### 4.1 PowerSSO-24 thermal data

Figure 27. PowerSSO-24 PC board



Note: Layout condition of  $R_{th}$  and  $Z_{th}$  measurements (PCB FR4 area= 78 mm x 78 mm, PCB thickness=2 mm, Cu thickness=70 mm (front and back side), Copper areas: from minimum pad lay-out to 8 cm<sup>2</sup>).

Figure 28.  $R_{thi-amb}$  vs. PCB copper area in open box free air condition (one channel ON)

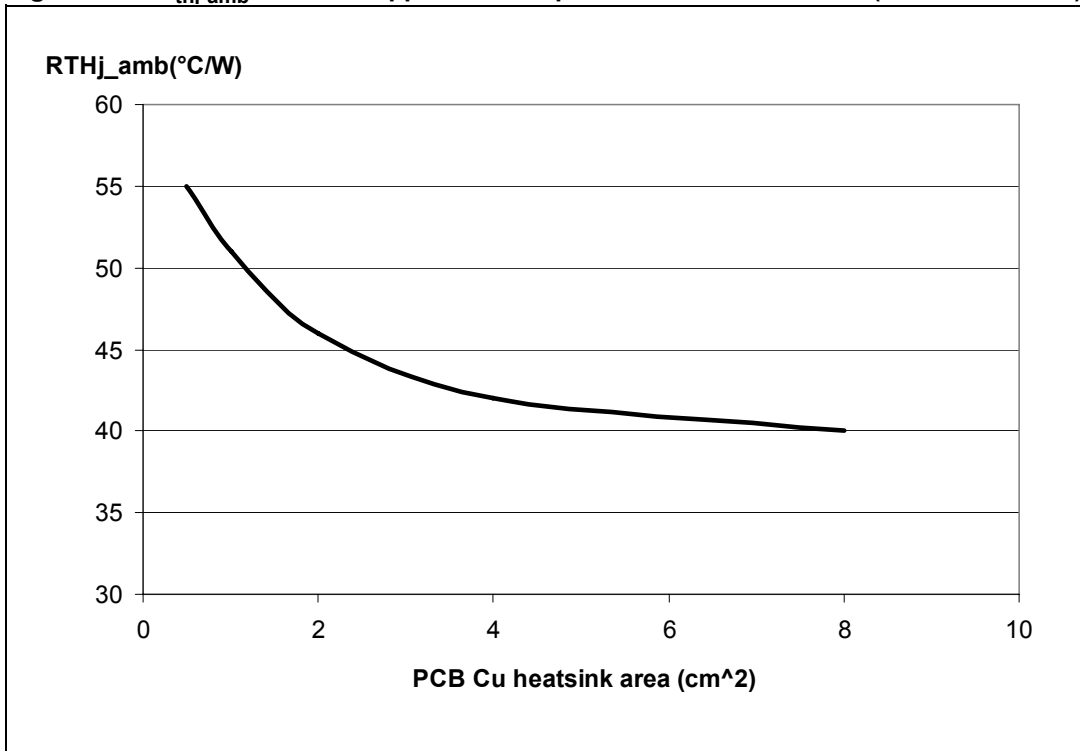


Figure 29. PowerSSO-24 thermal impedance junction ambient single pulse (one channel ON)

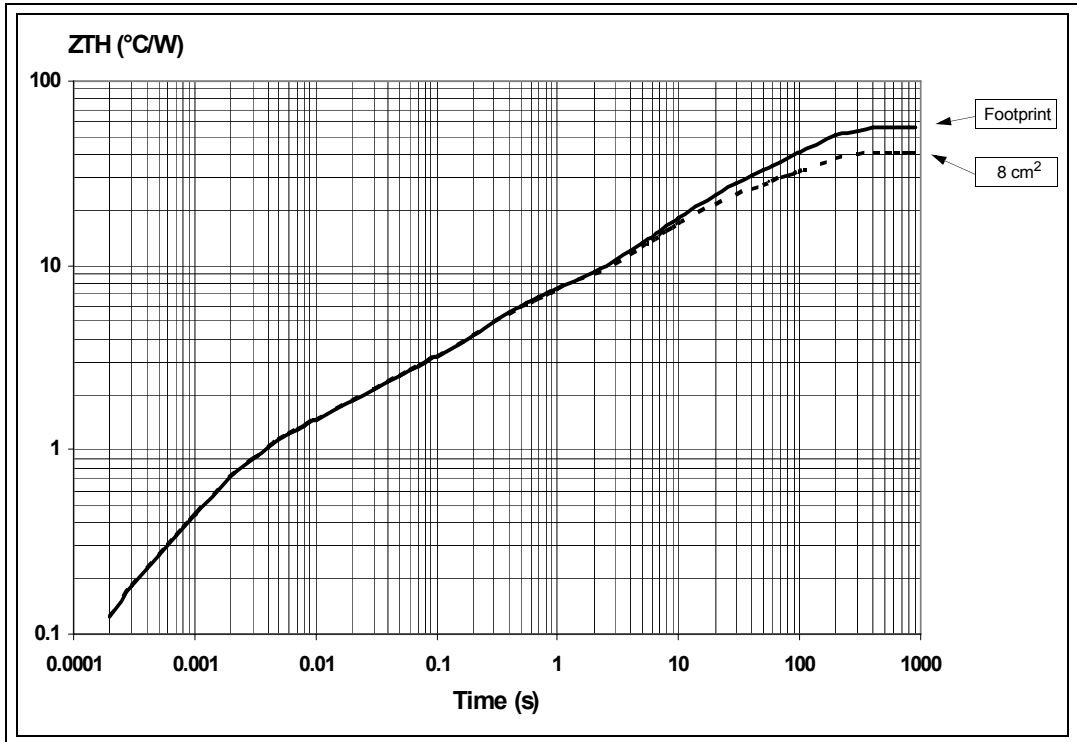
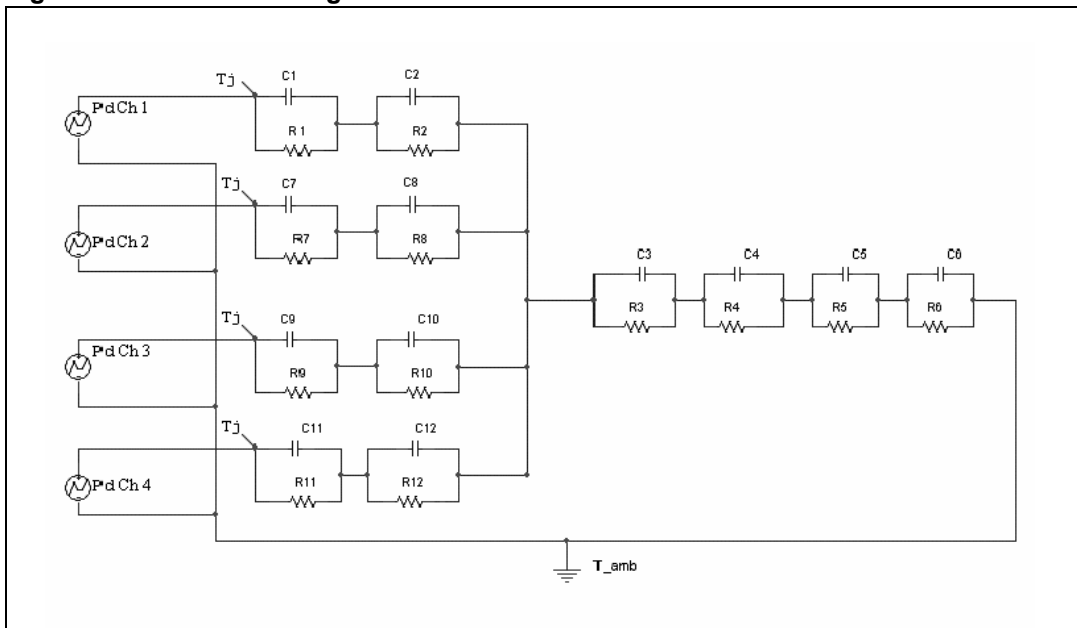


Figure 30. Thermal fitting model of a double channel HSD in PowerSSO-24 (b)



b. The fitting model is a simplified thermal tool and is valid for transient evolutions where the embedded protections (power limitation or thermal cycling during thermal shutdown) are not triggered.

**Equation 1: pulse calculation formula**

$$Z_{TH\delta} = R_{TH} \cdot \delta + Z_{THtp} (1 - \delta)$$

where  $\delta = t_p/T$

**Table 16. Thermal parameters**

Area/island (cm <sup>2</sup> )	Footprint	8
R1 = R7 = R9 = R11 (°C/W)	0.1	
R2 = R8 = R10 = R12 (°C/W)	0.9	
R3 (°C/W)	1	
R4 (°C/W)	4	
R5 (°C/W)	13.5	
R6 (°C/W)	37	22
C1 = C7 = C9 = C11 (W.s/°C)	0.0006	
C2 = C8 = C10 = C12 (W.s/°C)	0.0025	
C3 (W.s/°C)	0.025	
C4 (W.s/°C)	0.08	
C5 (W.s/°C)	0.7	
C6 (W.s/°C)	3	5

## 5 Package and packing information

### 5.1 ECOPACK® packages

In order to meet environmental requirements, ST offers these devices in different grades of ECOPACK® packages, depending on their level of environmental compliance. ECOPACK® specifications, grade definitions and product status are available at: [www.st.com](http://www.st.com).

ECOPACK® is an ST trademark.

### 5.2 PowerSSO-24 mechanical data

Figure 31. PowerSSO-24 package dimensions

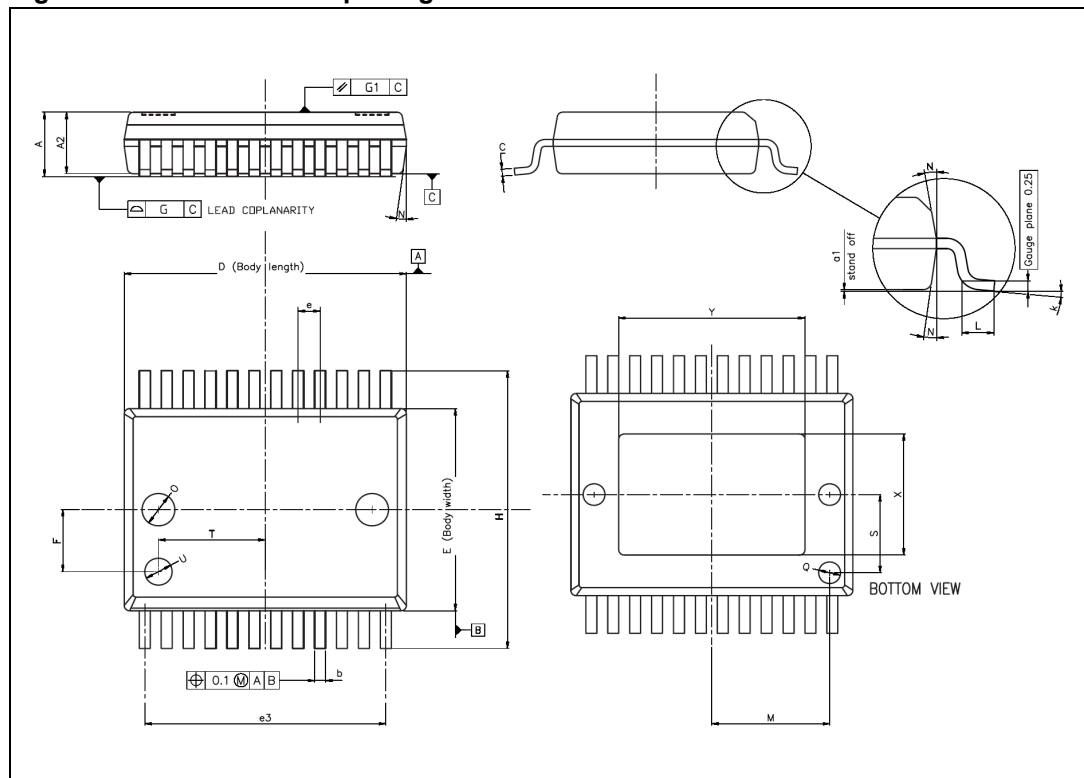




Table 17. PowerSSO-24 mechanical data<sup>(1) (2)</sup>

Symbol	Millimeters		
	Min.	Typ.	Max.
A			2.45
A2	2.15		2.35
a1	0		0.10
b	0.33		0.51
c	0.23		0.32
D <sup>(3)</sup>	10.10		10.50
E <sup>(3)</sup>	7.40		7.60
e		0.8	
e3		8.8	
F		2.3	
G			0.1
G1			0.06
H	10.1		10.5
h			0.4
k	0°		8°
L	0.55		0.85
O		1.2	
Q		0.8	
S		2.9	
T		3.65	
U		1	
N			10°
X	4.1		4.7
Y	6.5 4.9 <sup>(4)</sup>		7.1 5.5 <sup>(4)</sup>

1. No intrusion allowed inwards the leads.
2. Flash or bleeds on exposed die pad shall not exceed 0.4 mm per side
3. "D and E" do not include mold flash or protusions.  
Mold flash or protusions shall not exceed 0.15 mm.
4. Variations for small window leadframe option.

### 5.3 Packing information

Figure 32. PowerSSO-24 tube shipment (no suffix)

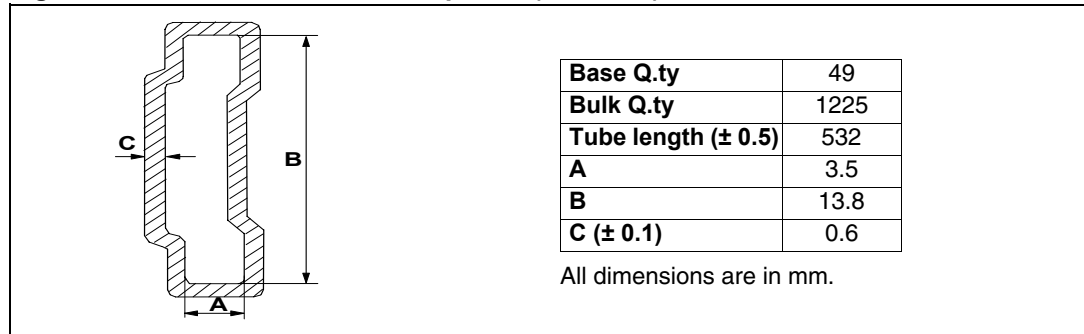
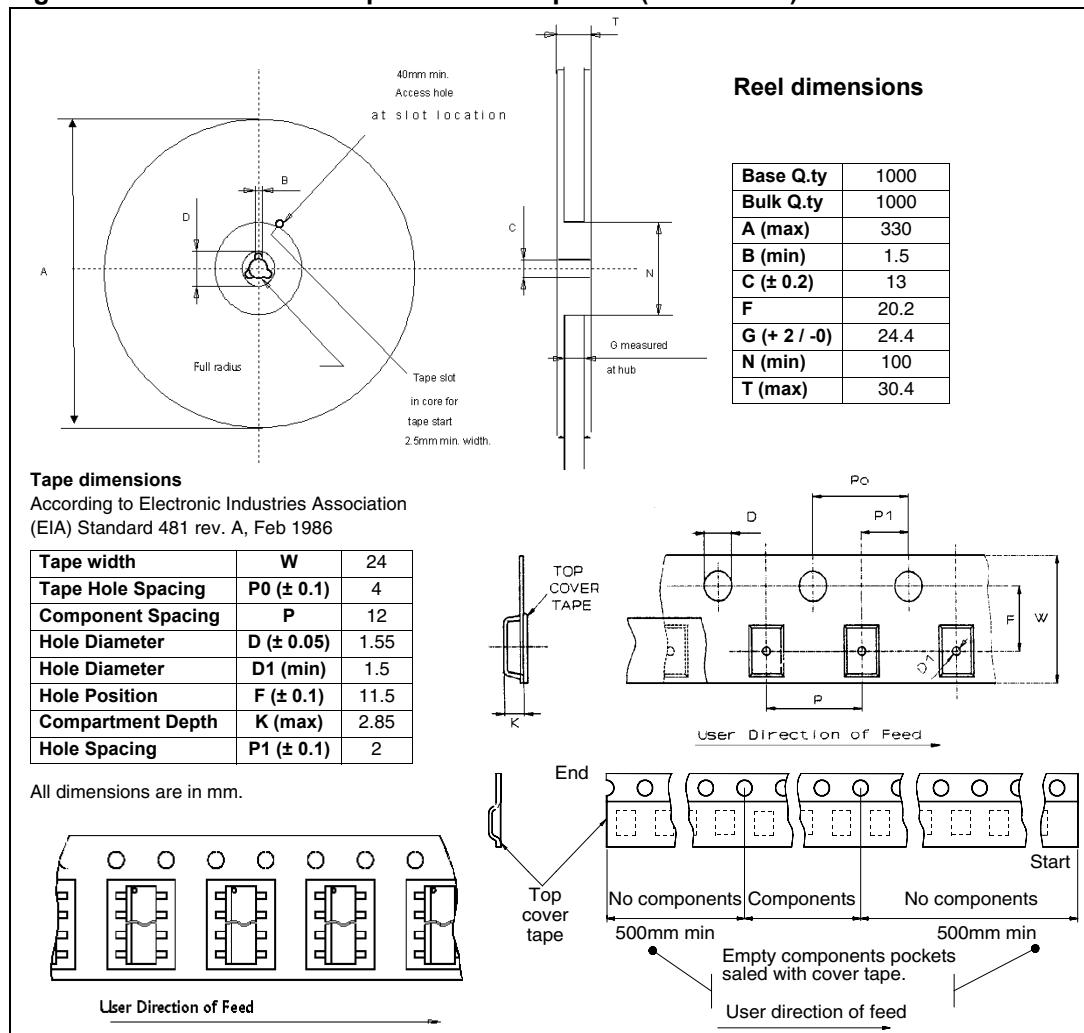


Figure 33. PowerSSO-24 tape and reel shipment (suffix "TR")



## 6 Revision history

**Table 18. Document revision history**

Date	Revision	Changes
22-Nov-2004	1	Initial release.
07-Dec-2004	2	Electrical characterization curves insertion. PCB copper area correction.
01-Apr-2005	3	Changed document status from preliminary to definitive.
04-May-2005	4	Thermal fitting model parameters correction. Emax insertion. Maximum turn-off current versus load inductance curve insertion.
03-May-2006	5	Configuration diagram modification. Shipment data insertion.
26-Nov-2008	6	Document reformatted and restructured. Added list of contents, tables and figures. Added <i>ECOPACK® packages</i> information. Update <i>PowerSSO-24 mechanical data</i> .
02-Jul-2009	7	<i>Table 17: PowerSSO-24 mechanical data:</i> – Changed A (max) value from 2.50 to 2.45 – Changed A2 (max) value from 2.40 to 2.35 – Updated k values – Changed L (min) value from 0.6 to 0.55 – Changed L (min) value from 1 to 0.88

**Please Read Carefully:**

Information in this document is provided solely in connection with ST products. STMicroelectronics NV and its subsidiaries ("ST") reserve the right to make changes, corrections, modifications or improvements, to this document, and the products and services described herein at any time, without notice.

All ST products are sold pursuant to ST's terms and conditions of sale.

Purchasers are solely responsible for the choice, selection and use of the ST products and services described herein, and ST assumes no liability whatsoever relating to the choice, selection or use of the ST products and services described herein.

No license, express or implied, by estoppel or otherwise, to any intellectual property rights is granted under this document. If any part of this document refers to any third party products or services it shall not be deemed a license grant by ST for the use of such third party products or services, or any intellectual property contained therein or considered as a warranty covering the use in any manner whatsoever of such third party products or services or any intellectual property contained therein.

**UNLESS OTHERWISE SET FORTH IN ST'S TERMS AND CONDITIONS OF SALE ST DISCLAIMS ANY EXPRESS OR IMPLIED WARRANTY WITH RESPECT TO THE USE AND/OR SALE OF ST PRODUCTS INCLUDING WITHOUT LIMITATION IMPLIED WARRANTIES OF MERCHANTABILITY, FITNESS FOR A PARTICULAR PURPOSE (AND THEIR EQUIVALENTS UNDER THE LAWS OF ANY JURISDICTION), OR INFRINGEMENT OF ANY PATENT, COPYRIGHT OR OTHER INTELLECTUAL PROPERTY RIGHT.**

**UNLESS EXPRESSLY APPROVED IN WRITING BY AN AUTHORIZED ST REPRESENTATIVE, ST PRODUCTS ARE NOT RECOMMENDED, AUTHORIZED OR WARRANTED FOR USE IN MILITARY, AIR CRAFT, SPACE, LIFE SAVING, OR LIFE SUSTAINING APPLICATIONS, NOR IN PRODUCTS OR SYSTEMS WHERE FAILURE OR MALFUNCTION MAY RESULT IN PERSONAL INJURY, DEATH, OR SEVERE PROPERTY OR ENVIRONMENTAL DAMAGE. ST PRODUCTS WHICH ARE NOT SPECIFIED AS "AUTOMOTIVE GRADE" MAY ONLY BE USED IN AUTOMOTIVE APPLICATIONS AT USER'S OWN RISK.**

Resale of ST products with provisions different from the statements and/or technical features set forth in this document shall immediately void any warranty granted by ST for the ST product or service described herein and shall not create or extend in any manner whatsoever, any liability of ST.

ST and the ST logo are trademarks or registered trademarks of ST in various countries.

Information in this document supersedes and replaces all information previously supplied.

The ST logo is a registered trademark of STMicroelectronics. All other names are the property of their respective owners.

© 2009 STMicroelectronics - All rights reserved

STMicroelectronics group of companies

Australia - Belgium - Brazil - Canada - China - Czech Republic - Finland - France - Germany - Hong Kong - India - Israel - Italy - Japan - Malaysia - Malta - Morocco - Philippines - Singapore - Spain - Sweden - Switzerland - United Kingdom - United States of America

[www.st.com](http://www.st.com)