

TIBPAL20L8-15C, TIBPAL20R4-15C, TIBPAL20R6-15C, TIBPAL20R8-15C
TIBPAL20L8-20M, TIBPAL20R4-20M, TIBPAL20R6-20M, TIBPAL20R8-20M
HIGH-PERFORMANCE IMPACT™ PAL® CIRCUITS

SRPS021A – D2920, JUNE 1986 – REVISED DECEMBER 2010

- **High-Performance: f_{max} (w/o feedback)**
TIBPAL20R' -15C Series . . . 45 MHz
TIBPAL20R' -20M Series . . . 41.6 MHz
- **High-Performance . . . 45 MHz Min**
- **Reduced I_{CC} of 180 mA Max**
- **Functionally Equivalent, but Faster Than**
PAL20L8, PAL20R4, PAL20R6, PAL20R8
- **Power-Up Clear on Registered Devices (All**
Register Outputs are Set Low, but Voltage
Levels at the Output Pins Go High)
- **Preload Capability on Output Registers**
Simplifies Testing
- **Package Options Include Both Plastic and**
Ceramic Chip Carriers in Addition to Plastic
and Ceramic DIPs

DEVICE	I INPUTS	3-STATE O OUTPUTS	REGISTERED Q OUTPUTS	I/O PORT S
PAL20L8	14	2	0	6
PAL20R4	12	0	4 (3-state buffers)	4
PAL20R6	12	0	6 (3-state buffers)	2
PAL20R8	12	0	8 (3-state buffers)	0

description

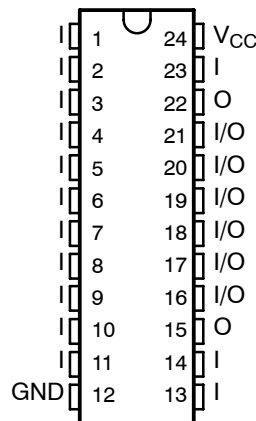
These programmable array logic devices feature high speed and functional equivalency when compared with currently available devices. These IMPACT™ circuits combine the latest Advanced Low-Power Schottky technology with proven titanium-tungsten fuses to provide reliable, high-performance substitutes for conventional TTL logic. Their easy programmability allows for quick design of custom functions and typically results in a more compact circuit board. In addition, chip carriers are available for further reduction in board space.

Extra circuitry has been provided to allow loading of each register asynchronously to either a high or low state. This feature simplifies testing because the registers can be set to an initial state prior to executing the test sequence.

The TIBPAL20' C series is characterized from 0°C to 75°C. The TIBPAL20' M series is characterized for operation over the full military temperature range of -55°C to 125°C.

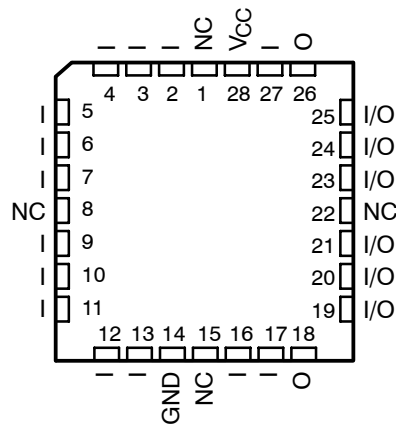
TIBPAL20L8'
C SUFFIX . . . JT OR NT PACKAGE
M SUFFIX . . . JT OR W PACKAGE

(TOP VIEW)



TIBPAL20L8'
C SUFFIX . . . FN PACKAGE
M SUFFIX . . . FK PACKAGE

(TOP VIEW)



NC – No internal connection
 Pin assignments in operating mode

IMPACT is a trademark of Texas Instruments Incorporated.
 PAL is a registered trademark of Advanced Micro Devices Inc.

PRODUCTION DATA information is current as of publication date.
 Products conform to specifications per the terms of Texas Instruments
 standard warranty. Production processing does not necessarily
 include testing of all parameters.

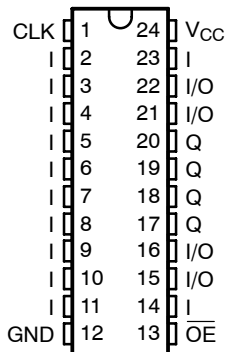
Copyright © 2010, Texas Instruments Incorporated

**TIBPAL20R4-15C, TIBPAL20R6-15C, TIBPAL20R8-15C
TIBPAL20R4-20M, TIBPAL20R6-20M, TIBPAL20R8-20M
HIGH-PERFORMANCE *IMPACT*™ PAL® CIRCUITS**

SRPS021A – D2920, JUNE 1986 – REVISED DECEMBER 2010

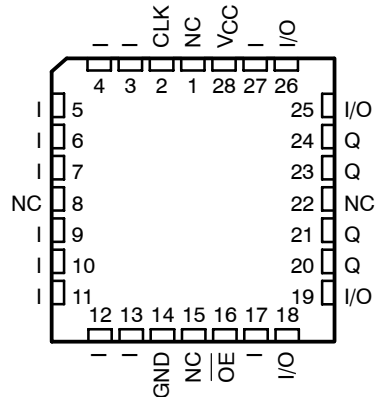
TIBPAL20R4'
C SUFFIX . . . JT OR NT PACKAGE
M SUFFIX . . . JT OR W PACKAGE

(TOP VIEW)



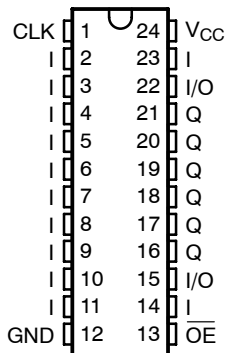
TIBPAL20R4'
C SUFFIX . . . FN PACKAGE
M SUFFIX . . . FK PACKAGE

(TOP VIEW)



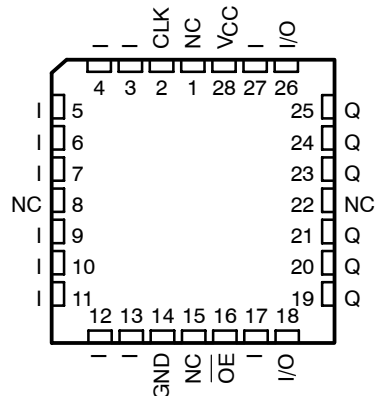
TIBPAL20R6'
C SUFFIX . . . JT OR NT PACKAGE
M SUFFIX . . . JT OR W PACKAGE

(TOP VIEW)



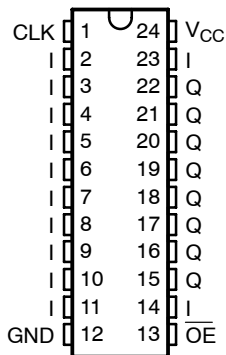
TIBPAL20R6'
C SUFFIX . . . FN PACKAGE
M SUFFIX . . . FK PACKAGE

(TOP VIEW)



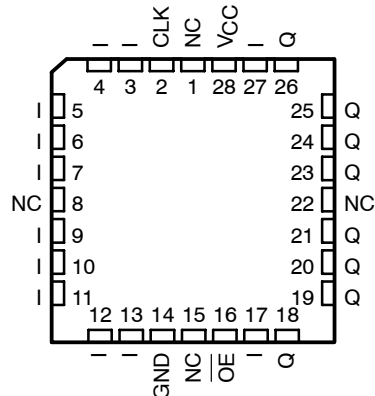
TIBPAL20R8'
C SUFFIX . . . JT OR NT PACKAGE
M SUFFIX . . . JT OR W PACKAGE

(TOP VIEW)



TIBPAL20R8'
C SUFFIX . . . FN PACKAGE
M SUFFIX . . . FK PACKAGE

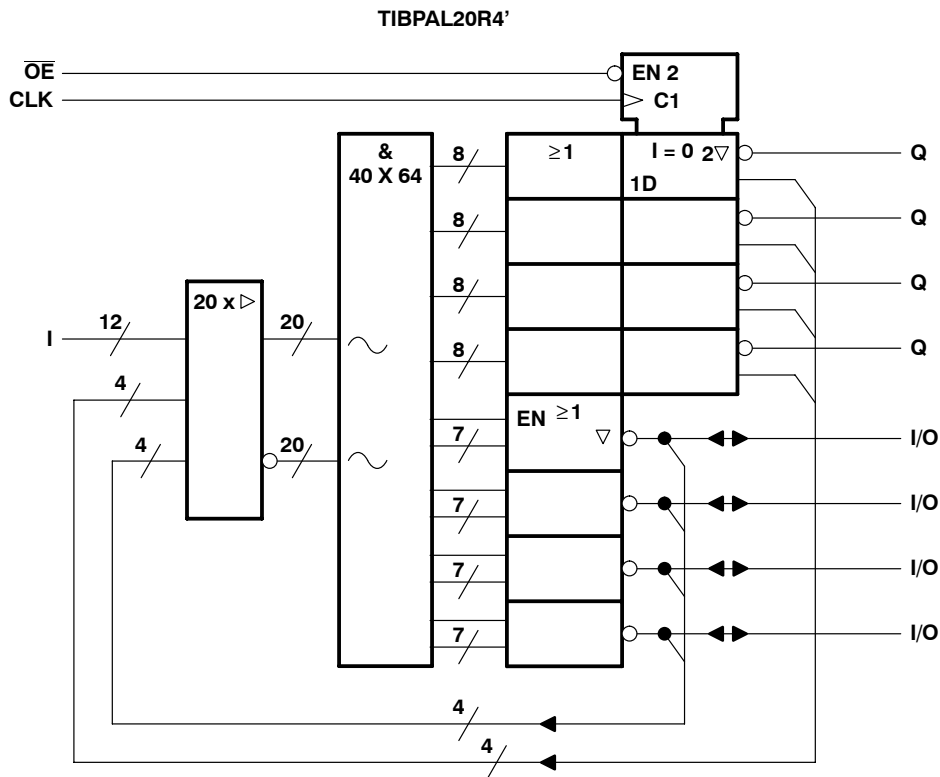
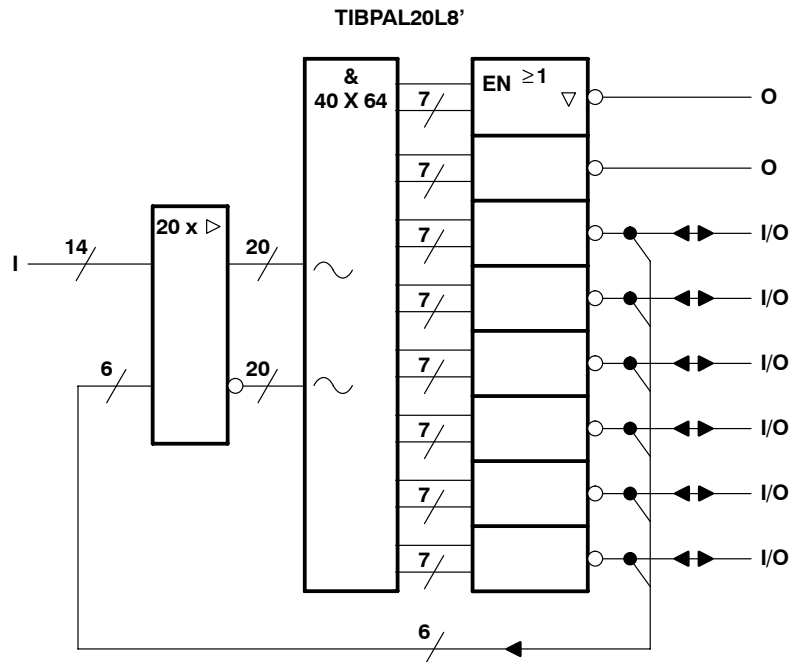
(TOP VIEW)



Pin assignments in operating mode

NC – No internal connection

functional block diagrams (positive logic)



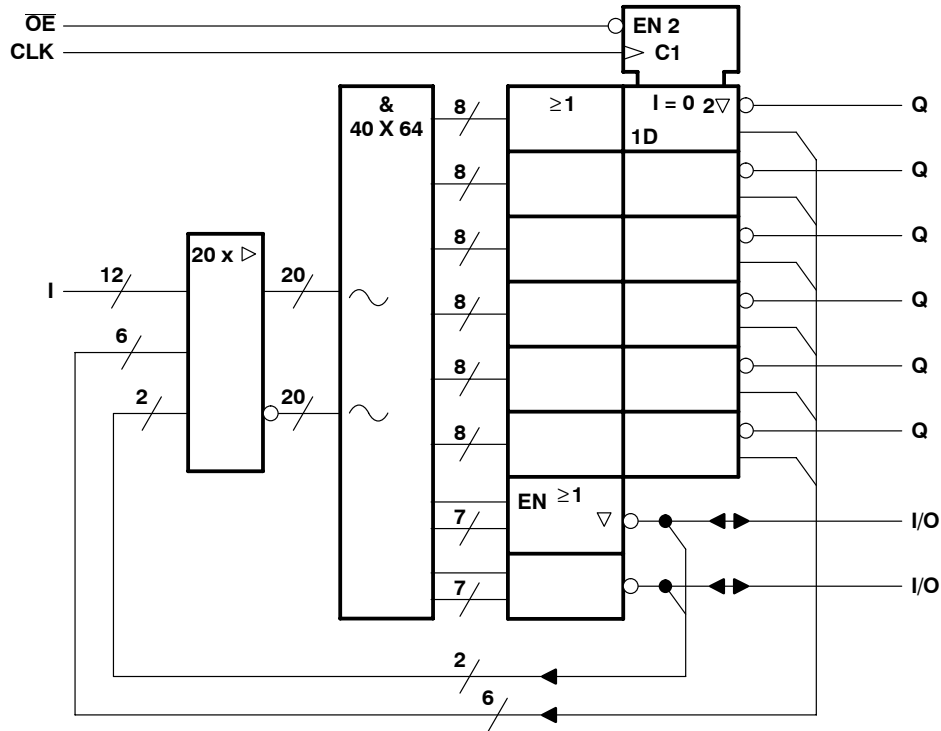
~ denotes fused inputs

**TIBPAL20R6-15C, TIBPAL20R8-15C
TIBPAL20R6-20M, TIBPAL20R8-20M
HIGH-PERFORMANCE *IMPACT*™ PAL® CIRCUITS**

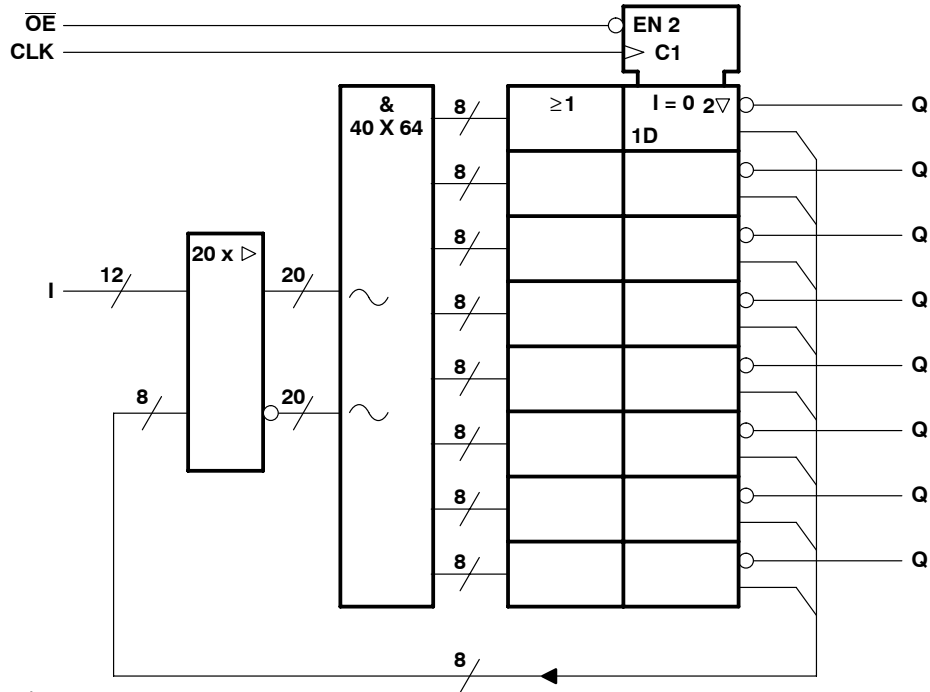
SRPS021A - D2920, JUNE 1986 - REVISED DECEMBER 2010

functional block diagrams (positive logic)

TIBPAL20R6'

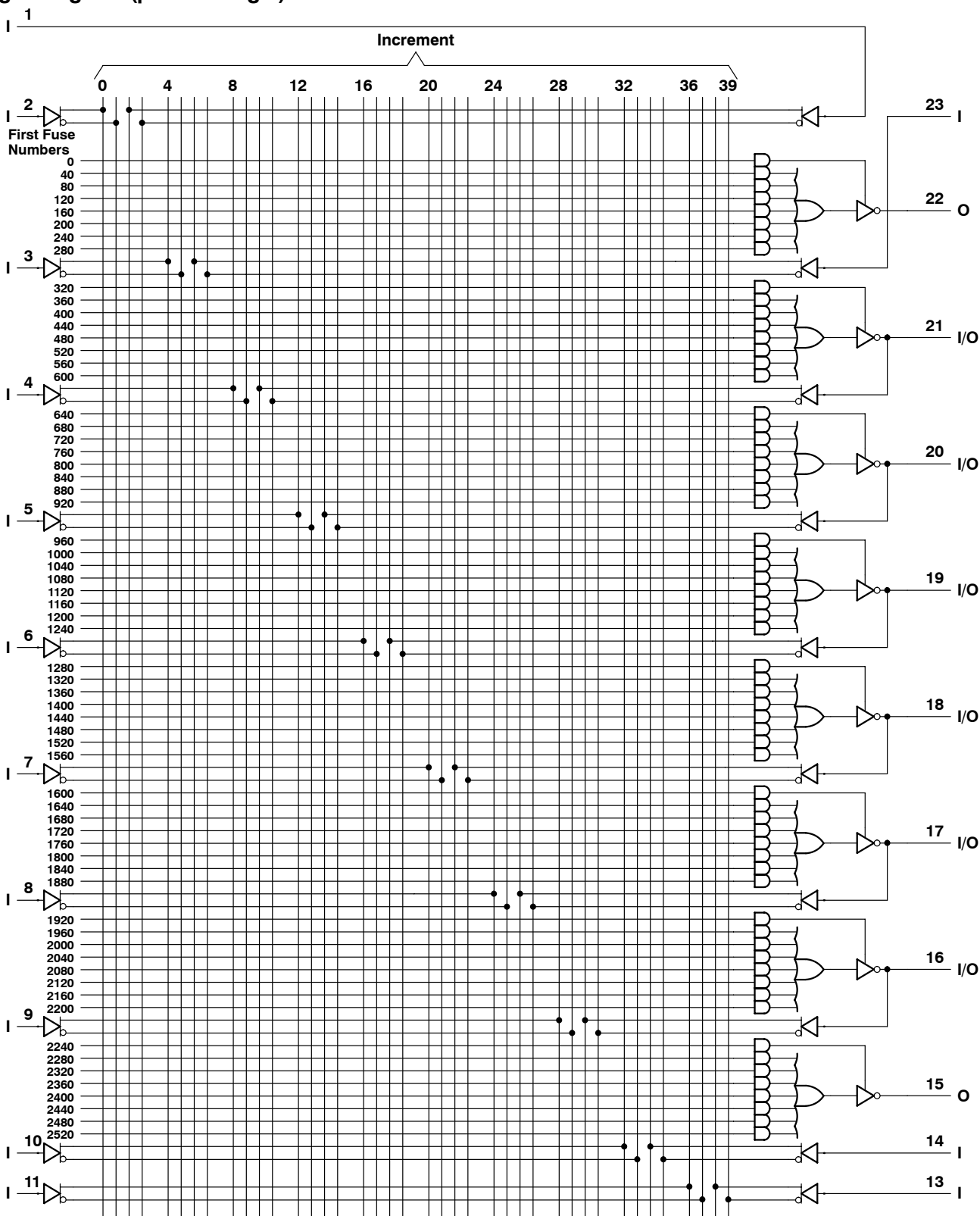


TIBPAL20R8'



~ denotes fused inputs

logic diagram (positive logic)

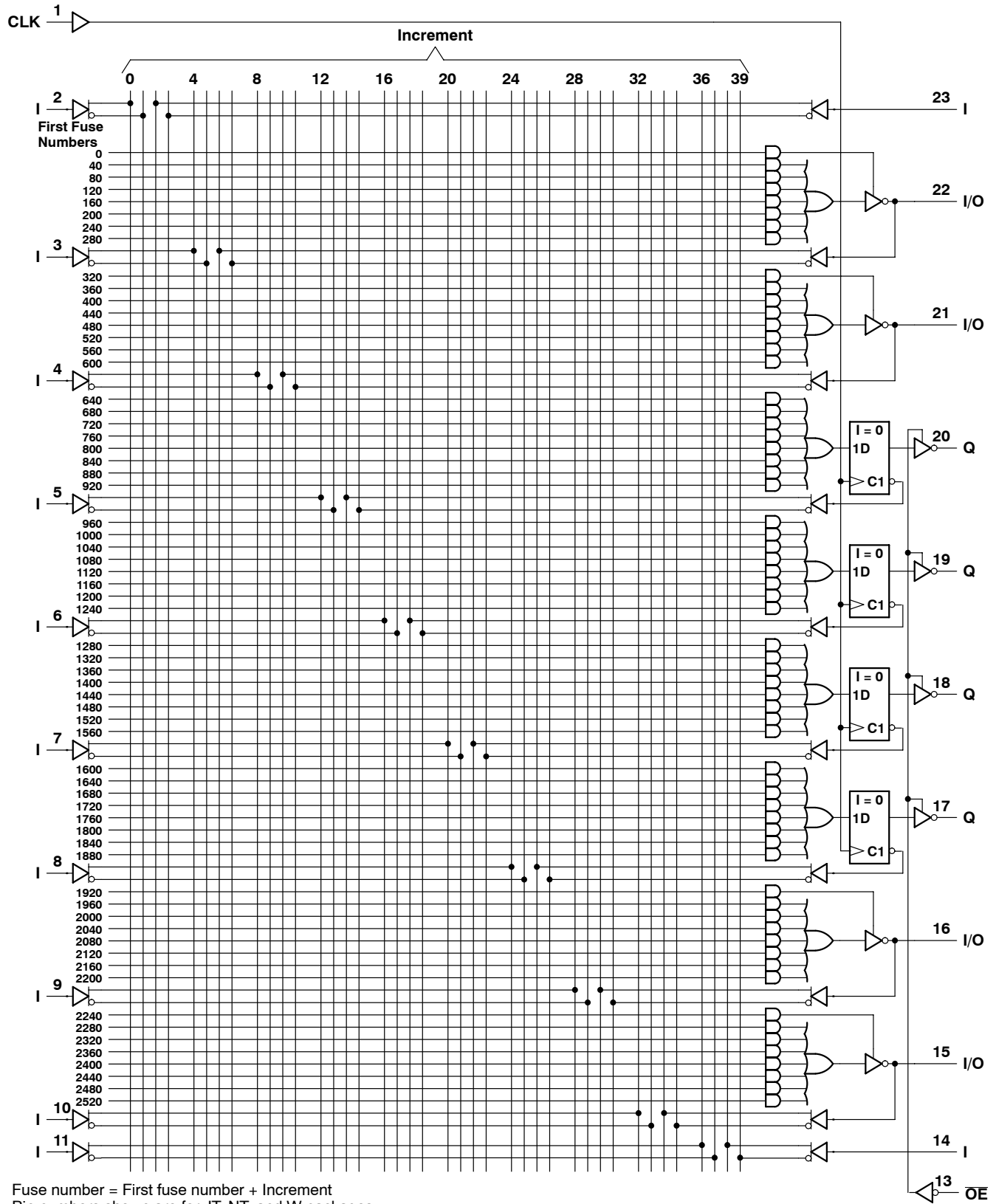


Fuse number = First fuse number + Increment
 Pin numbers shown are for JT, NT, and W packages.

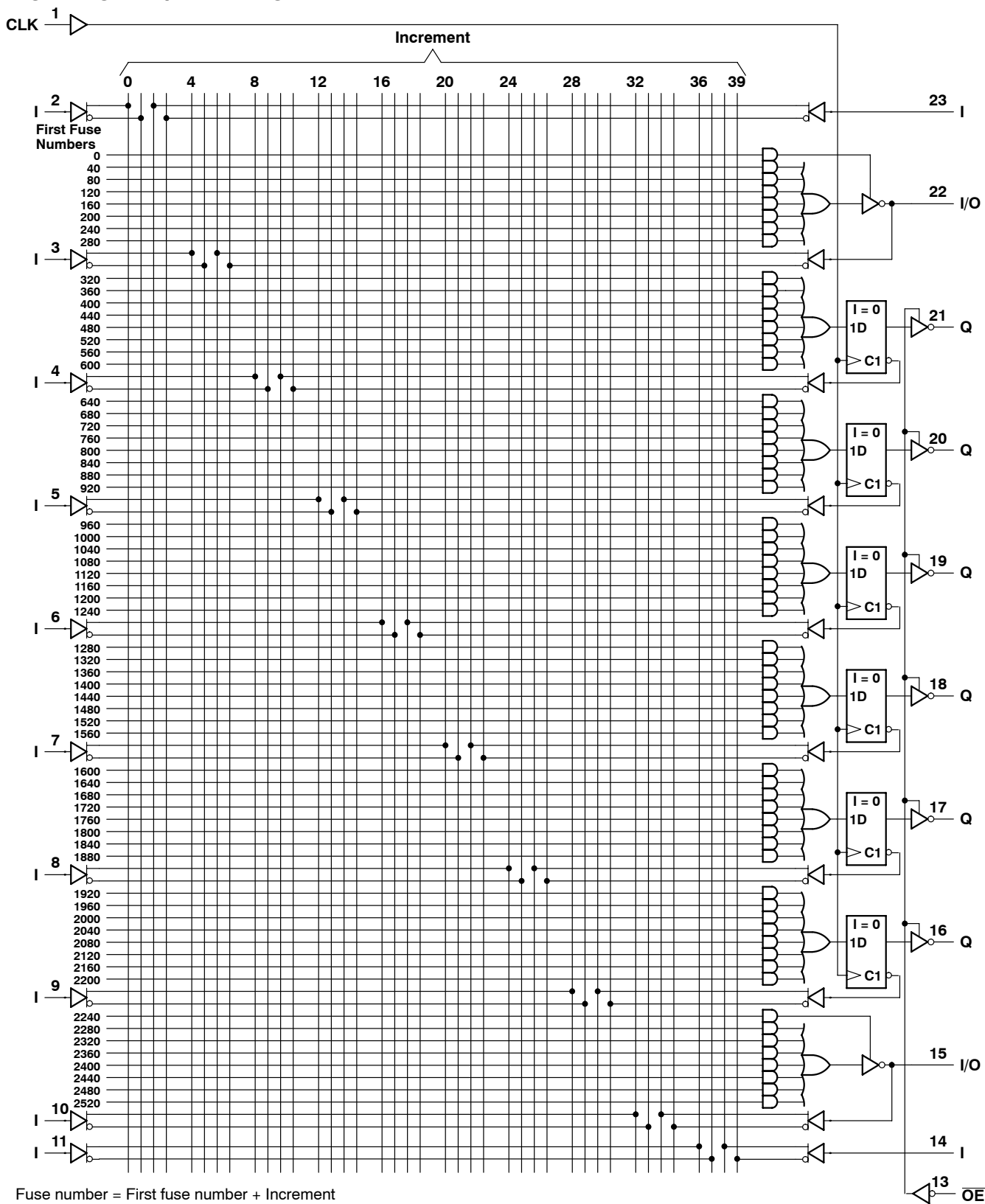
TIBPAL20R4-15C
TIBPAL20R4-20M
HIGH-PERFORMANCE *IMPACT*™ PAL® CIRCUITS

SRPS021A - D2920, JUNE 1986 - REVISED DECEMBER 2010

logic diagram (positive logic)



logic diagram (positive logic)

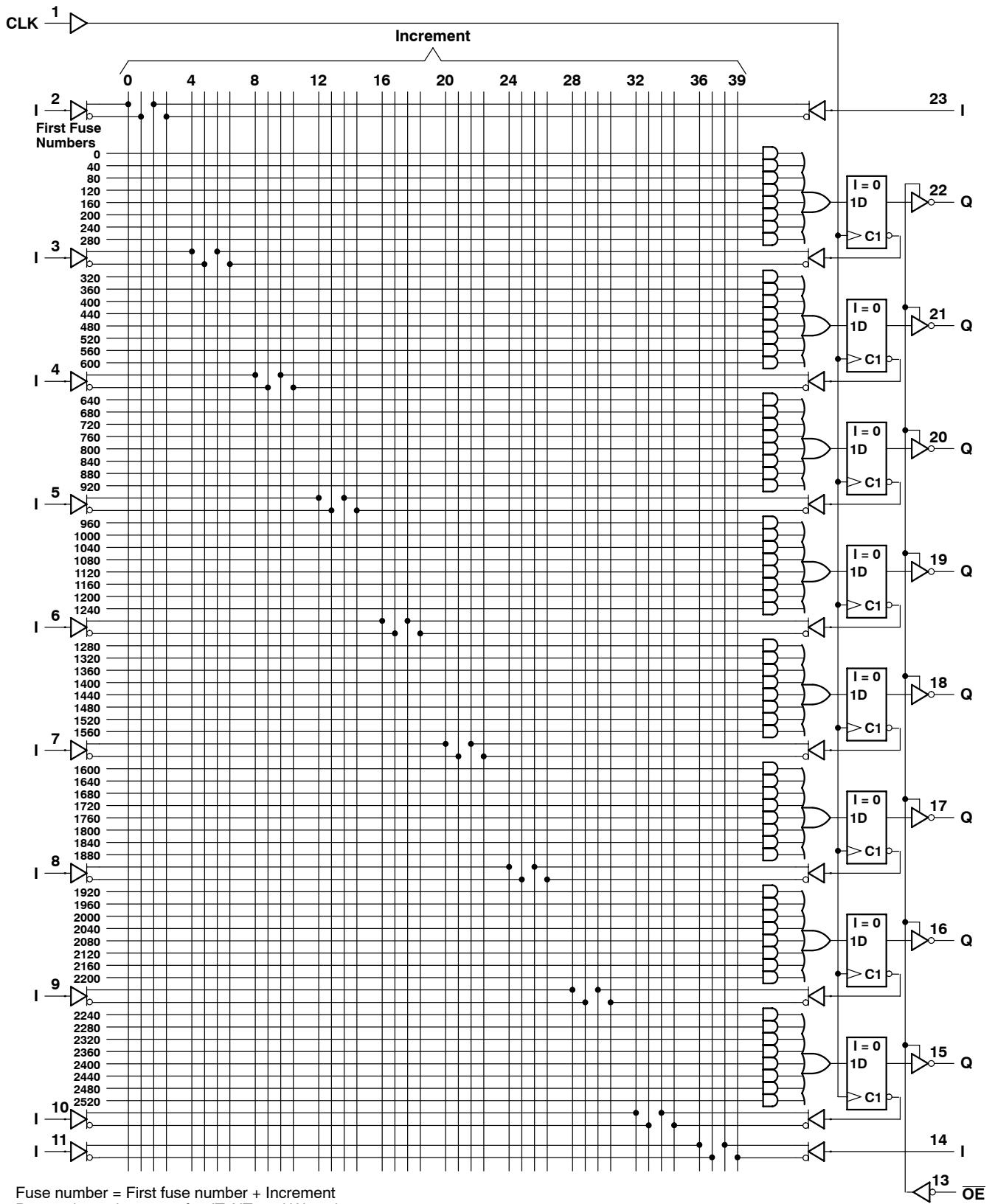


Fuse number = First fuse number + Increment
Pin numbers shown are for JT, NT, and W packages.

TIBPAL20R8-15C
TIBPAL20R8-20M
HIGH-PERFORMANCE *IMPACT*™ PAL® CIRCUITS

SRPS021A - D2920, JUNE 1986 - REVISED DECEMBER 2010

logic diagram (positive logic)



Fuse number = First fuse number + Increment
 Pin numbers shown are for JT, NT, and W packages.

TIBPAL20L8-15C, TIBPAL20R4-15C, TIBPAL20R6-15C, TIBPAL20R8-15C HIGH-PERFORMANCE *IMPACT*™ *PAL*® CIRCUITS

SRPS021A – D2920, JUNE 1986 – REVISED DECEMBER 2010

absolute maximum ratings over operating free-air temperature range (unless otherwise noted)

Supply voltage, V_{CC} (see Note 1)	7 V
Input voltage (see Note 1)	5.5 V
Voltage applied to disabled output (see Note 1)	5.5 V
Operating free-air temperature range	0°C to 75°C
Storage temperature range	–65°C to 150°C

NOTE 1: These ratings apply except for programming pins during a programming cycle.

recommended operating conditions

		MIN	NOM	MAX	UNIT
V_{CC}	Supply voltage	4.75	5	5.25	V
V_{IH}	High-level input voltage	2		5.5	V
V_{IL}	Low-level input voltage			0.8	V
I_{OH}	High-level output current			–3.2	mA
I_{OL}	Low-level output current			24	mA
f_{clock}^{\dagger}	Clock frequency	0		45	MHz
t_w^{\dagger}	Pulse duration, clock	High	10		ns
		Low	12		
t_{su}^{\dagger}	Setup time, input or feedback before clock \uparrow	15			ns
t_h^{\dagger}	Hold time, input or feedback after clock \uparrow	0			ns
T_A	Operating free-air temperature	0	25	75	°C

$^{\dagger} f_{clock}$, t_w , t_{su} , and t_h do not apply for TIBPAL20L8'.

TIBPAL20L8-15C, TIBPAL20R4-15C, TIBPAL20R6-15C, TIBPAL20R8-15C HIGH-PERFORMANCE *IMPACT*™ *PAL*® CIRCUITS

SRPS021A – D2920, JUNE 1986 – REVISED DECEMBER 2010

electrical characteristics over recommended operating free-air temperature range

PARAMETER		TEST CONDITIONS		MIN	TYP†	MAX	UNIT
V _{IK}		V _{CC} = 4.75 V,	I _I = -18 mA		-0.8	-1.5	V
V _{OH}		V _{CC} = 4.75 V,	I _{OH} = -3.2 mA	2.4			V
V _{OL}		V _{CC} = 4.75 V,	I _{OL} = 24 mA		0.3	0.5	V
I _{OZH}	O, Q outputs	V _{CC} = 5.25 V,	V _O = 2.7 V			20	μA
	I/O ports					100	
I _{OZL}	O, Q outputs	V _{CC} = 5.25 V,	V _O = 0.4 V			-20	μA
	I/O ports					-250	
I _I		V _{CC} = 5.25 V,	V _I = 5.5 V			0.1	mA
I _{IH} ‡		V _{CC} = 5.25 V,	V _I = 2.7 V			25	μA
I _{IL} ‡		V _{CC} = 5.25 V,	V _I = 0.4 V			-0.25	mA
I _{OS} §		V _{CC} = 5.25 V,	V _O = 0.5 V	-30	-70	-130	mA
I _{CC}		V _{CC} = 5.25 V, Outputs open,	V _I = 0, \overline{OE} at V _{IH}		120	180	mA

switching characteristics over recommended ranges of supply voltage and operating free-air temperature (unless otherwise noted)

PARAMETER	FROM (INPUT)	TO (OUTPUT)	TEST CONDITION	MIN	TYP†	MAX	UNIT
f _{max} ¶	With feedback		R1 = 200 Ω, R2 = 390 Ω, See Figure 3	37	40		MHz
	Without feedback			45	50		
t _{pd}	I, I/O	O, I/O			12	15	ns
t _{pd}	CLK↑	Q			8	12	ns
t _{en}	\overline{OE}	Q			10	15	ns
t _{dis}	\overline{OE} ↑	Q			8	12	ns
t _{en}	I, I/O	O, I/O			12	18	ns
t _{dis}	I, I/O	O, I/O			12	15	ns

† All typical values are at V_{CC} = 5 V, T_A = 25°C.

‡ For I/O ports, the parameters I_{IH} and I_{IL} include the off-state output current.

§ Not more than one output should be shorted at a time, and the duration of the short-circuit should not exceed one second.

$$¶ f_{\max}(\text{with feedback}) = \frac{1}{t_{\text{su}} + t_{\text{pd}}(\text{CLK to Q})}, \quad f_{\max}(\text{without feedback}) = \frac{1}{t_{\text{w high}} + t_{\text{w low}}}$$

f_{max} does not apply for TIBPAL20L8.

TIBPAL20L8-20M, TIBPAL20R4-20M, TIBPAL20R6-20M, TIBPAL20R8-20M HIGH-PERFORMANCE *IMPACT*™ *PAL*® CIRCUITS

SRPS021A – D2920, JUNE 1986 – REVISED DECEMBER 2010

absolute maximum ratings over operating free-air temperature range (unless otherwise noted)

Supply voltage, V_{CC} (see Note 1)	7 V
Input voltage (see Note 1)	5.5 V
Voltage applied to disabled output (see Note 1)	5.5 V
Operating free-air temperature range	–55°C to 125°C
Storage temperature range	–65°C to 150°C

NOTE 1: These ratings apply except for programming pins during a programming cycle.

recommended operating conditions

		MIN	NOM	MAX	UNIT
V_{CC}	Supply voltage	4.5	5	5.5	V
V_{IH}	High-level input voltage	2		5.5	V
V_{IL}	Low-level input voltage			0.8	V
I_{OH}	High-level output current			–2	mA
I_{OL}	Low-level output current			12	mA
f_{clock}^\dagger	Clock frequency	0		41.6	MHz
t_w^\dagger	Pulse duration, clock	High		12	ns
		Low		12	
t_{su}^\dagger	Setup time, input or feedback before clock \uparrow	20			ns
t_h^\dagger	Hold time, input or feedback after clock \uparrow	0			ns
T_A	Operating free-air temperature	–55	25	125	°C

$^\dagger f_{clock}$, t_w , t_{su} , and t_h do not apply for TIBPAL20L8'.

TIBPAL20L8-20M, TIBPAL20R4-20M, TIBPAL20R6-20M, TIBPAL20R8-20M HIGH-PERFORMANCE *IMPACT*™ *PAL*® CIRCUITS

SRPS021A – D2920, JUNE 1986 – REVISED DECEMBER 2010

electrical characteristics over recommended operating free-air temperature range

PARAMETER		TEST CONDITIONS		MIN	TYP†	MAX	UNIT
V _{IK}		V _{CC} = 4.5 V,	I _I = -18 mA		-0.8	-1.5	V
V _{OH}		V _{CC} = 4.5 V,	I _{OH} = -2 mA	2.4	3.2		V
V _{OL}		V _{CC} = 4.5 V,	I _{OL} = 12 mA		0.3	0.5	V
I _{OZH}		V _{CC} = 5.5 V,	V _O = 2.7 V			100	μA
I _{OZL} ‡	O, Q outputs	V _{CC} = 5.5 V,	V _O = 0.4 V			-20	μA
	I/O ports					-250	
I _I		V _{CC} = 5.5 V,	V _I = 5.5 V			1	mA
I _{IH} ‡	I/O ports	V _{CC} = 5.5 V,	V _I = 2.7 V			100	μA
	All others					25	
I _{IL} ‡		V _{CC} = 5.5 V,	V _I = 0.4 V			-0.25	mA
I _{OS} §		V _{CC} = 5.5 V,	V _O = 0.5 V	-30	-70	-250	mA
I _{CC}		V _{CC} = 5.5 V, Outputs open,	V _I = 0, OE = V _{IH}		120	180	mA

switching characteristics over recommended ranges of supply voltage and operating free-air temperature (unless otherwise noted)

PARAMETER	FROM (INPUT)	TO (OUTPUT)	TEST CONDITION	MIN	TYP†	MAX	UNIT
f _{max} ¶	With feedback		R1 = 390 Ω, R2 = 750 Ω, See Figure 3	28.5	40		MHz
	Without feedback			41.6	50		
t _{pd}	I, I/O	O, I/O			12	20	ns
t _{pd}	CLK↑	Q			8	15	ns
t _{en}	OE	Q			10	20	ns
t _{dis}	OE↑	Q			8	20	ns
t _{en}	I, I/O	O, I/O			12	25	ns
t _{dis}	I, I/O	O, I/O		12	20	ns	

† All typical values are at V_{CC} = 5 V, T_A = 25°C.

‡ For I/O ports, the parameters I_{IH} and I_{IL} include the off-state output current.

§ Not more than one output should be shorted at a time, and the duration of the short-circuit should not exceed one second. Set V_O at 0.5 V to avoid test equipment ground degradation.

$$¶ f_{\max(\text{with feedback})} = \frac{1}{t_{\text{su}} + t_{\text{pd}}(\text{CLK to Q})}, \quad f_{\max(\text{without feedback})} = \frac{1}{t_{\text{w high}} + t_{\text{w low}}}$$

f_{max} does not apply for TIBPAL20L8.

programming information

Texas Instruments programmable logic devices can be programmed using widely available software and inexpensive device programmers.

Complete programming specifications, algorithms, and the latest information on hardware, software, and firmware are available upon request. Information on programmers capable of programming Texas Instruments programmable logic is also available, upon request, from the nearest TI field sales office, local authorized TI distributor, or by calling Texas Instruments at (214) 997-5666.

preload procedure for registered outputs (see Figure 1 and Notes 2 and 3)

The output registers can be preloaded to any desired state during device testing. This permits any state to be tested without having to step through the entire state-machine sequence. Each register is preloaded individually by following the steps given below.

- Step 1. With V_{CC} at 5 volts and Pin 1 at V_{IL} , raise Pin 13 to V_{IHH} .
- Step 2. Apply either V_{IL} or V_{IH} to the output corresponding to the register to be preloaded.
- Step 3. Pulse Pin 1, clocking in preload data.
- Step 4. Remove output voltage, then lower Pin 13 to V_{IL} . Preload can be verified by observing the voltage level at the output pin.

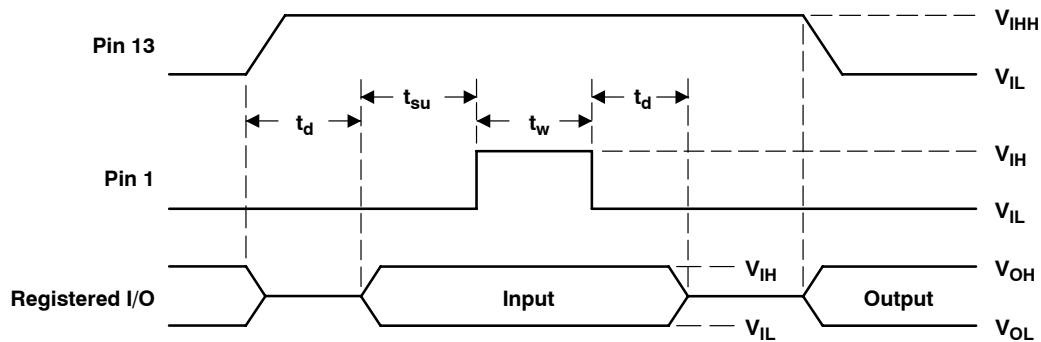


Figure 1. Preload Waveforms

NOTES: 2. Pin numbers shown are for JT, NT, and W packages only. If chip carrier socket adapter is not used, pin numbers must be changed accordingly.

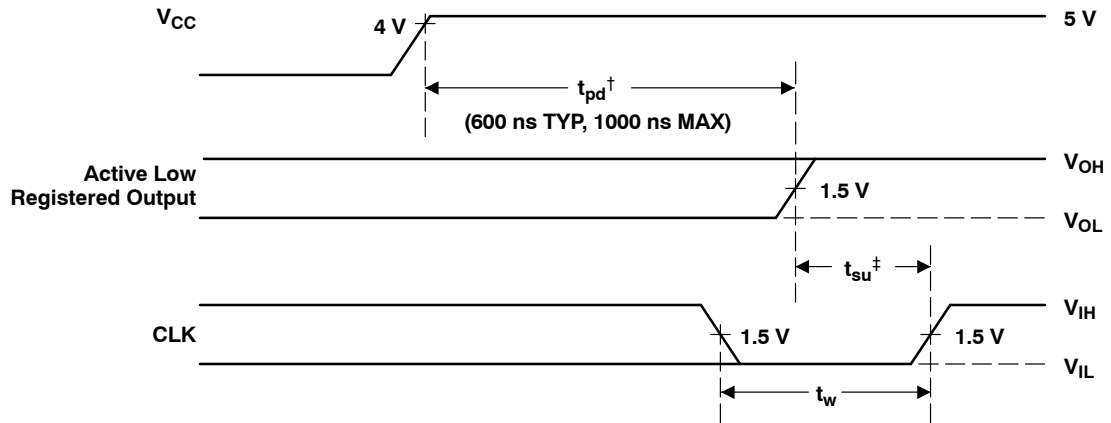
3. $t_d = t_{su} = t_h = 100 \text{ ns to } 1000 \text{ ns}$ $V_{IHH} = 10.25 \text{ V to } 10.75 \text{ v}$

TIBPAL20L8-15C, TIBPAL20R4-15C, TIBPAL20R6-15C, TIBPAL20R8-15C
TIBPAL20L8-20M, TIBPAL20R4-20M, TIBPAL20R6-20M, TIBPAL20R8-20M
HIGH-PERFORMANCE *IMPACT*™ PAL® CIRCUITS

SRPS021 D- D2920, JUNE 1986 - REVISED DECEMBER 2010

power-up reset (see Figure 2)

Following power up, all registers are reset to zero. This feature provides extra flexibility to the system designer and is especially valuable in simplifying state-machine initialization. To ensure a valid power-up reset, it is important that the rise of V_{CC} be monotonic. Following power-up reset, a low-to-high clock transition must not occur until all applicable input and feedback setup times are met.

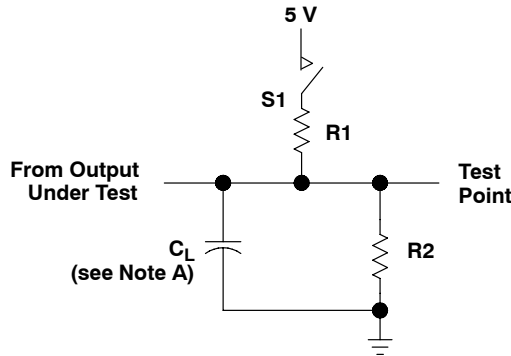


[†] This is the power-up reset time and applies to registered outputs only. The values shown are from characterization data.

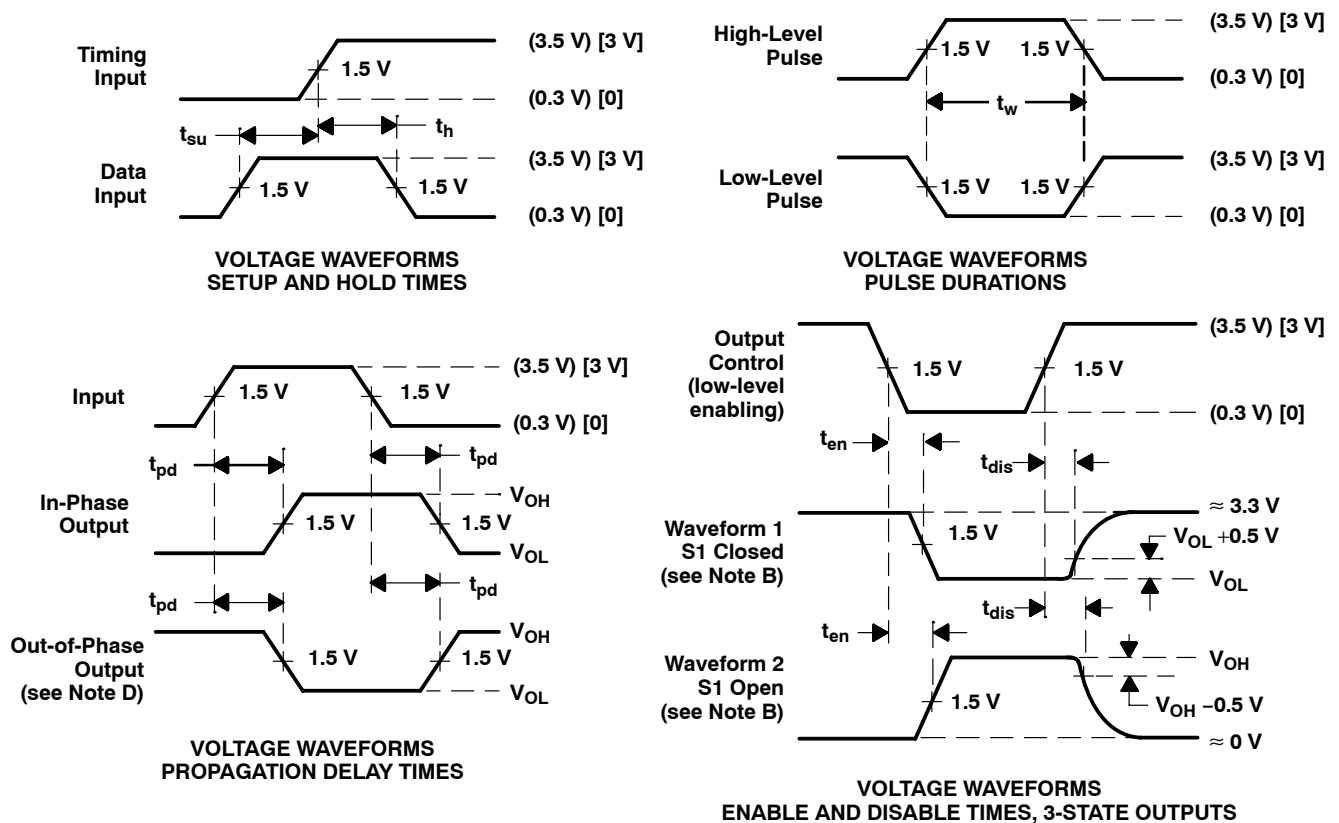
[‡] This is the setup time for input or feedback.

Figure 2. Power-Up Reset Waveforms

PARAMETER MEASUREMENT INFORMATION



LOAD CIRCUIT FOR 3-STATE OUTPUTS



- NOTES: A. C_L includes probe and jig capacitance and is 50 pF for t_{pd} and t_{en} , 5 pF for t_{dis} .
 B. Waveform 1 is for an output with internal conditions such that the output is low except when disabled by the output control. Waveform 2 is for an output with internal conditions such that the output is high except when disabled by the output control.
 C. All input pulses have the following characteristics: For C suffix, use the voltage levels indicated in parentheses (). $PRR \leq 1$ MHz, $t_r = t_f \leq 2$ ns, duty cycle = 50%. For M suffix, use the voltage levels indicated in brackets []. $PRR \leq 10$ MHz, t_r and $t_f \leq 2$ ns, duty cycle = 50%.
 D. When measuring propagation delay times of 3-state outputs, switch S1 is closed.
 E. Equivalent loads may be used for testing.

Figure 3. Load Circuit and Voltage Waveforms

TI North American Sales Offices

ALABAMA: Huntsville: (205) 837-7530
ARIZONA: Phoenix: (602) 995-1007
CALIFORNIA: Irvine: (714) 660-1200
 San Diego: (619) 278-9600
 Santa Clara: (408) 980-9000
 Woodland Hills: (818) 704-8100
COLORADO: Aurora: (303) 368-8000
CONNECTICUT: Wallingford: (203) 269-0074
FLORIDA: Altamonte Springs: (407) 260-2116
 Fort Lauderdale: (305) 973-8502
 Tampa: (813) 885-7588
GEORGIA: Norcross: (404) 662-7967
ILLINOIS: Arlington Heights: (708) 640-3000
INDIANA: Carmel: (317) 573-6400
 Fort Wayne: (219) 489-4697
KANSAS: Overland Park: (913) 451-4511
MARYLAND: Columbia: (410) 964-2003
MASSACHUSETTS: Waltham: (617) 895-9100
MICHIGAN: Farmington Hills: (313) 553-1581
MINNESOTA: Eden Prairie: (612) 828-9300
MISSOURI: St. Louis: (314) 821-8400
NEW JERSEY: Iselin: (908) 750-1050
NEW MEXICO: Albuquerque: (505) 345-2555
NEW YORK: East Syracuse: (315) 463-9291
 Fishkill: (914) 897-2900
 Melville: (516) 454-6600
 Pittsford: (716) 385-6770
NORTH CAROLINA: Charlotte: (704) 527-0930
 Raleigh: (919) 876-2725
OHIO: Beachwood: (216) 765-7258
 Beavercreek: (513) 427-6200
OREGON: Beaverton: (503) 643-6758
PENNSYLVANIA: Blue Bell: (215) 825-9500
PUERTO RICO: Hato Rey: (809) 753-8700
TEXAS: Austin: (512) 250-6769
 Dallas: (214) 917-1264
 Houston: (713) 778-6592
 Midland: (915) 561-7137
UTAH: Salt Lake City: (801) 466-8972
WISCONSIN: Waukesha: (414) 798-1001
CANADA: Nepean: (613) 726-1970
 Richmond Hill: (416) 884-9181
 St. Laurent: (514) 335-8392

TI Regional Technology Centers

CALIFORNIA: Irvine: (714) 660-8140
 Santa Clara: (408) 748-2222
GEORGIA: Norcross: (404) 662-7945
ILLINOIS: Arlington Heights: (708) 640-2909
INDIANA: Indianapolis: (317) 573-6400
MASSACHUSETTS: Waltham: (617) 895-9196
MEXICO: Mexico City: 491-70834
MINNESOTA: Minneapolis: (612) 828-9300
TEXAS: Dallas: (214) 917-3881
CANADA: Nepean: (613) 726-1970

Customer Response Center

TOLL FREE: (800) 336-5236
OUTSIDE USA: (214) 995-6611
 (8:00 a.m. – 5:00 p.m. CST)

TI Authorized North American Distributors

Alliance Electronics, Inc. (military product only)
 Almac/Arrow
 Anthem Electronics
 Arrow/Schweber
 Future Electronics (Canada)
 GRS Electronics Co., Inc.
 Hall-Mark Electronics
 Marshall Industries
 Newark Electronics
 Rochester Electronics, Inc.
 (obsolete product only) (508) 462-9332
 Wyle Laboratories
 Zeus Components

TI Distributors

ALABAMA: Arrow/Schweber (205) 837-6955; Hall-Mark (205) 837-8700; Marshall (205) 881-9235.
ARIZONA: Anthem (602) 966-6600; Arrow/Schweber (602) 437-0750; Hall-Mark (602) 431-0030; Marshall (602) 496-0290; Wyle (602) 437-2088.
CALIFORNIA: Los Angeles/Orange County: Anthem (818) 775-1333, (714) 768-4444; Arrow/Schweber (818) 380-9686, (714) 838-5422; Hall-Mark (818) 773-4500, (714) 727-6000; Marshall (818) 878-7000, (714) 458-5301; Wyle (818) 880-9000, (714) 863-9953; Zeus (714) 921-9000, (818) 889-3838;
 Sacramento: Anthem (916) 624-9744; Hall-Mark (916) 624-9781; Marshall (916) 635-9700; Wyle (916) 638-5282;
 San Diego: Anthem (619) 453-9005; Arrow/Schweber (619) 565-4800; Hall-Mark (619) 268-1201; Marshall (619) 578-9600; Wyle (619) 565-9171; Zeus (619) 277-9681.
 San Francisco Bay Area: Anthem (408) 453-1200; Arrow/Schweber (408) 441-9700, (510) 430-9477; Hall-Mark (408) 432-4000; Marshall (408) 942-4600; Wyle (408) 727-2500; Zeus (408) 629-4789.
COLORADO: Anthem (303) 790-4500; Arrow/Schweber (303) 799-0258; Hall-Mark (303) 790-1662; Marshall (303) 451-8383; Wyle (303) 457-9953.
CONNECTICUT: Anthem (203) 575-1575; Arrow/Schweber (203) 265-7741; Hall-Mark (203) 271-2844; Marshall (203) 265-3822.
FLORIDA: Fort Lauderdale: Arrow/Schweber (305) 429-8200; Hall-Mark (305) 971-9280; Marshall (305) 977-4880.
 Orlando: Arrow/Schweber (407) 333-9300; Hall-Mark (407) 830-5855; Marshall (407) 767-8585; Zeus (407) 788-9100.
 Tampa: Hall-Mark (813) 541-7440; Marshall (813) 573-1399.
GEORGIA: Arrow/Schweber (404) 497-1300; Hall-Mark (404) 623-4400; Marshall (404) 923-5750.
ILLINOIS: Anthem (708) 884-0200; Arrow/Schweber (708) 250-0500; Hall-Mark (312) 860-3800; Marshall (708) 490-0155; Newark (312) 784-5100.
INDIANA: Arrow/Schweber (317) 299-2071; Hall-Mark (317) 872-8875; Marshall (317) 297-0483.
IOWA: Arrow/Schweber (319) 395-7230.
KANSAS: Arrow/Schweber (913) 541-9542; Hall-Mark (913) 888-4747; Marshall (913) 492-3121.
MARYLAND: Anthem (301) 995-6640; Arrow/Schweber (301) 596-7800; Hall-Mark (301) 988-9800; Marshall (301) 622-1118; Zeus (301) 997-1118.
MASSACHUSETTS: Anthem (508) 657-5170; Arrow/Schweber (508) 658-0900; Hall-Mark (508) 667-0902; Marshall (508) 658-0810; Wyle (617) 272-7300; Zeus (617) 246-8200.

MICHIGAN: Detroit: Arrow/Schweber (313) 462-2290; Hall-Mark (313) 416-5800; Marshall (313) 525-5850; Newark (313) 967-0600.
MINNESOTA: Anthem (612) 944-5454; Arrow/Schweber (612) 941-5280; Hall-Mark (612) 881-2600; Marshall (612) 559-2211.
MISSOURI: Arrow/Schweber (314) 567-6888; Hall-Mark (314) 291-5350; Marshall (314) 291-4650.
NEW JERSEY: Anthem (201) 227-7960; Arrow/Schweber (201) 227-7880, (609) 596-8000; Hall-Mark (201) 515-3000, (609) 235-1900; Marshall (201) 882-0320, (609) 234-9100.
NEW MEXICO: Alliance (505) 292-3360.
NEW YORK: Long Island: Anthem (516) 864-6600; Arrow/Schweber (516) 231-1000; Hall-Mark (516) 737-0600; Marshall (516) 273-2424; Zeus (914) 937-7400.
Rochester: Arrow/Schweber (716) 427-0300; Hall-Mark (716) 425-3300; Marshall (716) 235-7620.
Syracuse: Marshall (607) 785-2345.
NORTH CAROLINA: Arrow/Schweber (919) 876-3132; Hall-Mark (919) 872-0712; Marshall (919) 878-9882.
OHIO: Cleveland: Arrow/Schweber (216) 248-3990; Hall-Mark (216) 349-4632; Marshall (216) 248-1788.
Columbus: Hall-Mark (614) 888-3313.
Dayton: Arrow/Schweber (513) 435-5563; Marshall (513) 898-4480; Zeus (513) 293-6162.
OKLAHOMA: Arrow/Schweber (918) 252-7537; Hall-Mark (918) 254-6110.
OREGON: Almac/Arrow (503) 629-8090; Anthem (503) 643-1114; Marshall (503) 644-5050; Wyle (503) 643-7900.
PENNSYLVANIA: Anthem (215) 443-5150; Arrow/Schweber (215) 928-1800; GRS (215) 922-7037; (609) 964-8560; Marshall (412) 788-0441.
TEXAS: Austin: Arrow/Schweber (512) 835-4180; Hall-Mark (512) 258-8848; Marshall (512) 837-1991; Wyle (512) 345-8853;
 Dallas: Anthem (214) 238-7100; Arrow/Schweber (214) 380-6464; Hall-Mark (214) 553-4300; Marshall (214) 233-5200; Wyle (214) 235-9953; Zeus (214) 783-7010;
 Houston: Arrow/Schweber (713) 530-4700; Hall-Mark (713) 781-6100; Marshall (713) 467-1666; Wyle (713) 879-9953.
UTAH: Anthem (801) 973-8555; Arrow/Schweber (801) 973-6913; Marshall (801) 973-2288; Wyle (801) 974-9953.
WASHINGTON: Almac/Arrow (206) 643-9992; Anthem (206) 483-1700; Marshall (206) 486-5747; Wyle (206) 881-1150.
WISCONSIN: Arrow/Schweber (414) 792-0150; Hall-Mark (414) 797-7844; Marshall (414) 797-8400.
CANADA: Calgary: Future (403) 235-5325;
 Edmonton: Future (403) 438-2858;
 Montreal: Arrow/Schweber (514) 421-7411; Future (514) 694-7710; Marshall (514) 694-8142
 Ottawa: Arrow/Schweber (613) 226-6903; Future (613) 820-8313.
 Quebec: Future (418) 897-6666.
 Toronto: Arrow/Schweber (416) 670-7769; Future (416) 612-9200; Marshall (416) 458-8046.
 Vancouver: Arrow/Schweber (604) 421-2333; Future (604) 294-1166.

TI Die Processors

Chip Supply (407) 298-7100
 Elmo Semiconductor (818) 768-7400
 Minco Technology Labs (512) 834-2022



D0892

PACKAGING INFORMATION

Orderable Device	Status ⁽¹⁾	Package Type	Package Drawing	Pins	Package Qty	Eco Plan ⁽²⁾	Lead/ Ball Finish	MSL Peak Temp ⁽³⁾	Samples (Requires Login)
5962-87671013A	ACTIVE	LCCC	FD	28	1	TBD	POST-PLATE	N / A for Pkg Type	Purchase Samples
5962-8767101KA	ACTIVE	CFP	W	24	1	TBD	A42	N / A for Pkg Type	Purchase Samples
5962-8767101LA	ACTIVE	CDIP	JT	24	1	TBD	A42	N / A for Pkg Type	Purchase Samples
5962-87671023A	ACTIVE	LCCC	FD	28	1	TBD	POST-PLATE	N / A for Pkg Type	Purchase Samples
5962-8767102KA	ACTIVE	CFP	W	24	1	TBD	A42	N / A for Pkg Type	Purchase Samples
5962-8767102LA	ACTIVE	CDIP	JT	24	1	TBD	A42	N / A for Pkg Type	Purchase Samples
5962-87671033A	ACTIVE	LCCC	FD	28	1	TBD	POST-PLATE	N / A for Pkg Type	Purchase Samples
5962-8767103KA	ACTIVE	CFP	W	24	1	TBD	A42	N / A for Pkg Type	Purchase Samples
5962-8767103LA	ACTIVE	CDIP	JT	24	1	TBD	A42	N / A for Pkg Type	Purchase Samples
5962-87671043A	ACTIVE	LCCC	FD	28	1	TBD	POST-PLATE	N / A for Pkg Type	Purchase Samples
5962-8767104KA	ACTIVE	CFP	W	24	1	TBD	A42	N / A for Pkg Type	Purchase Samples
5962-8767104LA	ACTIVE	CDIP	JT	24	1	TBD	A42	N / A for Pkg Type	Purchase Samples
8412901LA	ACTIVE	CDIP	JT	24	1	TBD	A42	N / A for Pkg Type	Purchase Samples
8412901XA	ACTIVE	LCCC	FK	28	1	TBD	POST-PLATE	N / A for Pkg Type	Purchase Samples
8412902KA	ACTIVE	CFP	W	24	1	TBD	A42	N / A for Pkg Type	Purchase Samples
8412902LA	ACTIVE	CDIP	JT	24	1	TBD	A42	N / A for Pkg Type	Purchase Samples
8412902XA	ACTIVE	LCCC	FK	28	1	TBD	POST-PLATE	N / A for Pkg Type	Purchase Samples
8412903KA	ACTIVE	CFP	W	24	1	TBD	A42	N / A for Pkg Type	Purchase Samples
8412903LA	ACTIVE	CDIP	JT	24	1	TBD	A42	N / A for Pkg Type	Purchase Samples
8412903XA	ACTIVE	LCCC	FK	28	1	TBD	POST-PLATE	N / A for Pkg Type	Purchase Samples
8412904KA	ACTIVE	CFP	W	24	1	TBD	A42	N / A for Pkg Type	Purchase Samples
8412904LA	ACTIVE	CDIP	JT	24	1	TBD	A42	N / A for Pkg Type	Purchase Samples
8412904XA	ACTIVE	LCCC	FK	28	1	TBD	POST-PLATE	N / A for Pkg Type	Purchase Samples
JM38510/50501BLA	ACTIVE	CDIP	JT	24	1	TBD	A42	N / A for Pkg Type	Purchase Samples
JM38510/50502BLA	ACTIVE	CDIP	JT	24	1	TBD	A42	N / A for Pkg Type	Purchase Samples
JM38510/50503BLA	ACTIVE	CDIP	JT	24	1	TBD	A42	N / A for Pkg Type	Purchase Samples
JM38510/50504BLA	ACTIVE	CDIP	JT	24	1	TBD	A42	N / A for Pkg Type	Purchase Samples
TIBPAL20L8-15CFN	ACTIVE	PLCC	FN	28	37	TBD	CU	Level-1-220C-UNLIM	Purchase Samples
TIBPAL20L8-15CNT	ACTIVE	PDIP	NT	24	15	Pb-Free (RoHS)	CU NIPDAU	N / A for Pkg Type	Purchase Samples
TIBPAL20L8-20MFKB	ACTIVE	LCCC	FK	28	1	TBD	POST-PLATE	N / A for Pkg Type	Purchase Samples

Orderable Device	Status ⁽¹⁾	Package Type	Package Drawing	Pins	Package Qty	Eco Plan ⁽²⁾	Lead/ Ball Finish	MSL Peak Temp ⁽³⁾	Samples (Requires Login)
TIBPAL20L8-20MJT	ACTIVE	CDIP	JT	24	1	TBD	A42	N / A for Pkg Type	Purchase Samples
TIBPAL20L8-20MJTB	ACTIVE	CDIP	JT	24	1	TBD	A42	N / A for Pkg Type	Purchase Samples
TIBPAL20L8-20MWB	ACTIVE	CFP	W	24	1	TBD	A42	N / A for Pkg Type	Purchase Samples
TIBPAL20R4-15CFN	ACTIVE	PLCC	FN	28	37	TBD	CU	Level-1-220C-UNLIM	Purchase Samples
TIBPAL20R4-15CNT	ACTIVE	PDIP	NT	24	15	Pb-Free (RoHS)	CU NIPDAU	N / A for Pkg Type	Purchase Samples
TIBPAL20R4-20MFKB	ACTIVE	LCCC	FK	28	1	TBD	POST-PLATE	N / A for Pkg Type	Purchase Samples
TIBPAL20R4-20MJT	ACTIVE	CDIP	JT	24	1	TBD	A42	N / A for Pkg Type	Purchase Samples
TIBPAL20R4-20MJTB	ACTIVE	CDIP	JT	24	1	TBD	A42	N / A for Pkg Type	Purchase Samples
TIBPAL20R4-20MWB	ACTIVE	CFP	W	24	1	TBD	A42	N / A for Pkg Type	Purchase Samples
TIBPAL20R6-15CFN	ACTIVE	PLCC	FN	28	37	TBD	CU	Level-1-220C-UNLIM	Purchase Samples
TIBPAL20R6-15CNT	ACTIVE	PDIP	NT	24	15	Pb-Free (RoHS)	CU NIPDAU	N / A for Pkg Type	Purchase Samples
TIBPAL20R6-20MFKB	ACTIVE	LCCC	FK	28	1	TBD	POST-PLATE	N / A for Pkg Type	Purchase Samples
TIBPAL20R6-20MJTB	ACTIVE	CDIP	JT	24	1	TBD	A42	N / A for Pkg Type	Purchase Samples
TIBPAL20R6-20MWB	ACTIVE	CFP	W	24	1	TBD	A42	N / A for Pkg Type	Purchase Samples
TIBPAL20R8-15CFN	ACTIVE	PLCC	FN	28	37	TBD	CU	Level-1-220C-UNLIM	Purchase Samples
TIBPAL20R8-15CNT	ACTIVE	PDIP	NT	24	15	Pb-Free (RoHS)	CU NIPDAU	N / A for Pkg Type	Purchase Samples
TIBPAL20R8-20MFKB	ACTIVE	LCCC	FK	28	1	TBD	POST-PLATE	N / A for Pkg Type	Purchase Samples
TIBPAL20R8-20MJTB	ACTIVE	CDIP	JT	24	1	TBD	A42	N / A for Pkg Type	Purchase Samples
TIBPAL20R8-20MWB	ACTIVE	CFP	W	24	1	TBD	A42	N / A for Pkg Type	Purchase Samples

⁽¹⁾ The marketing status values are defined as follows:

ACTIVE: Product device recommended for new designs.

LIFEBUY: TI has announced that the device will be discontinued, and a lifetime-buy period is in effect.

NRND: Not recommended for new designs. Device is in production to support existing customers, but TI does not recommend using this part in a new design.

PREVIEW: Device has been announced but is not in production. Samples may or may not be available.

OBSOLETE: TI has discontinued the production of the device.

⁽²⁾ Eco Plan - The planned eco-friendly classification: Pb-Free (RoHS), Pb-Free (RoHS Exempt), or Green (RoHS & no Sb/Br) - please check <http://www.ti.com/productcontent> for the latest availability information and additional product content details.

TBD: The Pb-Free/Green conversion plan has not been defined.

Pb-Free (RoHS): TI's terms "Lead-Free" or "Pb-Free" mean semiconductor products that are compatible with the current RoHS requirements for all 6 substances, including the requirement that lead not exceed 0.1% by weight in homogeneous materials. Where designed to be soldered at high temperatures, TI Pb-Free products are suitable for use in specified lead-free processes.

Pb-Free (RoHS Exempt): This component has a RoHS exemption for either 1) lead-based flip-chip solder bumps used between the die and package, or 2) lead-based die adhesive used between the die and leadframe. The component is otherwise considered Pb-Free (RoHS compatible) as defined above.

Green (RoHS & no Sb/Br): TI defines "Green" to mean Pb-Free (RoHS compatible), and free of Bromine (Br) and Antimony (Sb) based flame retardants (Br or Sb do not exceed 0.1% by weight in homogeneous material)

⁽³⁾ MSL, Peak Temp. -- The Moisture Sensitivity Level rating according to the JEDEC industry standard classifications, and peak solder temperature.

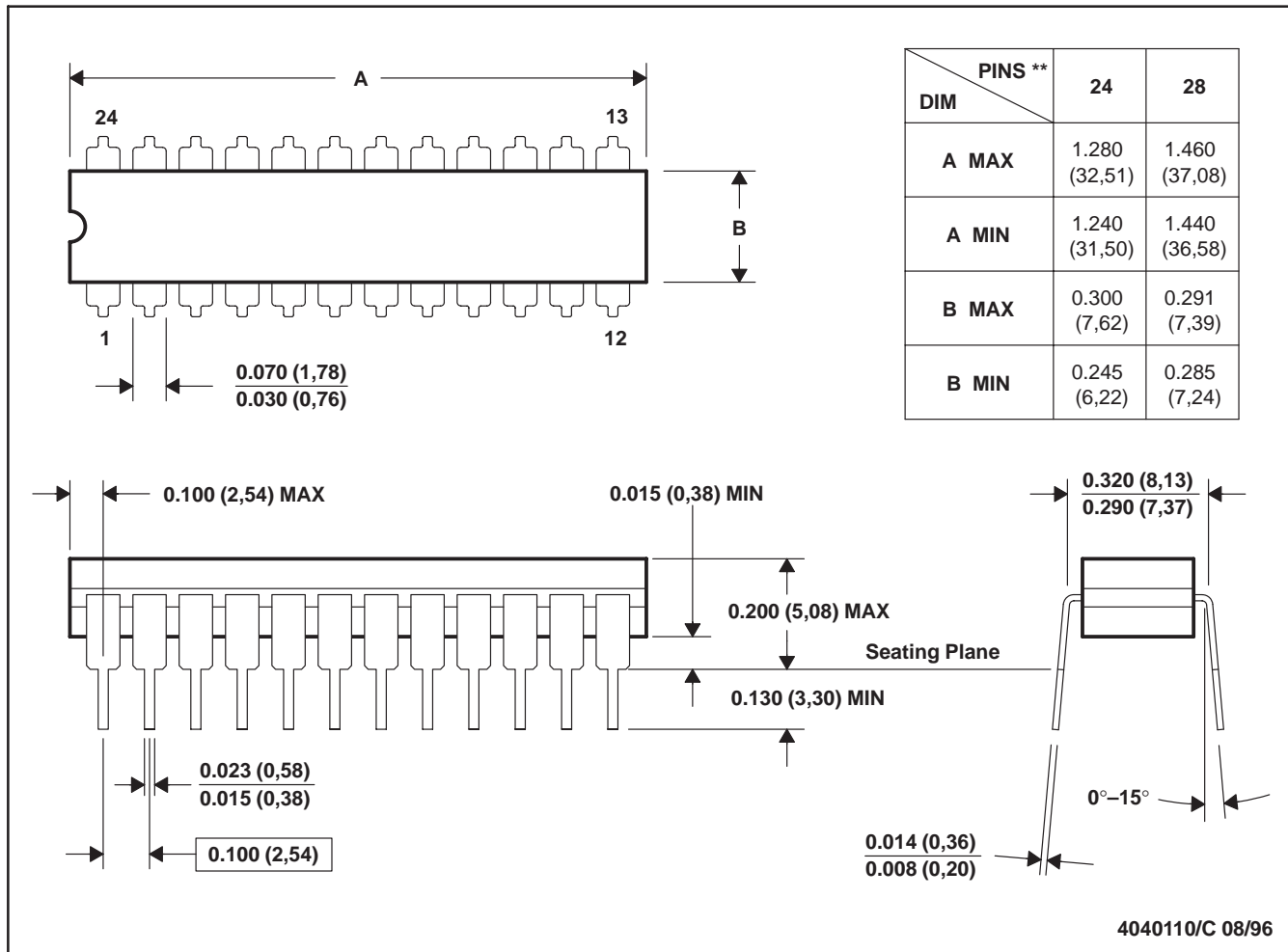
Important Information and Disclaimer: The information provided on this page represents TI's knowledge and belief as of the date that it is provided. TI bases its knowledge and belief on information provided by third parties, and makes no representation or warranty as to the accuracy of such information. Efforts are underway to better integrate information from third parties. TI has taken and continues to take reasonable steps to provide representative and accurate information but may not have conducted destructive testing or chemical analysis on incoming materials and chemicals. TI and TI suppliers consider certain information to be proprietary, and thus CAS numbers and other limited information may not be available for release.

In no event shall TI's liability arising out of such information exceed the total purchase price of the TI part(s) at issue in this document sold by TI to Customer on an annual basis.

JT (R-GDIP-T**)

CERAMIC DUAL-IN-LINE

24 LEADS SHOWN

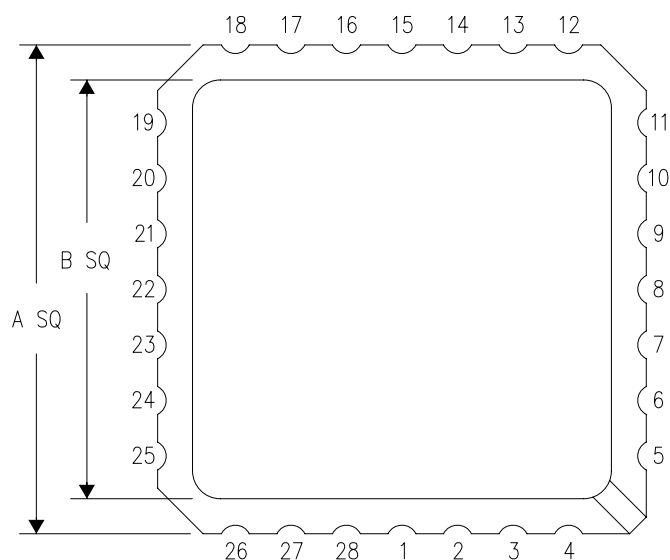


- NOTES: A. All linear dimensions are in inches (millimeters).
 B. This drawing is subject to change without notice.
 C. This package can be hermetically sealed with a ceramic lid using glass frit.
 D. Index point is provided on cap for terminal identification.
 E. Falls within MIL STD 1835 GDIP3-T24, GDIP4-T28, and JEDEC MO-058 AA, MO-058 AB

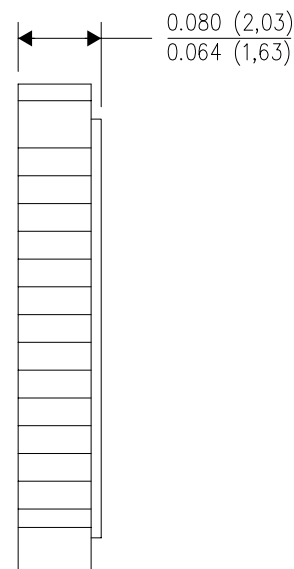
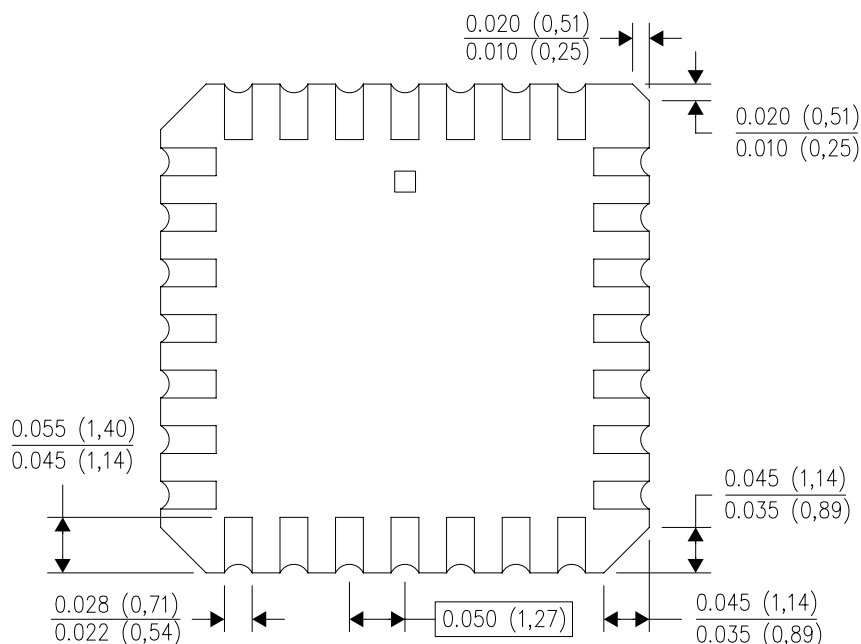
FK (S-CQCC-N**)

LEADLESS CERAMIC CHIP CARRIER

28 TERMINAL SHOWN



NO. OF TERMINALS **	A		B	
	MIN	MAX	MIN	MAX
20	0.342 (8,69)	0.358 (9,09)	0.307 (7,80)	0.358 (9,09)
28	0.442 (11,23)	0.458 (11,63)	0.406 (10,31)	0.458 (11,63)
44	0.640 (16,26)	0.660 (16,76)	0.495 (12,58)	0.560 (14,22)
52	0.740 (18,78)	0.761 (19,32)	0.495 (12,58)	0.560 (14,22)
68	0.938 (23,83)	0.962 (24,43)	0.850 (21,6)	0.858 (21,8)
84	1.141 (28,99)	1.165 (29,59)	1.047 (26,6)	1.063 (27,0)



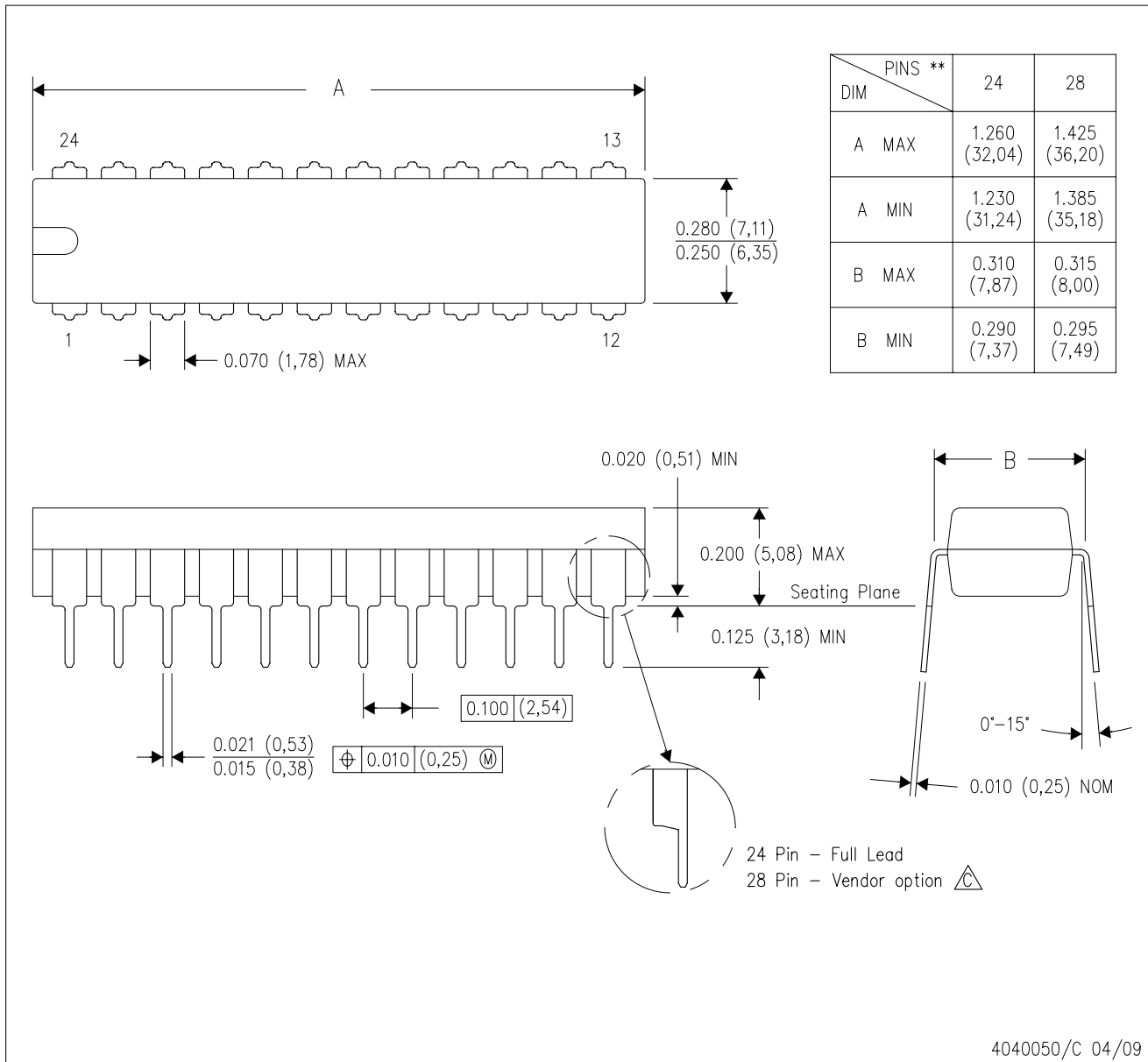
4040140/D 01/11


- NOTES:
- A. All linear dimensions are in inches (millimeters).
 - B. This drawing is subject to change without notice.
 - C. This package can be hermetically sealed with a metal lid.
 - D. Falls within JEDEC MS-004

MECHANICAL DATA

NT (R-PDIP-T**) 24 PINS SHOWN

PLASTIC DUAL-IN-LINE PACKAGE

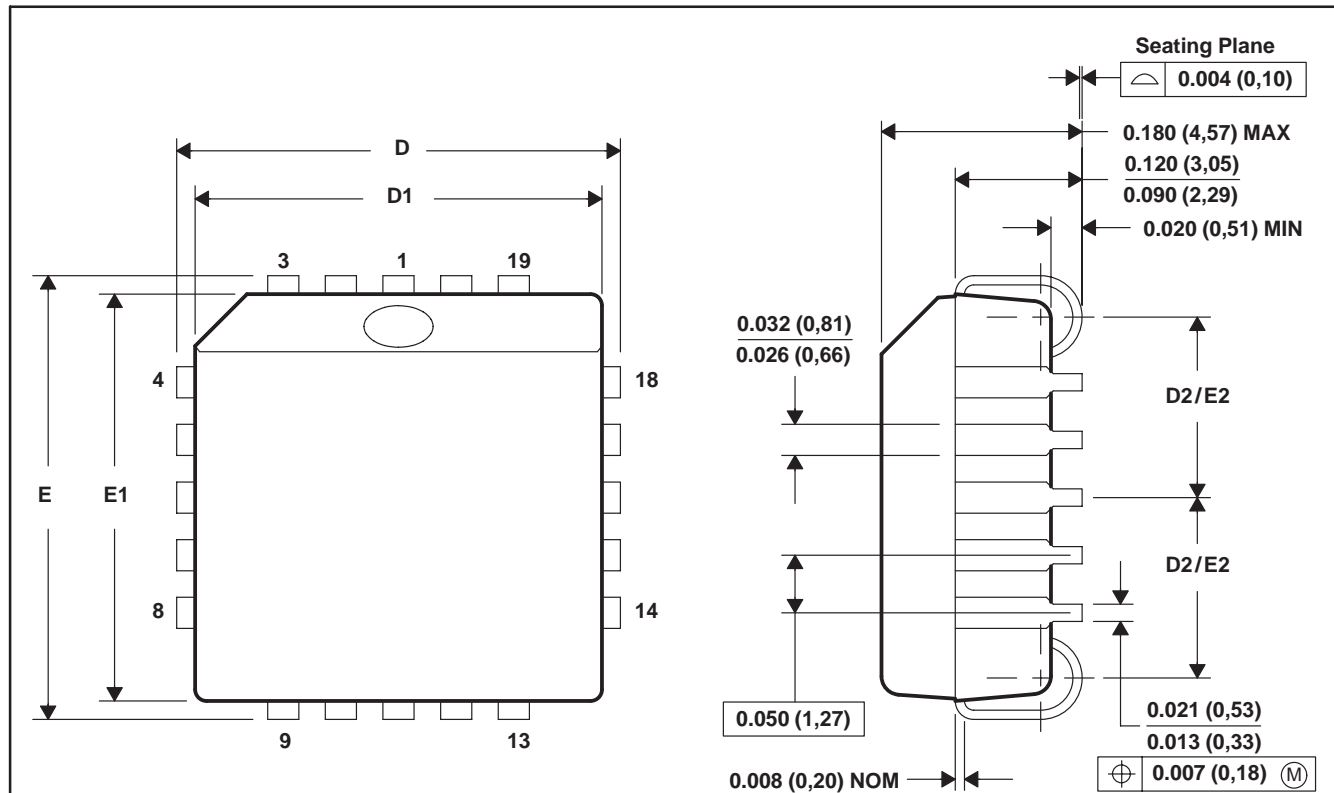


- NOTES:
- A. All linear dimensions are in millimeters. Dimensioning and tolerancing per ASME Y14.5M-1994.
 - B. This drawing is subject to change without notice.
 -  The 28 pin end lead shoulder width is a vendor option, either half or full width.

FN (S-PQCC-J**)

PLASTIC J-LEADED CHIP CARRIER

20 PIN SHOWN



NO. OF PINS **	D/E		D1/E1		D2/E2	
	MIN	MAX	MIN	MAX	MIN	MAX
20	0.385 (9,78)	0.395 (10,03)	0.350 (8,89)	0.356 (9,04)	0.141 (3,58)	0.169 (4,29)
28	0.485 (12,32)	0.495 (12,57)	0.450 (11,43)	0.456 (11,58)	0.191 (4,85)	0.219 (5,56)
44	0.685 (17,40)	0.695 (17,65)	0.650 (16,51)	0.656 (16,66)	0.291 (7,39)	0.319 (8,10)
52	0.785 (19,94)	0.795 (20,19)	0.750 (19,05)	0.756 (19,20)	0.341 (8,66)	0.369 (9,37)
68	0.985 (25,02)	0.995 (25,27)	0.950 (24,13)	0.958 (24,33)	0.441 (11,20)	0.469 (11,91)
84	1.185 (30,10)	1.195 (30,35)	1.150 (29,21)	1.158 (29,41)	0.541 (13,74)	0.569 (14,45)

4040005/B 03/95

- NOTES: A. All linear dimensions are in inches (millimeters).
 B. This drawing is subject to change without notice.
 C. Falls within JEDEC MS-018

IMPORTANT NOTICE

Texas Instruments Incorporated and its subsidiaries (TI) reserve the right to make corrections, modifications, enhancements, improvements, and other changes to its products and services at any time and to discontinue any product or service without notice. Customers should obtain the latest relevant information before placing orders and should verify that such information is current and complete. All products are sold subject to TI's terms and conditions of sale supplied at the time of order acknowledgment.

TI warrants performance of its hardware products to the specifications applicable at the time of sale in accordance with TI's standard warranty. Testing and other quality control techniques are used to the extent TI deems necessary to support this warranty. Except where mandated by government requirements, testing of all parameters of each product is not necessarily performed.

TI assumes no liability for applications assistance or customer product design. Customers are responsible for their products and applications using TI components. To minimize the risks associated with customer products and applications, customers should provide adequate design and operating safeguards.

TI does not warrant or represent that any license, either express or implied, is granted under any TI patent right, copyright, mask work right, or other TI intellectual property right relating to any combination, machine, or process in which TI products or services are used. Information published by TI regarding third-party products or services does not constitute a license from TI to use such products or services or a warranty or endorsement thereof. Use of such information may require a license from a third party under the patents or other intellectual property of the third party, or a license from TI under the patents or other intellectual property of TI.

Reproduction of TI information in TI data books or data sheets is permissible only if reproduction is without alteration and is accompanied by all associated warranties, conditions, limitations, and notices. Reproduction of this information with alteration is an unfair and deceptive business practice. TI is not responsible or liable for such altered documentation. Information of third parties may be subject to additional restrictions.

Resale of TI products or services with statements different from or beyond the parameters stated by TI for that product or service voids all express and any implied warranties for the associated TI product or service and is an unfair and deceptive business practice. TI is not responsible or liable for any such statements.

TI products are not authorized for use in safety-critical applications (such as life support) where a failure of the TI product would reasonably be expected to cause severe personal injury or death, unless officers of the parties have executed an agreement specifically governing such use. Buyers represent that they have all necessary expertise in the safety and regulatory ramifications of their applications, and acknowledge and agree that they are solely responsible for all legal, regulatory and safety-related requirements concerning their products and any use of TI products in such safety-critical applications, notwithstanding any applications-related information or support that may be provided by TI. Further, Buyers must fully indemnify TI and its representatives against any damages arising out of the use of TI products in such safety-critical applications.

TI products are neither designed nor intended for use in military/aerospace applications or environments unless the TI products are specifically designated by TI as military-grade or "enhanced plastic." Only products designated by TI as military-grade meet military specifications. Buyers acknowledge and agree that any such use of TI products which TI has not designated as military-grade is solely at the Buyer's risk, and that they are solely responsible for compliance with all legal and regulatory requirements in connection with such use.

TI products are neither designed nor intended for use in automotive applications or environments unless the specific TI products are designated by TI as compliant with ISO/TS 16949 requirements. Buyers acknowledge and agree that, if they use any non-designated products in automotive applications, TI will not be responsible for any failure to meet such requirements.

Following are URLs where you can obtain information on other Texas Instruments products and application solutions:

Products

Audio	www.ti.com/audio
Amplifiers	amplifier.ti.com
Data Converters	dataconverter.ti.com
DLP® Products	www.dlp.com
DSP	dsp.ti.com
Clocks and Timers	www.ti.com/clocks
Interface	interface.ti.com
Logic	logic.ti.com
Power Mgmt	power.ti.com
Microcontrollers	microcontroller.ti.com
RFID	www.ti-rfid.com
RF/IF and ZigBee® Solutions	www.ti.com/lprf

Applications

Communications and Telecom	www.ti.com/communications
Computers and Peripherals	www.ti.com/computers
Consumer Electronics	www.ti.com/consumer-apps
Energy and Lighting	www.ti.com/energy
Industrial	www.ti.com/industrial
Medical	www.ti.com/medical
Security	www.ti.com/security
Space, Avionics and Defense	www.ti.com/space-avionics-defense
Transportation and Automotive	www.ti.com/automotive
Video and Imaging	www.ti.com/video
Wireless	www.ti.com/wireless-apps

TI E2E Community Home Page

e2e.ti.com

Mailing Address: Texas Instruments, Post Office Box 655303, Dallas, Texas 75265
Copyright © 2011, Texas Instruments Incorporated

www.BDTIC.com/TI