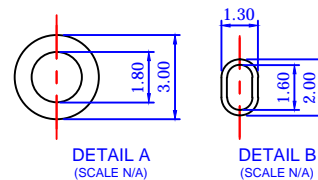
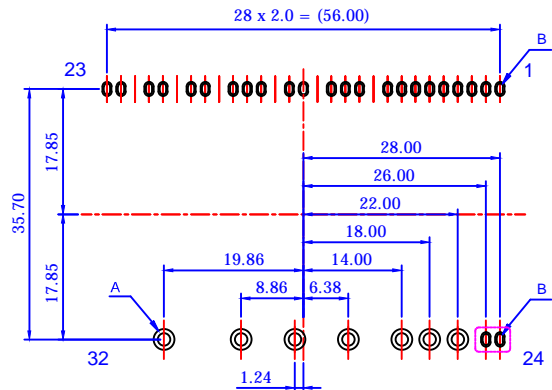
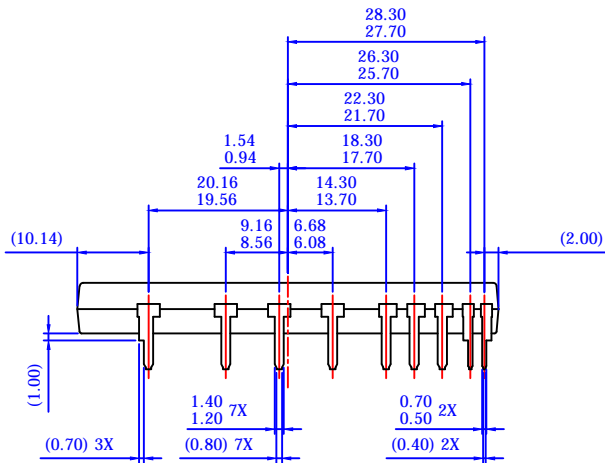
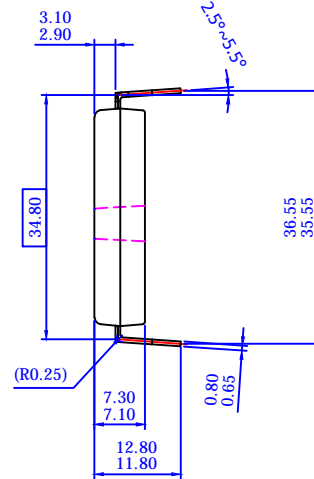
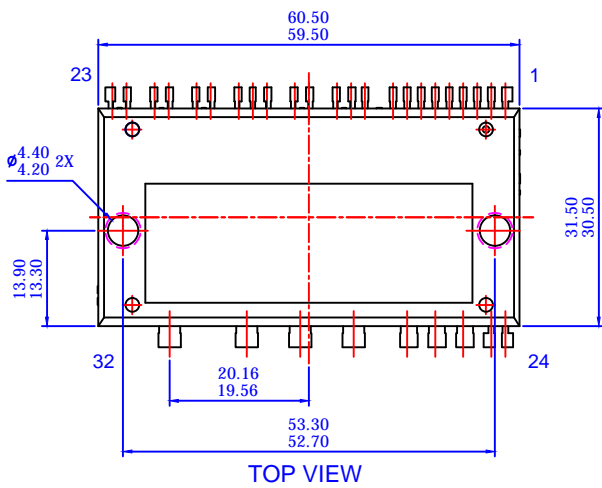
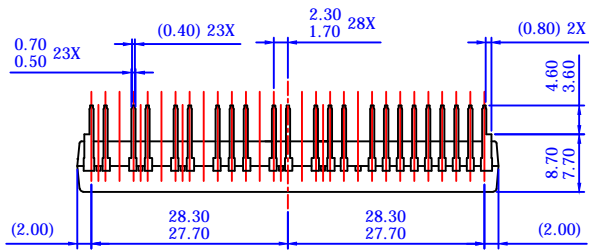


REVISIONS			
NBR	DESCRIPTION	DATE	BY/SITE
1	RELEASED TO DCC	16SEP2010	KN LEE/FSBK
2	ADD RECOMMENDED LAND PATTERN	28SEP2012	BS WON/FSBK



LAND PATTERN RECOMMENDATIONS

- NOTES: UNLESS OTHERWISE SPECIFIED  
A) THIS PACKAGE DOES NOT COMPLY TO ANY CURRENT PACKAGING STANDARD  
B) ALL DIMENSIONS ARE IN MILLIMETERS.  
C) DIMENSIONS ARE EXCLUSIVE OF BURRS, MOLD FLASH, AND TIE BAR EXTRUSIONS.  
D) ( ) IS REFERENCE  
E) [ ] IS ASS'Y QUALITY  
F) DRAWING FILENAME: MOD32AAREV2.0

APPROVALS		DATE		32LD, PDD STD, CERAMIC DIP TYPE	SCALE: 1:1 SIZE: NA DRAWING NUMBER: MKT-MOD32AA FORMERLY: N/A	REV: 2.0 SHEET: 1 OF 1
DRAWN: BS WON		28SEP2012				
CHECKED: SW LIM		28SEP2012				
APPROVED: JS SON		28SEP2012				
HOWARD ALLEN						