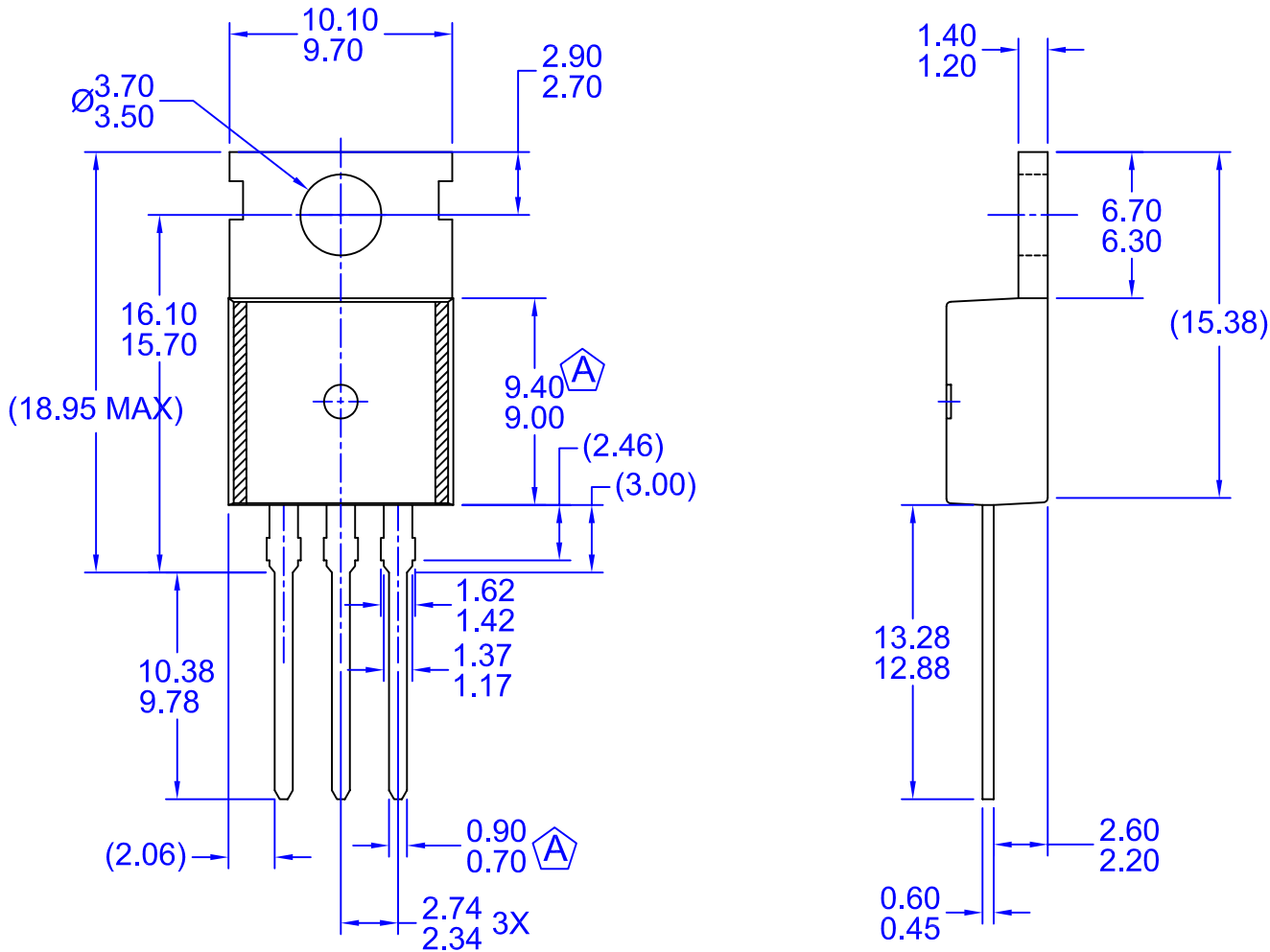
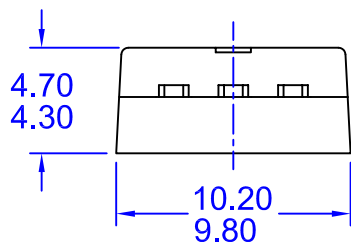


REVISIONS			
NBR	DESCRIPTION	DATE	BY/SITE
1	RECREATED DRAWING	6 MAY 09	H.ALLEN/FSME



NOTES:

- Ⓐ CONFORMS TO JEDEC TO-220 VARIATION AB EXCEPT WHERE NOTED
- B) ALL DIMENSIONS ARE IN MILLIMETERS.
- C) DIMENSIONS ARE EXCLUSIVE OF BURRS, MOLD FLASH, AND TIE BAR EXTRUSIONS.
- D) DRAWING FILE/REVISION: MKT-TO220Y03REV1



APPROVALS	DATE	
DRAWN: H.ALLEN	6 MAY 09	
CHECKED: JC LEE/BUCHÉON	6 MAY 09	
APPROVED:		
		TO220, MOLDED. 3LD, NON-JEDEC VARIATION AB
PROJECT:	SCALE:	SIZE:
	1:1	N/A
FORMERLY: N/A	WIN NUMBER:	REV
	MKT-TO220Y03	1
SHEET: 1 OF 1		