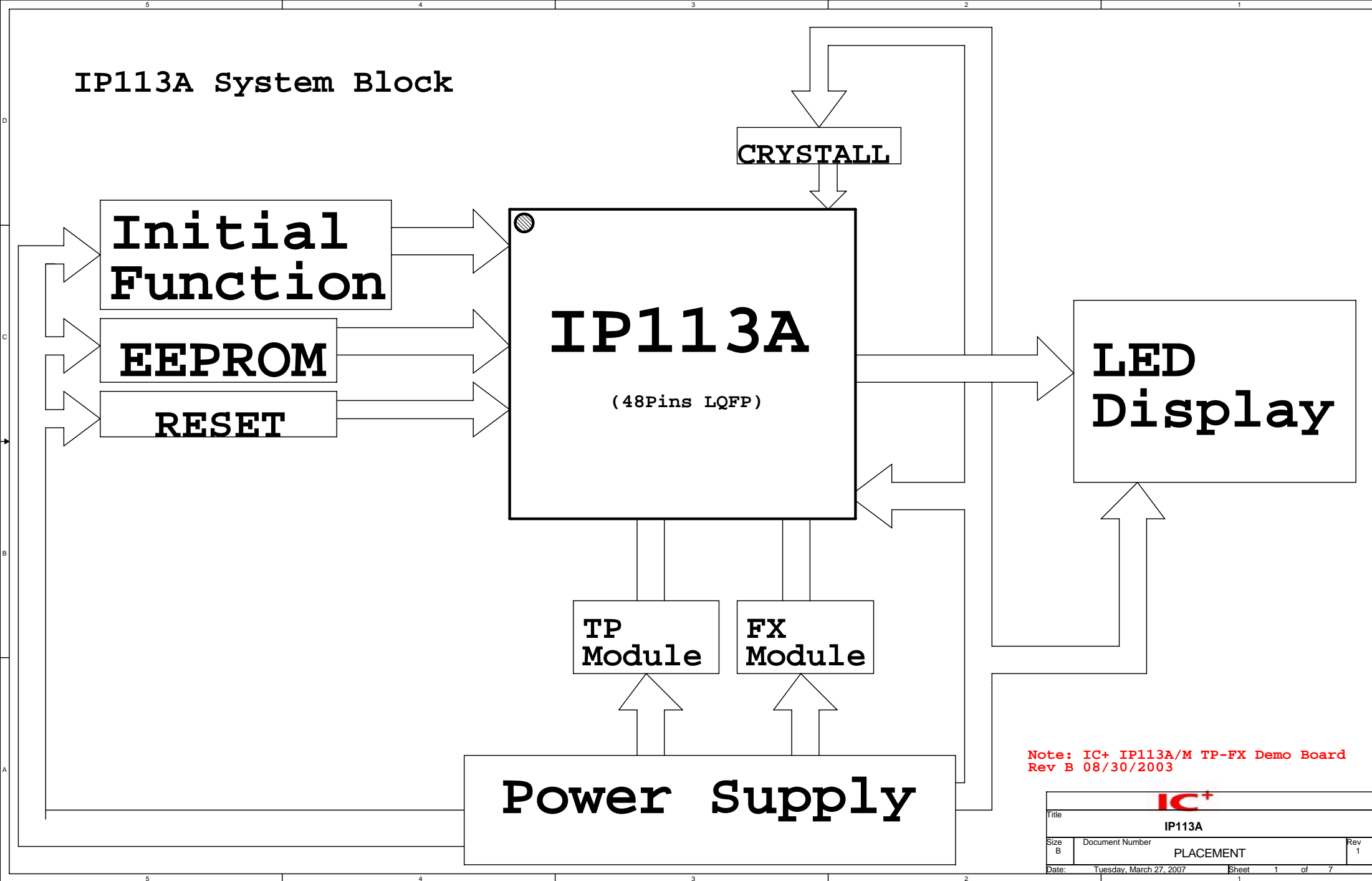
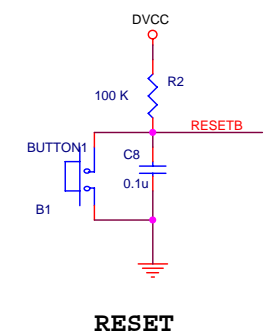
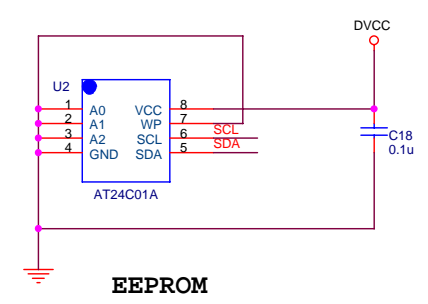
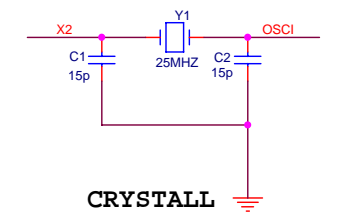
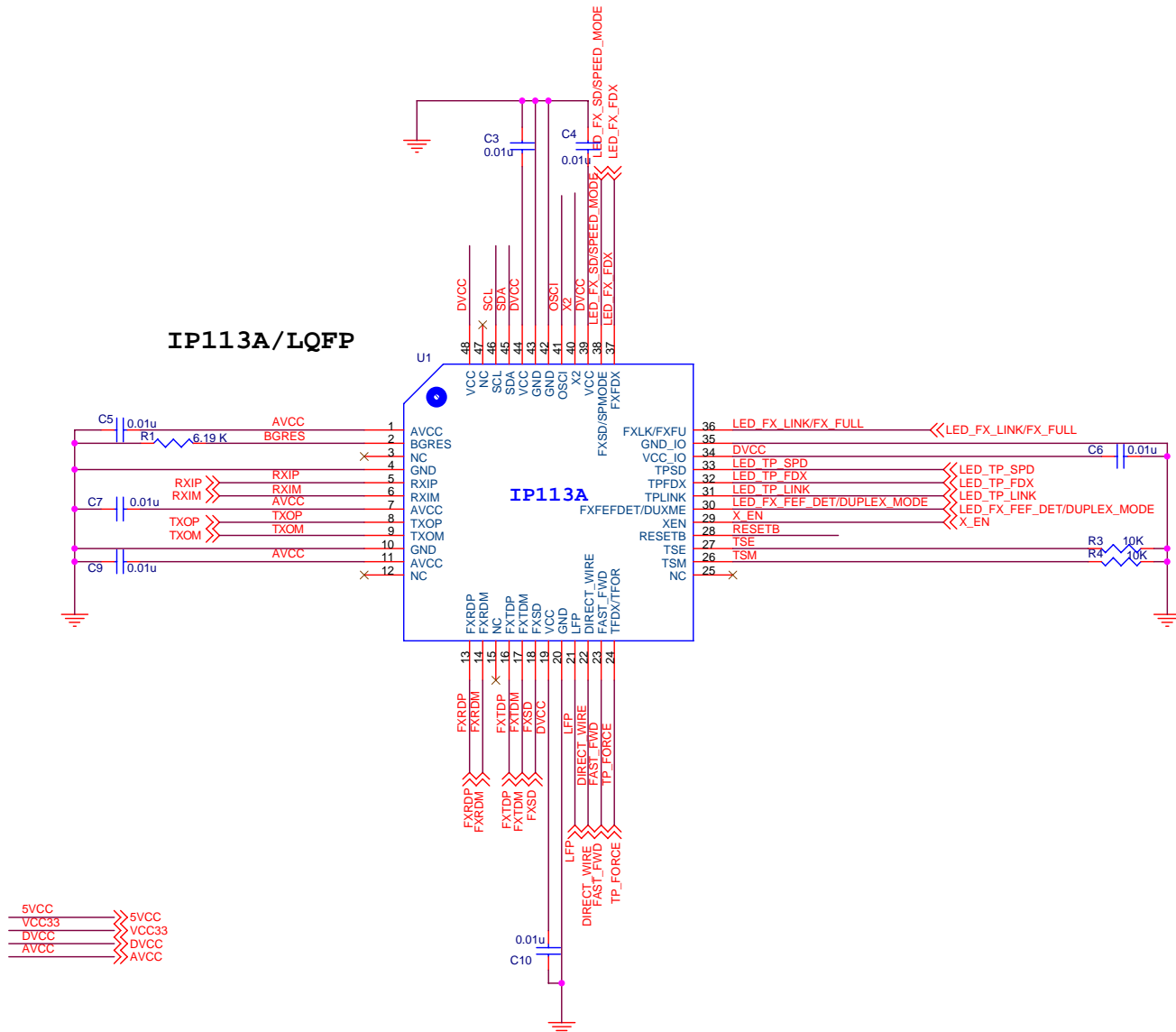


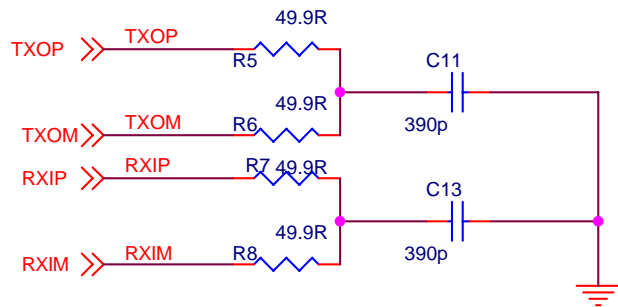
# IP113A System Block



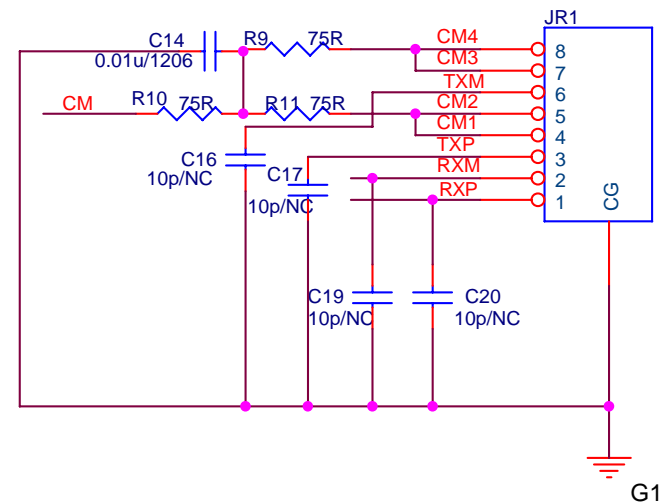


**IC+**

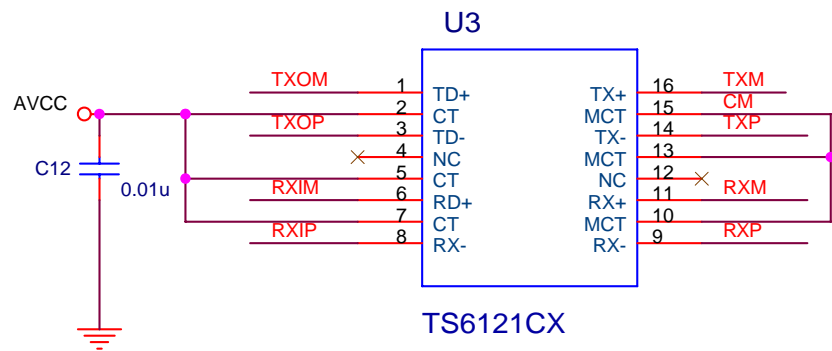
Title		
IP113A		
Size	Document Number	Rev
B	IP113A ; SMI ; RESET ; EEPROM ; CRYSTAL	1
Date:	Tuesday, March 27, 2007	Sheet 2 of 7



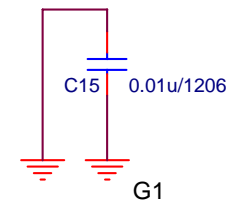
**TRANSFORMER**



**RJ45**

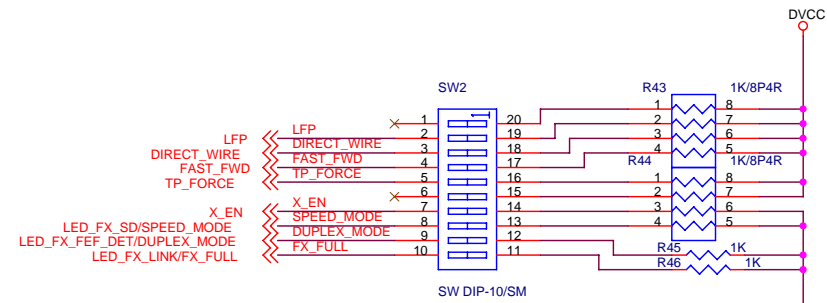
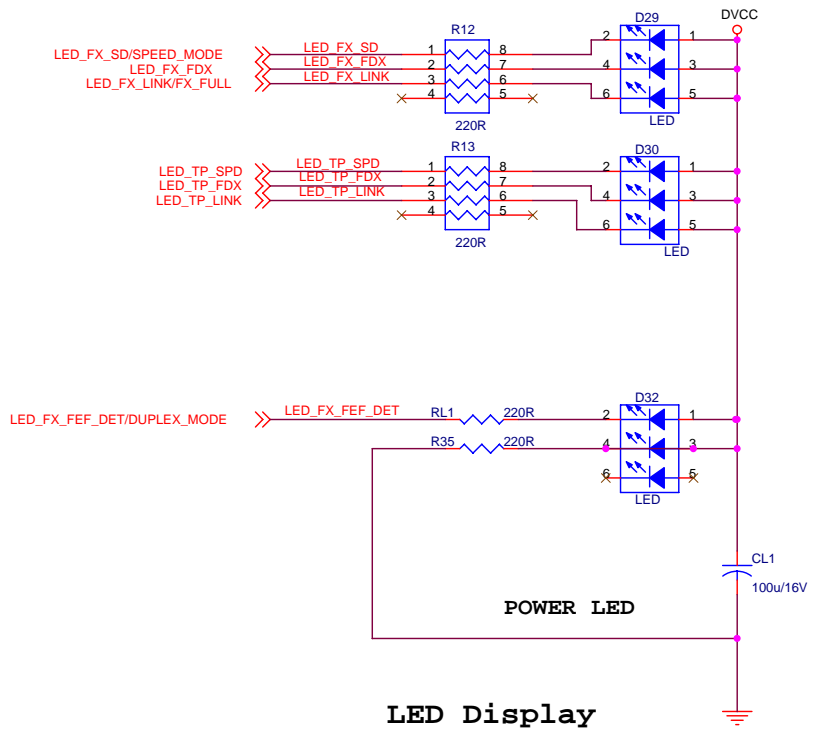


**TS6121CX**

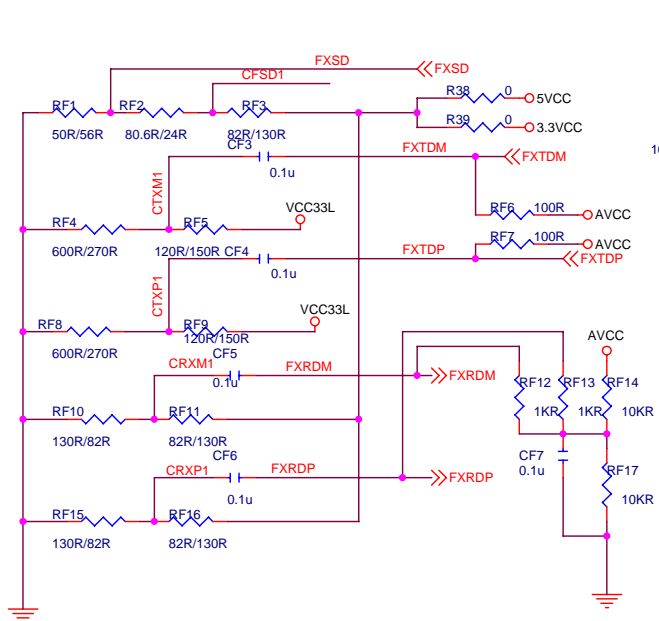


**IC<sup>+</sup>**

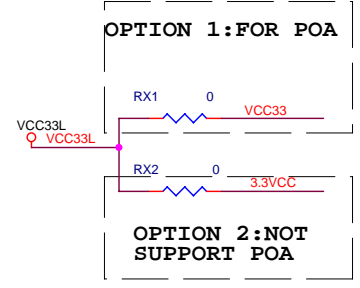
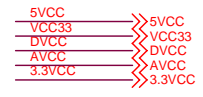
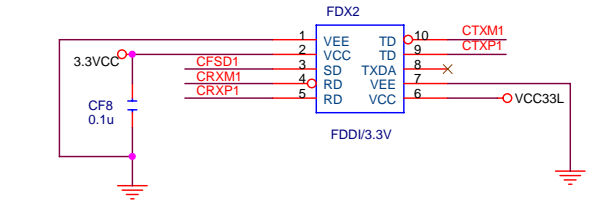
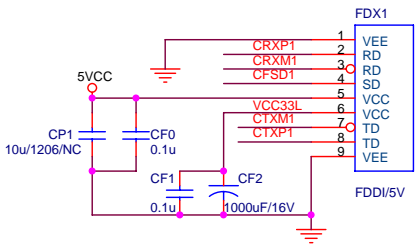
Title		
IP113A		
Size A	Document Number	Rev 1
Transformer ; RJ45		
Date: Tuesday, March 27, 2007	Sheet 3 of 7	



<b>IC<sup>+</sup></b>		
Title <b>IP113A</b>		
Size B	Document Number <b>LED ; SEETING FUNCTION</b>	Rev 1
Date:	Tuesday, March 27, 2007	Sheet 4 of 7

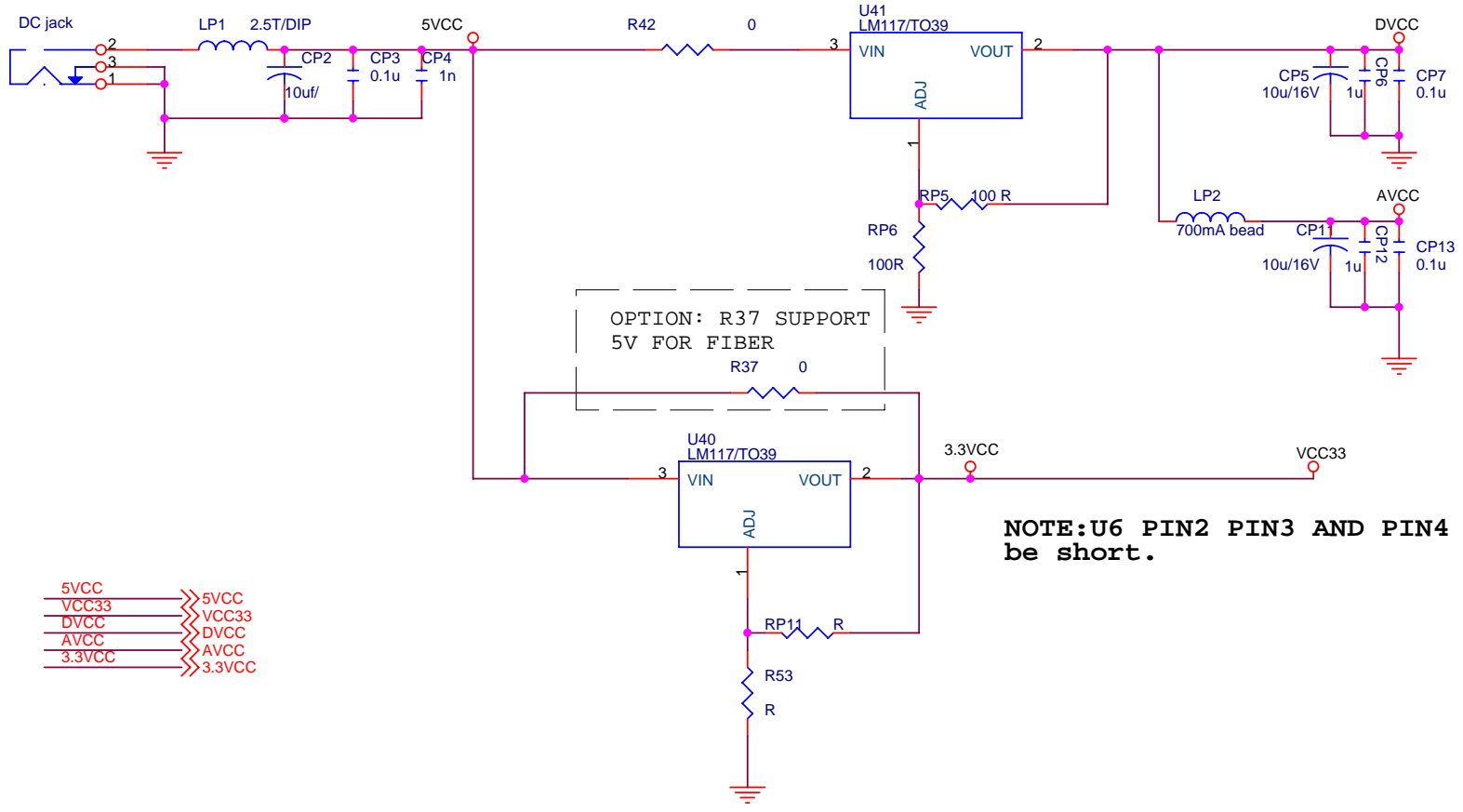


NOTE: Above register (5 V FIBER REGISTER / 3.3V FIBER REGISTER)



<b>IC+</b>		
Title <b>IP113M</b>		
Size B	Document Number <b>FX_FIBER</b>	Rev 1
Date:	Tuesday, March 27, 2007	Sheet 5 of 7

NOTE1: 1.SUPPORT 3.3 V : ADD RP11,R53,U40 REMOVE R37  
 2.SUPPORT 5 V : ADD R37 ; REMOVE RP11 ,R53 ,U40



NOTE:U6 PIN2 PIN3 AND PIN4 must be short.

<b>IC+</b>		
Title <b>IP113A</b>		
Size Custom	Document Number <b>POWER</b>	Rev 1
Date: Tuesday, March 27, 2007	Sheet 6	of 7