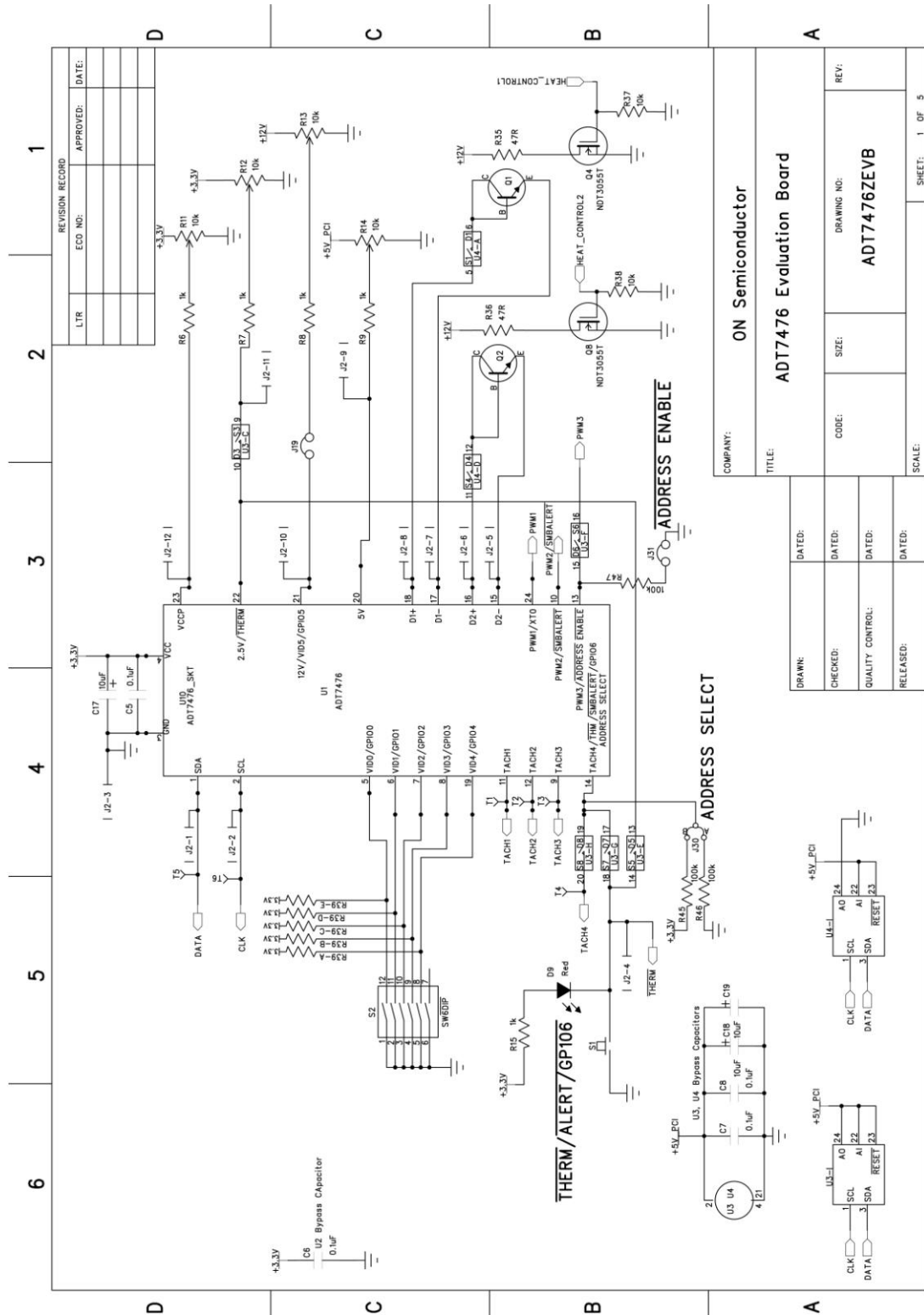
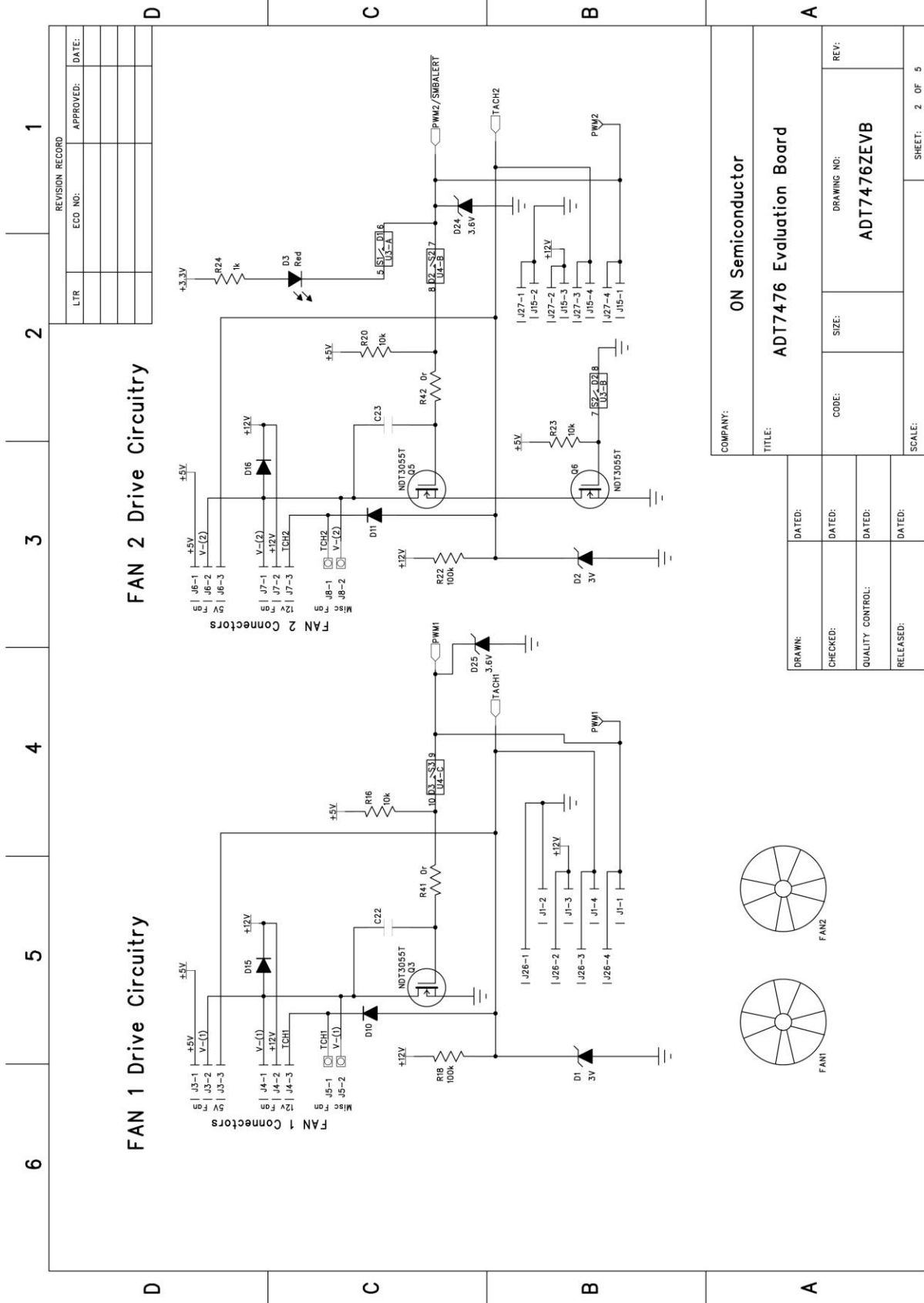


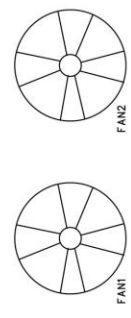


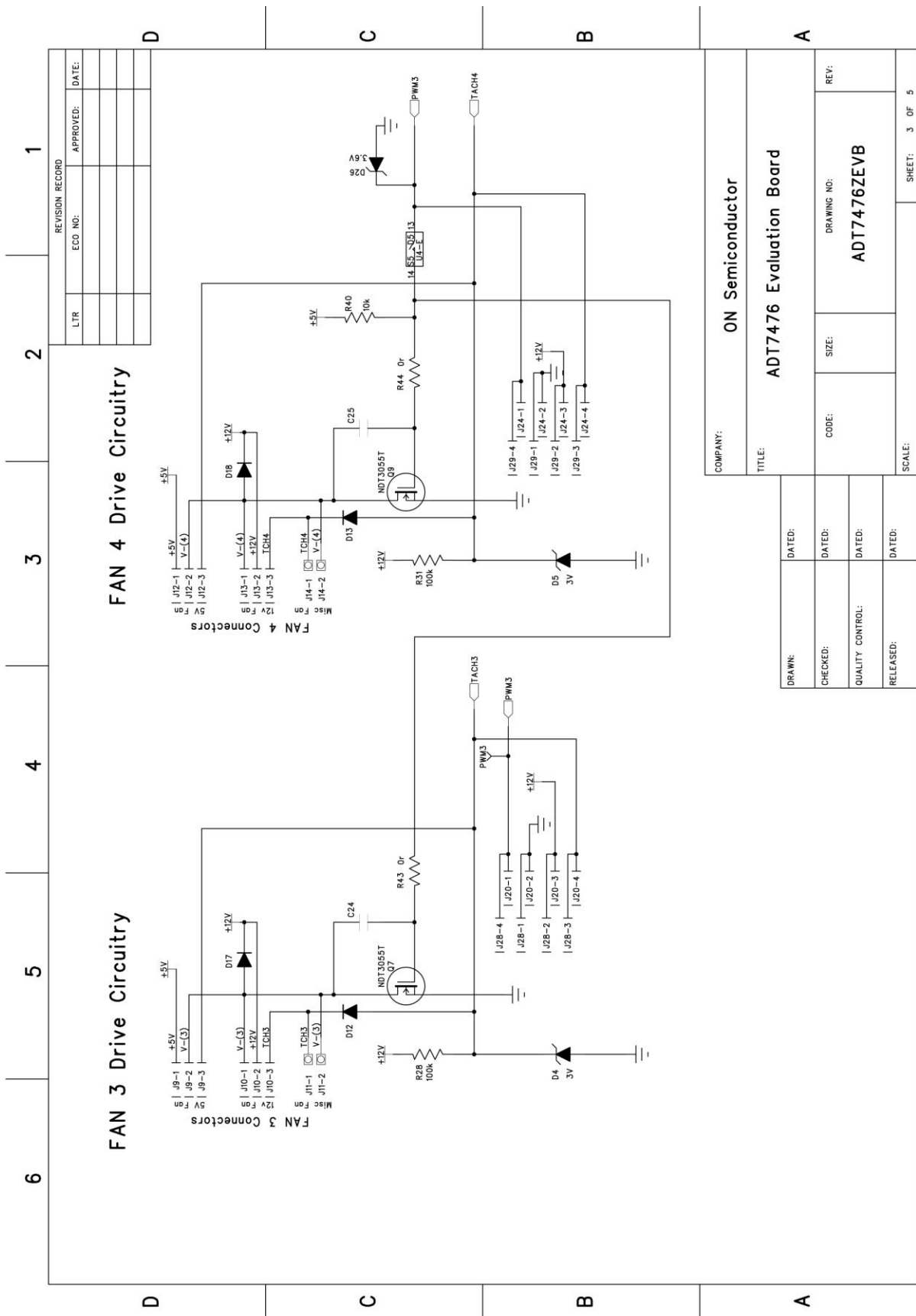
Schematic for the ADT7476EBZEV Evaluation Board





COMPANY: ON Semiconductor	
TITLE: ADT7476 Evaluation Board	
DRAWN:	DATED:
CHECKED:	DATED:
QUALITY CONTROL:	DATED:
RELEASED:	DATED:
CODE:	SIZE:
DRAWING NO: ADT7476ZEV8	
REV:	
SCALE:	SHEET: 2 OF 5





COMPANY: ON Semiconductor

TITLE: ADT7476 Evaluation Board

DRAWING NO: ADT7476ZEV8

REV:

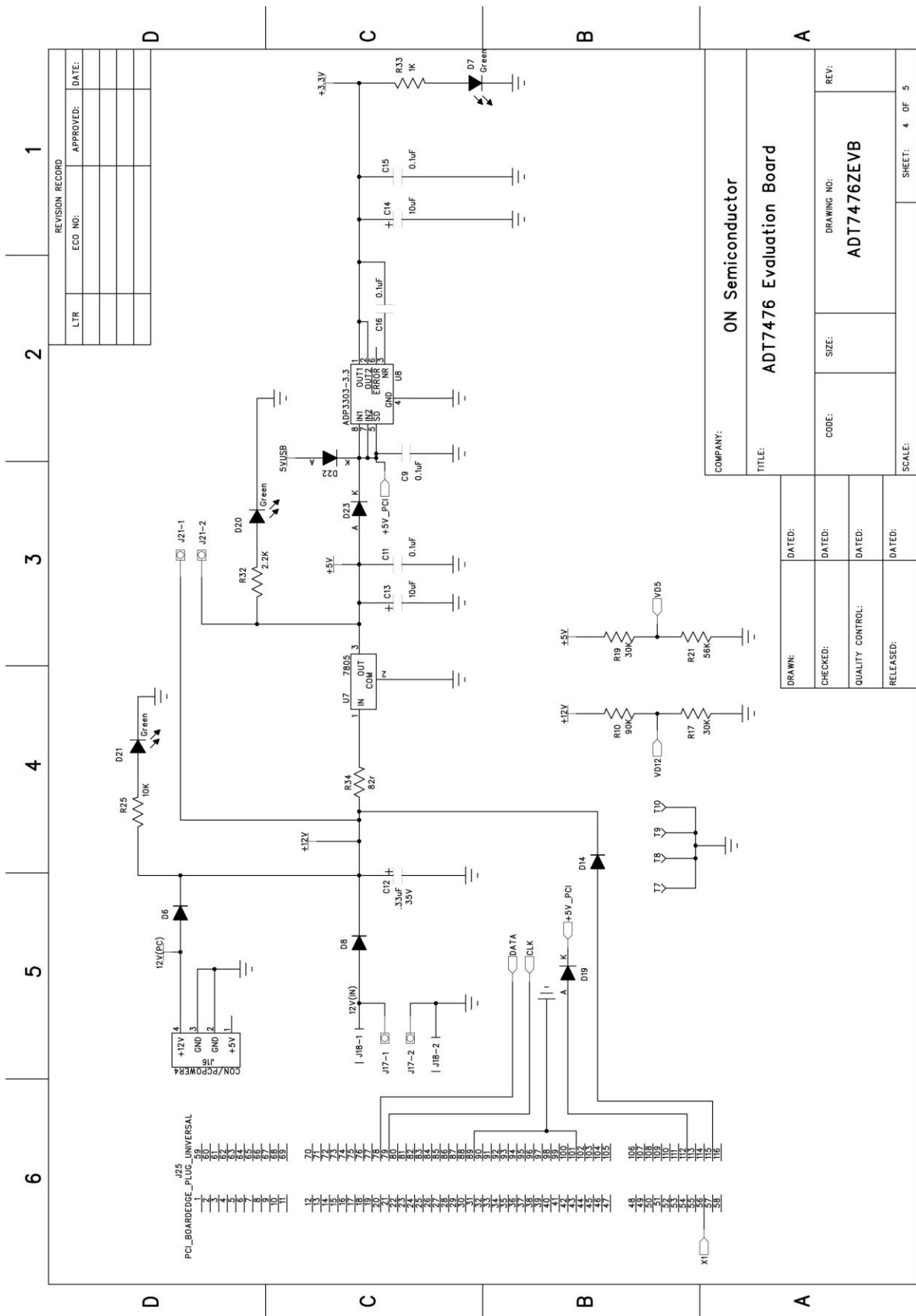
CODE:

SIZE:

SCALE:

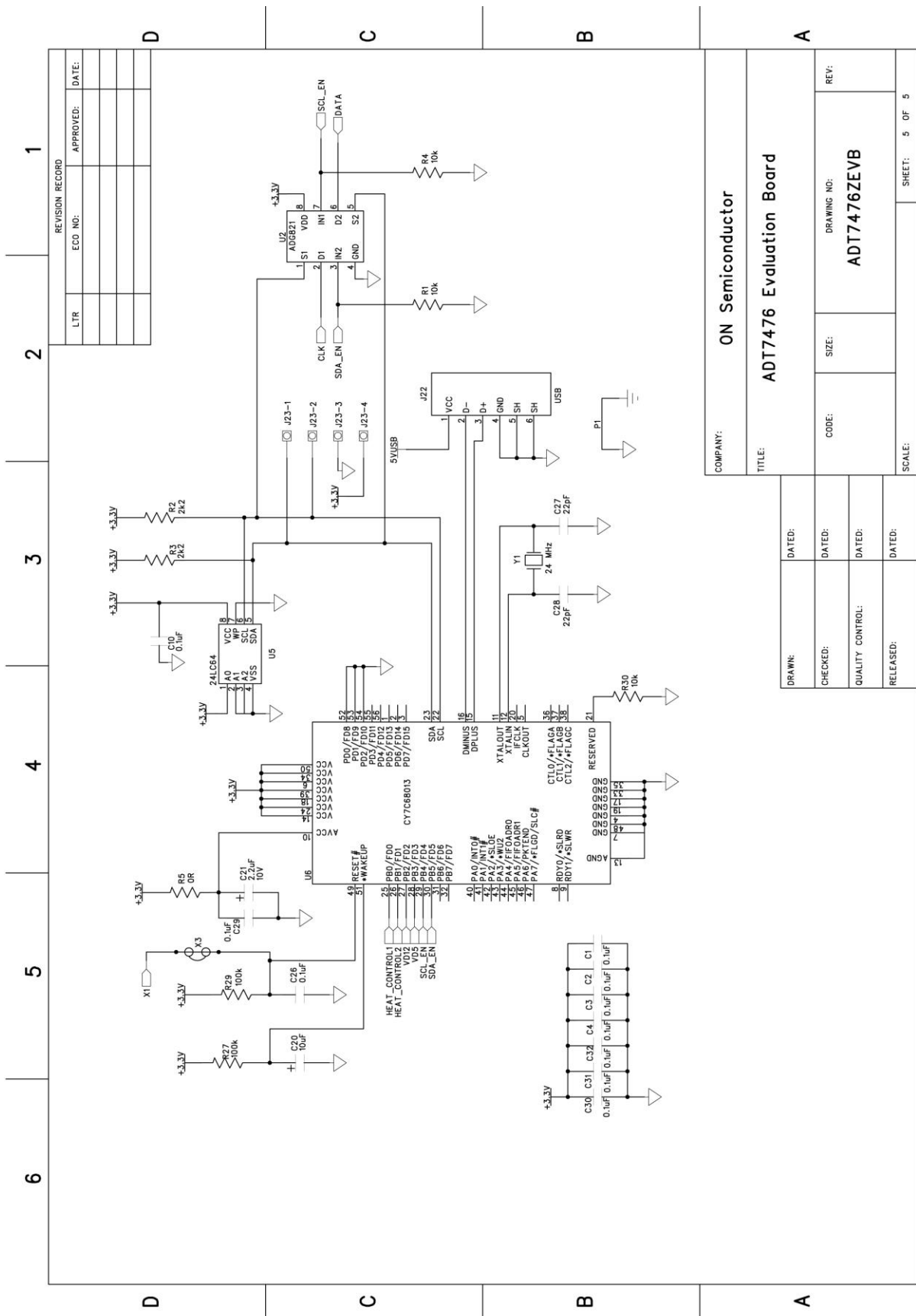
SHEET: 3 OF 5

DRAWN:	DATED:
CHECKED:	DATED:
QUALITY CONTROL:	DATED:
RELEASED:	DATED:



REVISION RECORD		
LTR	ECO NO:	APPROVED: DATE:

COMPANY: ON Semiconductor	
TITLE: ADT7476 Evaluation Board	
DRAWN:	DATED:
CHECKED:	DATED:
QUALITY CONTROL:	DATED:
RELEASED:	DATED:
CODE:	SIZE:
DRAWING NO: ADT7476ZEV B	
REV:	
SCALE:	SHEET: 4 OF 5



COMPANY:		ON Semiconductor	
TITLE:		ADT7476 Evaluation Board	
DRAWN:	DATED:	CODE:	SIZE:
CHECKED:	DATED:	DRAWING NO: ADT7476ZEV B	
QUALITY CONTROL:	DATED:	REV:	
RELEASED:	DATED:	SCALE:	
SHEET:			5 OF 5