

SETUP GUIDE

Thank you for purchasing our “LC717A00ARGEVK”, the Capacitance touch sensor Evaluation board. This set contains four (4) different Evaluation boards of Capacitance touch sensor LSI (LC717A00AR), provided by SANYO Semiconductor Co., Ltd, which enables to perform evaluation on different forms of Pads.

1. PACKAGE CONTENTS CONFIRMATION

This set contains following items. Please check all items and if you find any missing items, please contact us.

- Capacitance touch sensor Evaluation board “LC717A00AR01GEVB” 1
- Capacitance touch sensor Evaluation board “LC717A00AR02GEVB” 1
- Capacitance touch sensor Evaluation board “LC717A00AR03GEVB” 1
- Capacitance Touch sensor Module “LC717A00ARGPGEVB” 1
- Multifunctional USB Conversion Module “MM-FT232H” 1
- CD-ROM..... 1
- USB Cable..... 1
- Setup guide..... 1

2. NECESSARY OPERATIONAL ENVIRONMENT

Following operational environment is necessary in order to use “LC717A00AR Software”, the Touch sensor Evaluation board application.

- Correspondence OS : Windows® XP (32bit), Windows® 7 (32bit)
- Memory capacity : More than 16MB
- Hard disc capacity : Amount of space → more than 500KB (Application size). Need additional size (optional) for obtaining Log file.
- Interface : USB2.0

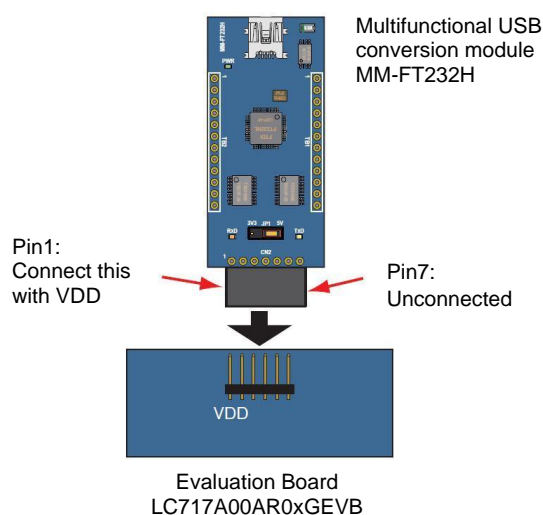
3. SETUP

Insert contained CD-ROM to CD-ROM drive of the host machine. After CD-ROM is loaded, startup screen will automatically popup on your screen. Please follow instructions of the startup screen to setup following items. If startup screen does not popup automatically, double-click on “LC717A00ARGEVK_E.html” which is in the CD-ROM.

1. Installation of Touch sensor evaluation application “LC717A00AR software”
2. Installation of USB driver for Multifunctional USB conversion module

4. CONNECTING MULTIFUNCTIONAL USB CONVERSION MODULE

Where appropriate, please connect Capacitance touch sensor Evaluation board and Multifunctional USB conversion module as shown below.



When connecting Multifunctional USB conversion module, make sure to have USB cable unplugged. When unplugging Multifunctional USB conversion module, please unplug USB cable before the module.

5. USE OF AC ADAPTER

Please use 5V AC adapter when using LC717A00AR01GEVB without connecting to PC.

NOTE:

- Please take extra care for polarity – Using wrong polarity may cause IC damage.
- Some AC adapter with large anti-ground noise may not be used.

6. USAGE ADVISORY

- When using AC adapter, please switch the jumper of LC717A00AR01GEVB to AC adapter side.
- If error is displayed when starting “LC717A00AR Software”, please check the following:
 - Please make sure that Device driver is operating correctly:
If “!” is shown at “USB Serial Port” in Windows’ “Device manager”, Device driver is not operating correctly. In such a case, disconnect the device from PC and reconnect it again. If “!” still shows up on the screen after disconnecting so many times, please reinstall the Device driver.
- Additional documents, FAQ, and any updates regarding this set are posted on SANYO homepage.
We recommend all users to check the homepage regularly.

SANYO Semiconductor Touch sensor webpage

<http://www.sanyosemi.com/en/touch-sensor/index.php>