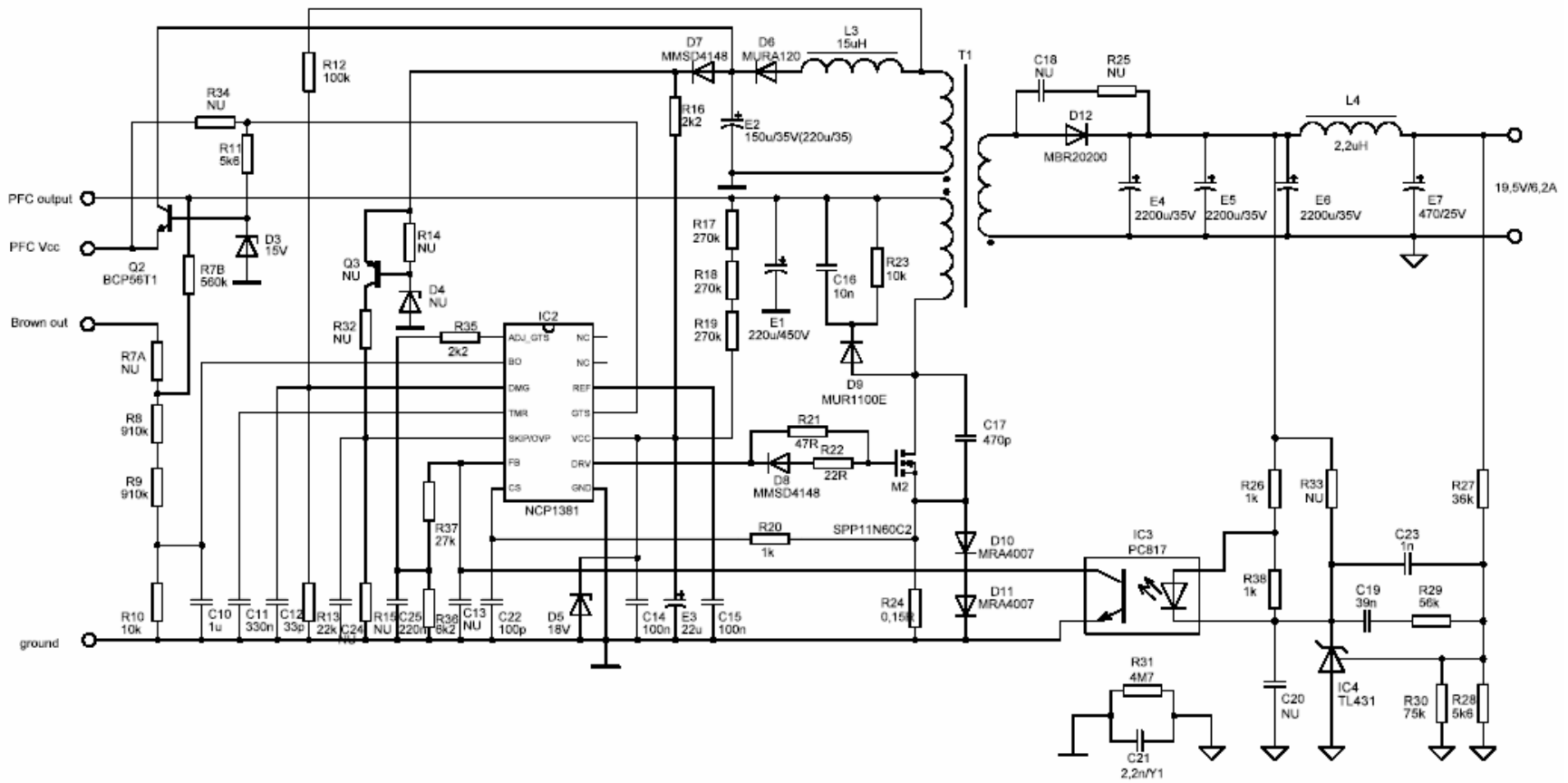


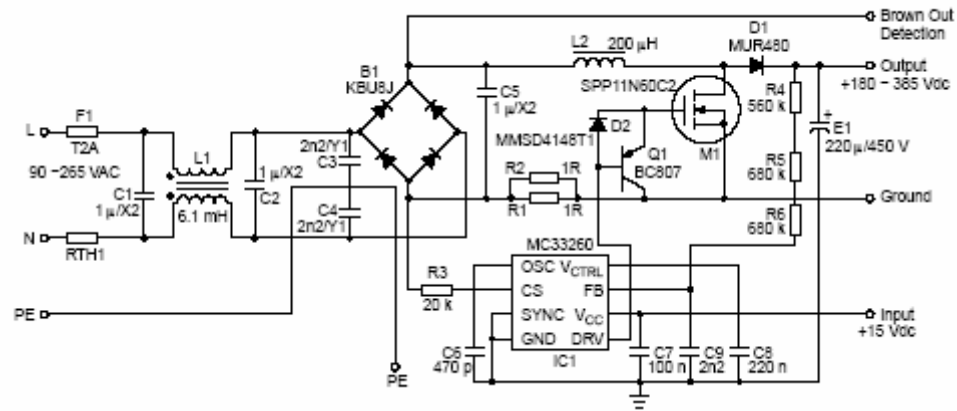
# Schematic for the NCP1381 Evaluation Board

ON Semiconductor®



4.19.2006





PFC Stage