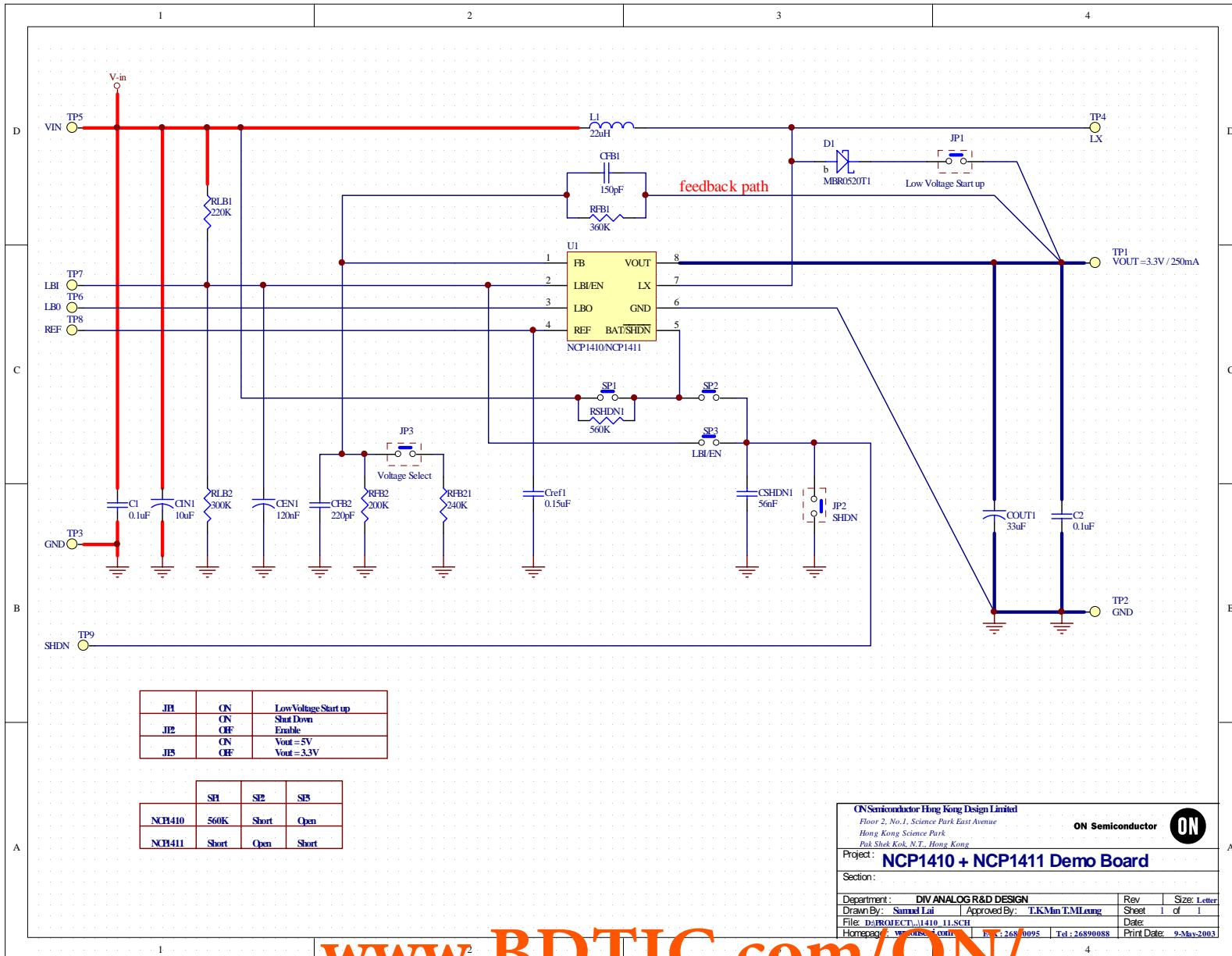


# Schematic for the NCP1410 and NCP1411 Demonstration Boards

ON Semiconductor



6/8/2004



J1	CN	Low Voltage Start up
J2	CN	Shut Down
J3	CF	Enable
J4	CN	Vout = 5V
J5	CF	Vout = 3.3V

	SP1	SP2	SP3
NCP1410	500K	Short	Open
NCP1411	Short	Open	Short

ON Semiconductor Hong Kong Design Limited  
 Floor 2, No. 1, Science Park East Avenue  
 Hong Kong Science Park  
 Pak Shek Kok, N.T., Hong Kong

ON Semiconductor

Project: **NCP1410 + NCP1411 Demo Board**

Section:

Department:	DIV ANALOG R&D DESIGN	Rev	Size: Letter
Drawn By:	Samud Lai	Approved By:	T.K.M. T.M. Leung
File:	D:\PROJECT_1410_11.SCH	Date:	
Homepage:	www.onsemi.com	Fax:	268 0095
		Tel:	26890088
		Print Date:	9-May-2003