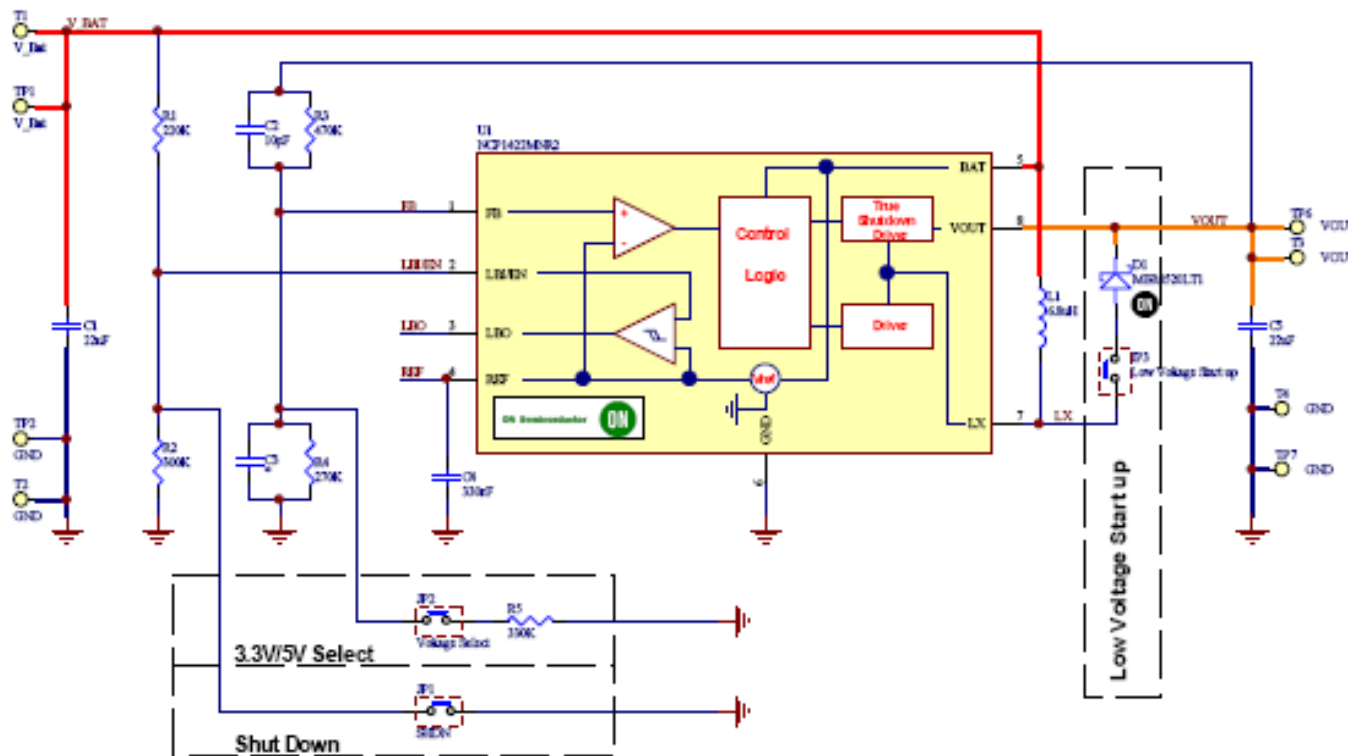




Schematic for the NCP1422 Evaluation Board



800 mA Sync-Rect PFM Step-Up DC-DC converter with True-Cutoff and Ring-Killer