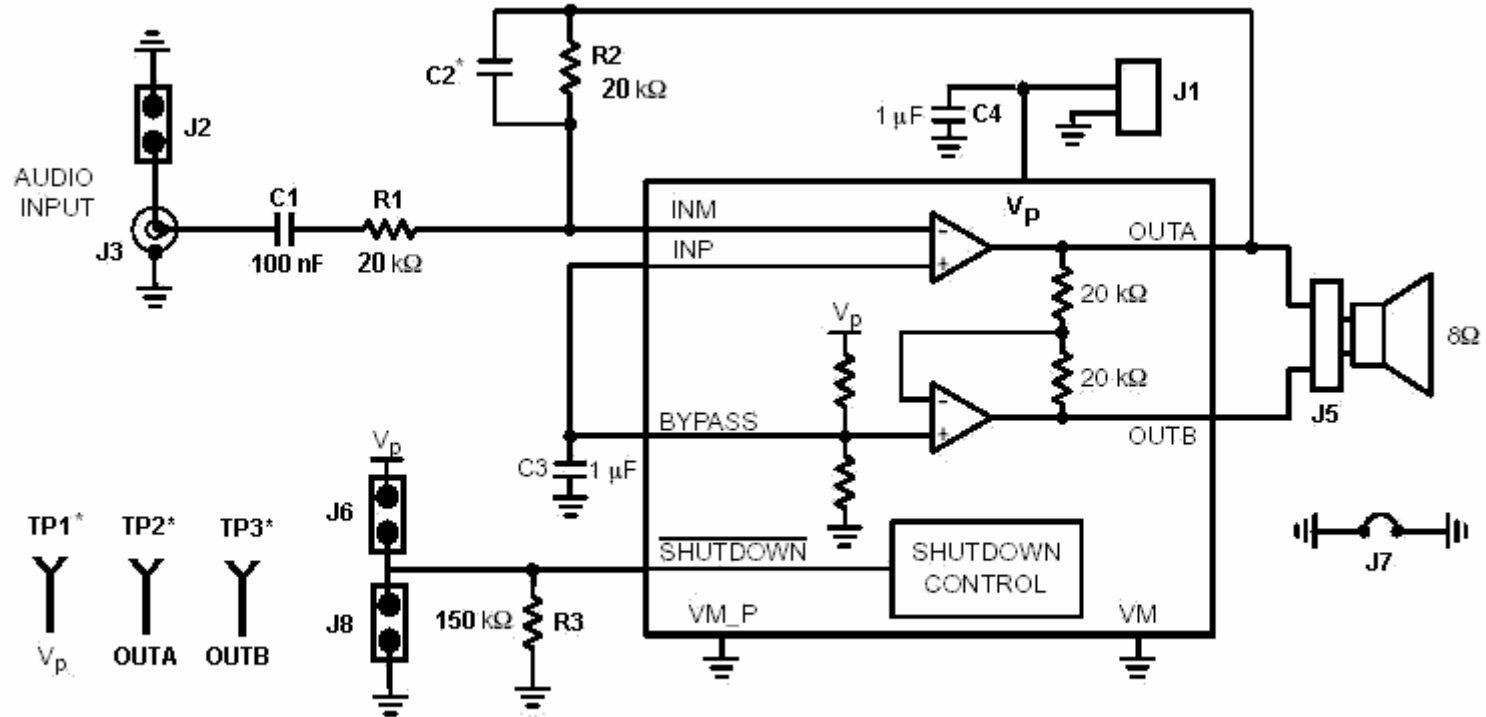


Schematic for the NCP2990 Evaluation Board

ON Semiconductor®



11/28/2006



*C2, TP1, TP2 and TP3: Not Mounted