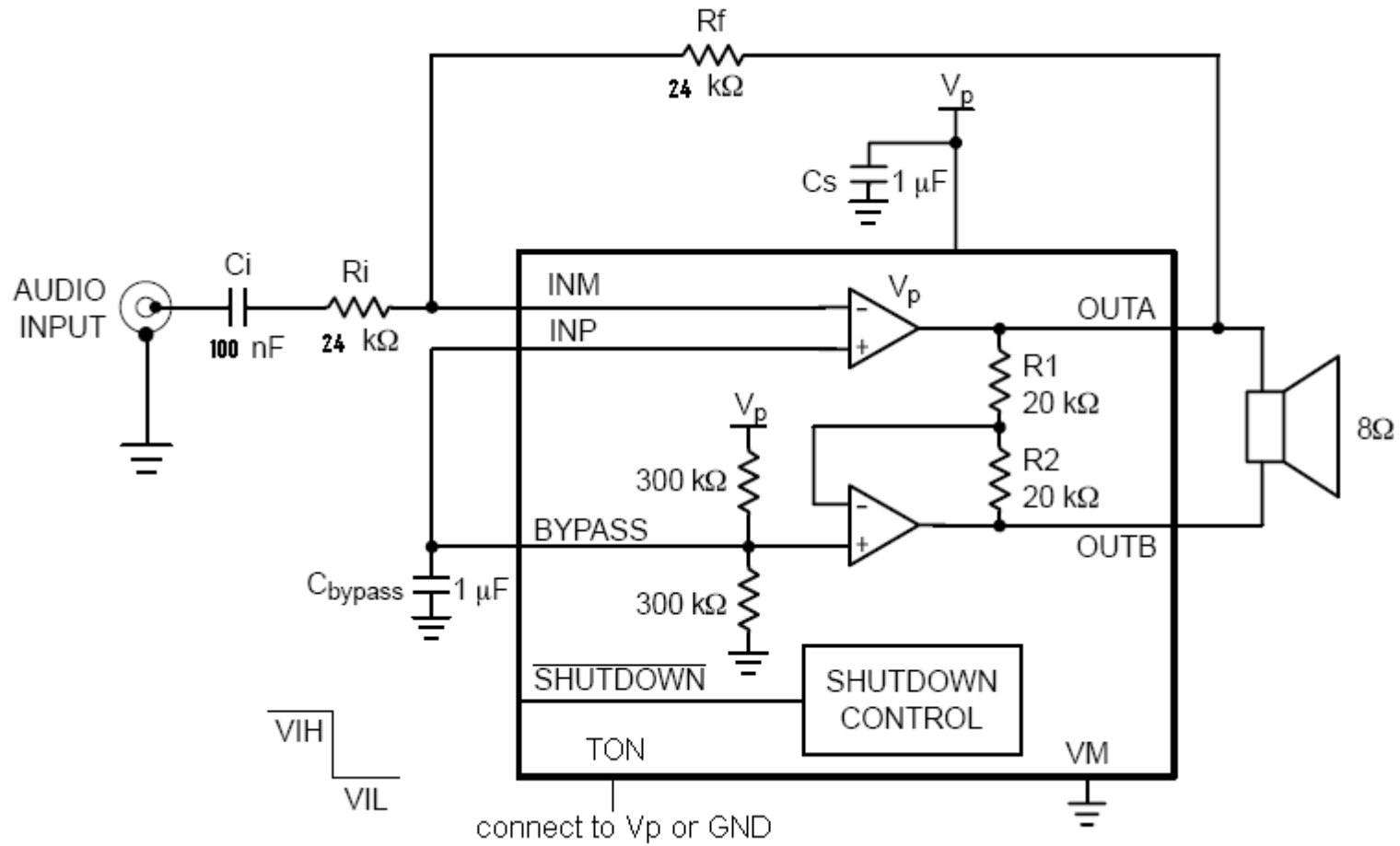
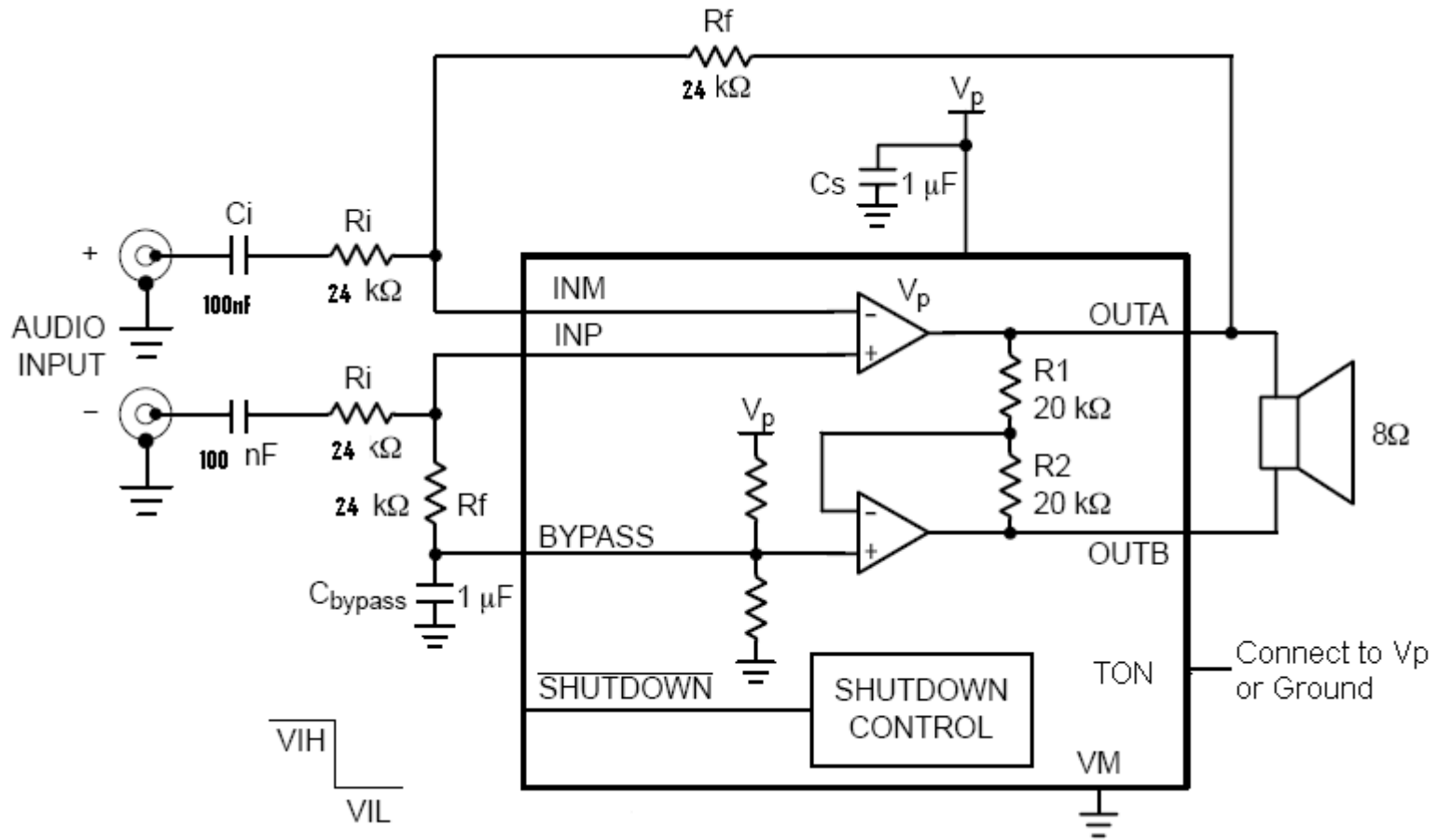




Schematic for the NCP2991FCT2GEVB Evaluation Board



Single-ended Configuration



Differential Configuration