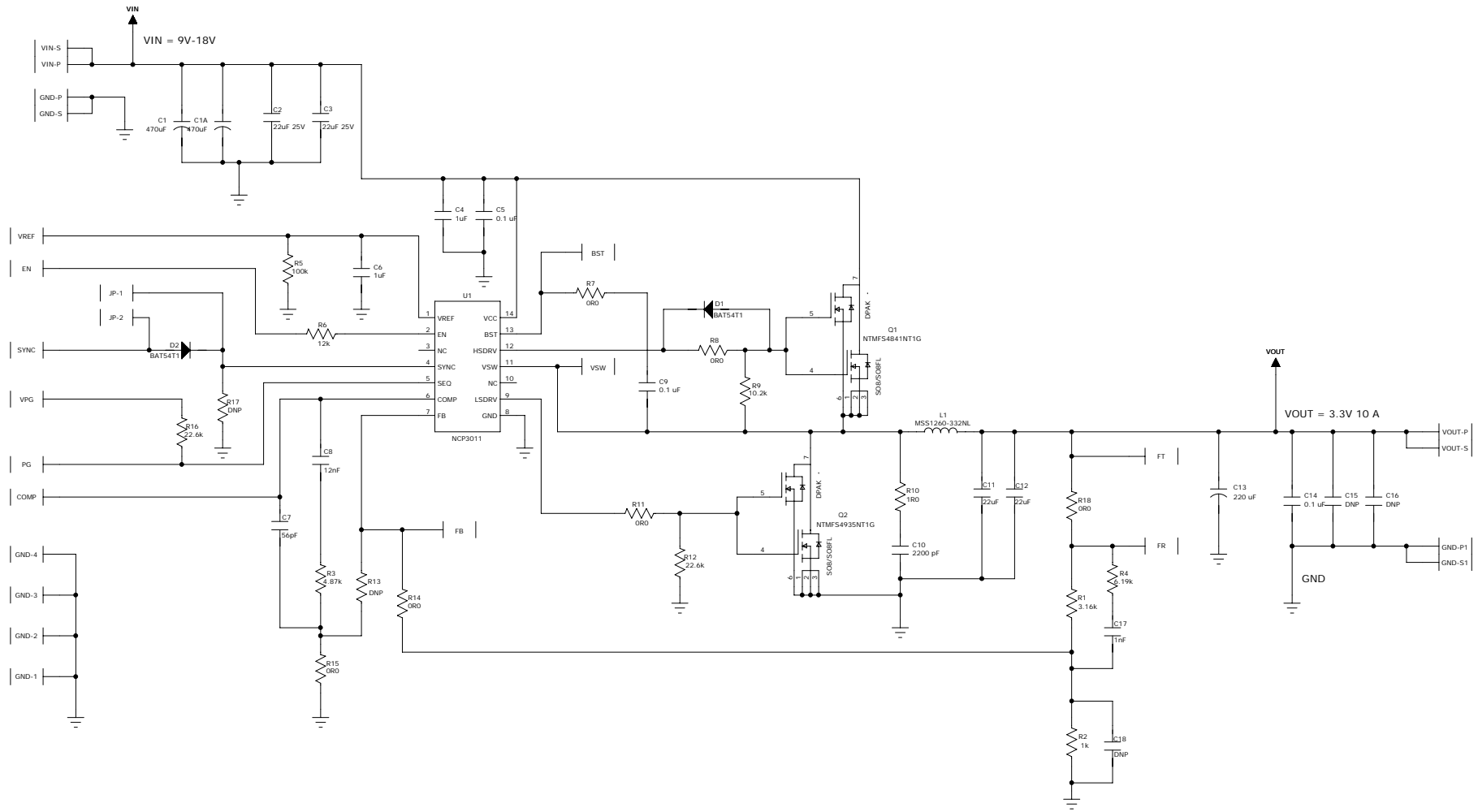


REVISION RECORD			
LTR	ECO NO:	APPROVED:	DATE:



ON Semiconductor
 1-800-282-9855
<http://www.onsemi.com>

	R13	R15
STANDARD OTA FEEDBACK	OPEN	SHORT
OTA FEEDBACK	SHORT	OPEN

www.BDTIC.com/ON/

DRAWN: Jim Hill	DATED: 11/13/09
CHECKED: <Checked By>	DATED: <Checked Date>
QUALITY CONTROL	DATED:
RELEASED: <Released By>	DATED: <Release Date>

COMPANY: On Semiconductor			
TITLE: NCP3011 Evaluation Board			
CODE: DGF	SIZE: C	DRAWING NO: SCH-NCP3011	REV: 3
SCALE: 1:1			SHEET: 1 of 1