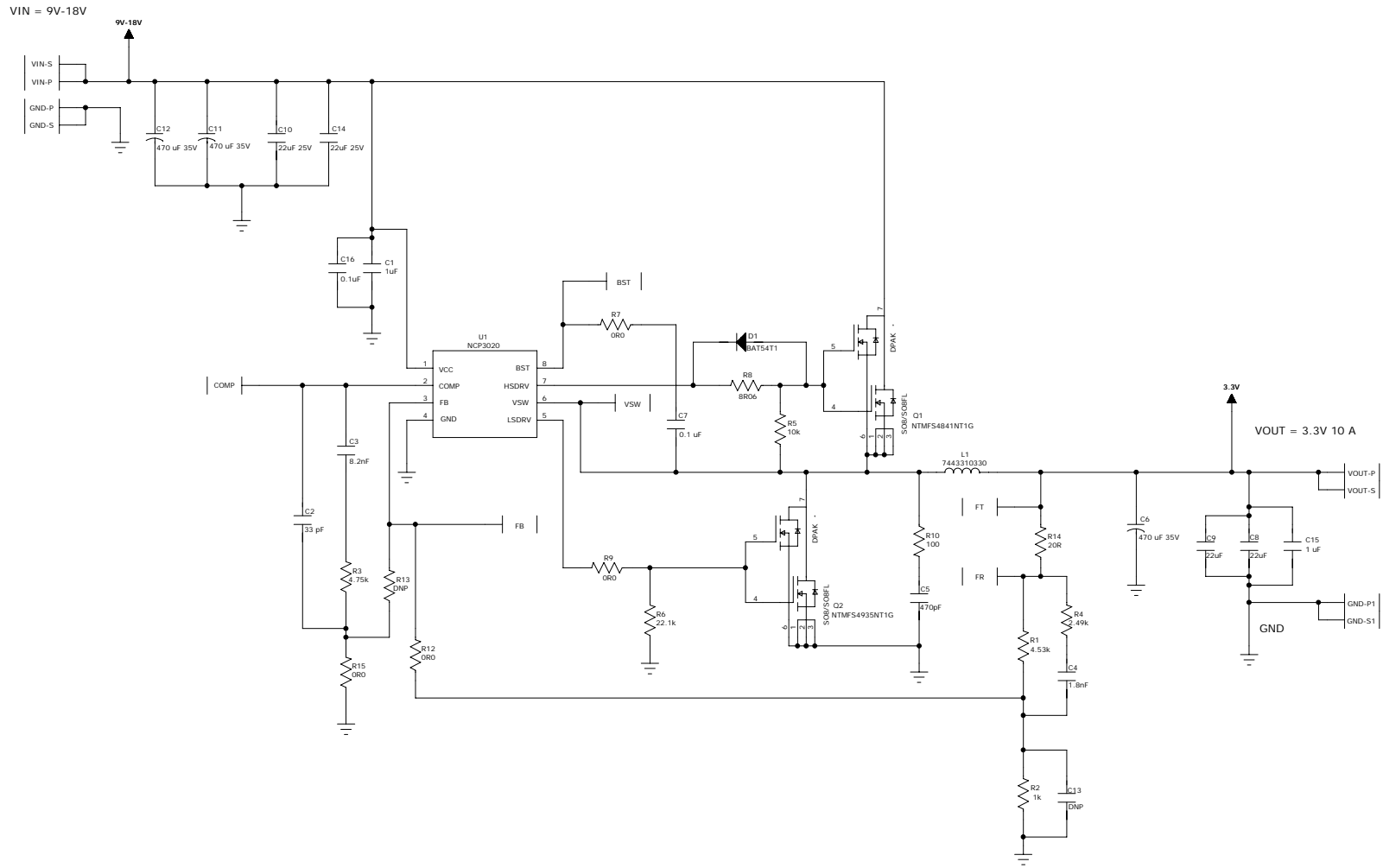


| REVISION RECORD | | | |
|-----------------|---------|-----------|-------|
| LTR | ECO NO: | APPROVED: | DATE: |
| | | | |
| | | | |
| | | | |



 ON Semiconductor
 1-800-282-9855
 U2 <http://www.onsemi.com>
 ON_LOGO

 U3
 PB-FREE

| | | |
|-----------------------|-------|-------|
| | R13 | R15 |
| STANDARD OTA FEEDBACK | OPEN | SHORT |
| INTERNAL FEEDBACK | SHORT | OPEN |

www.BDTIC.com/ON/

| | |
|-----------------------|--------------------|
| DRAWN: BWM / JGH | DATED: 11/3/09 |
| CHECKED: TOM DUNN | DATED: 11/11/09 |
| QUALITY CONTROL: | DATED: |
| RELEASED: Jim Hill | DATED: 11/12/09 |

| | | | |
|------------------------------------|------------|----------------------------|-----------|
| COMPANY: On Semiconductor | | | |
| TITLE: NCP3020 Evaluation Board | | | |
| CODE: DGF | SIZE: C | DRAWING NO: SCH-NCP3020 | REV: 3 |
| SCALE: 1:1 | | SHEET: 1 of 1 | |