

AND8323



Compact, Dual 2 A Reference Design with the NCP3120

Prepared by: Jim Hill
ON Semiconductor

ON Semiconductor®

<http://onsemi.com>

Evaluation Board Specification:

Characteristic		Min	Typ	Max	Unit	Comments
Input Voltage		7		15	V	(Note 1)
Output Voltage	V _{out1}		3.3		V	
	V _{out2}		5		V	
Output Current	V _{out1}	0		2	A	
	V _{out2}	0		2	A	
Oscillator Frequency			300		kHz	
Enable Threshold High	EN Tied to SEQ	2.0			V	EN Tied to SEQ
Sequence Threshold Low	EN Tied to SEQ			0.8	V	EN Tied to SEQ
Voltage Ripple	V _{out1}		40		mV _{pk-pk}	
	V _{out2}		40		mV _{pk-pk}	
Load Regulation (V _{in} = 12 V, I _{out} = 0.5 - 2 A)	V _{out1}		0.61		mV/A	
	V _{out2}		0.21		mV/A	
Line Regulation (V _{in} = 10.8 - 13.2 V, I _{out} = 2 A)	V _{out1}		1.85		mV/V	
	V _{out2}		3.53		mV/V	
Thermal Shutdown			160		°C	
Dual 2 A DC-DC Converter Dimensions					1" X 2"	Outlined Area

1. Operation down to 4.5 V requires selecting a lower voltage for V_{out2}.

Circuit Description

The NCP3120 operates as a voltage-mode, pulse-width-modulated, (PWM) asynchronous buck converter. Its operating frequency is adjustable with an external resistor to ground from 220 kHz to 750 kHz. minimum switching frequency of 220 kHz and a maximum 750 kHz. Also, an onboard operational transconductance amplifier (OTA) integrates the error signal to provide high DC accuracy. The NCP3120 also includes an enable and disable function with externally controlled soft start and stop.



AND8323

Board Details

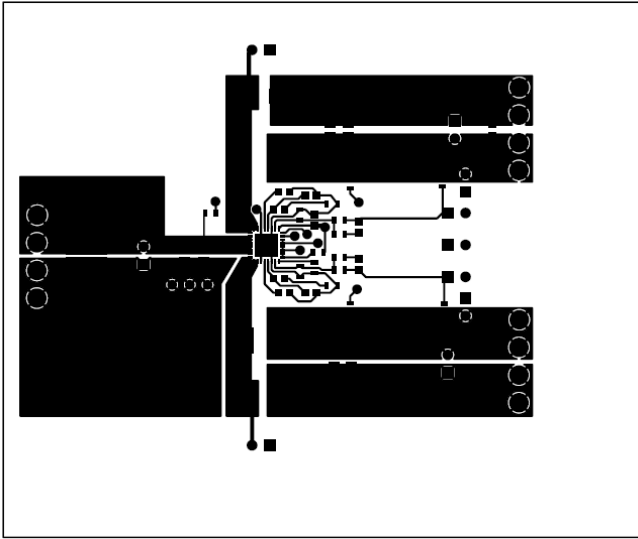


Figure 1. Top Layer

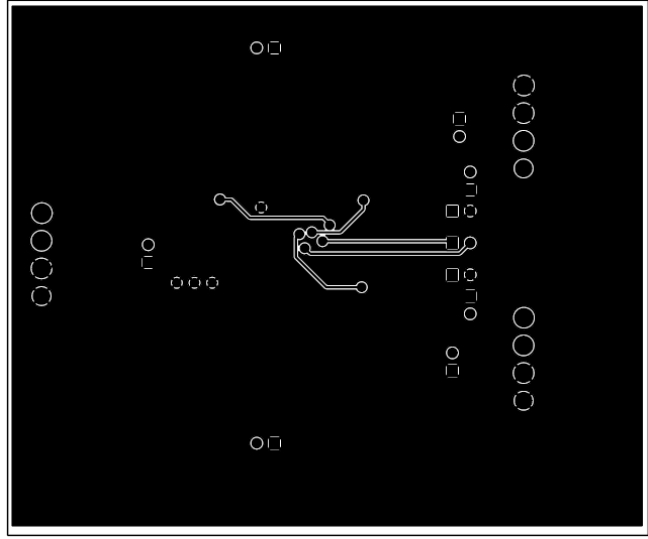


Figure 2. Bottom Layer

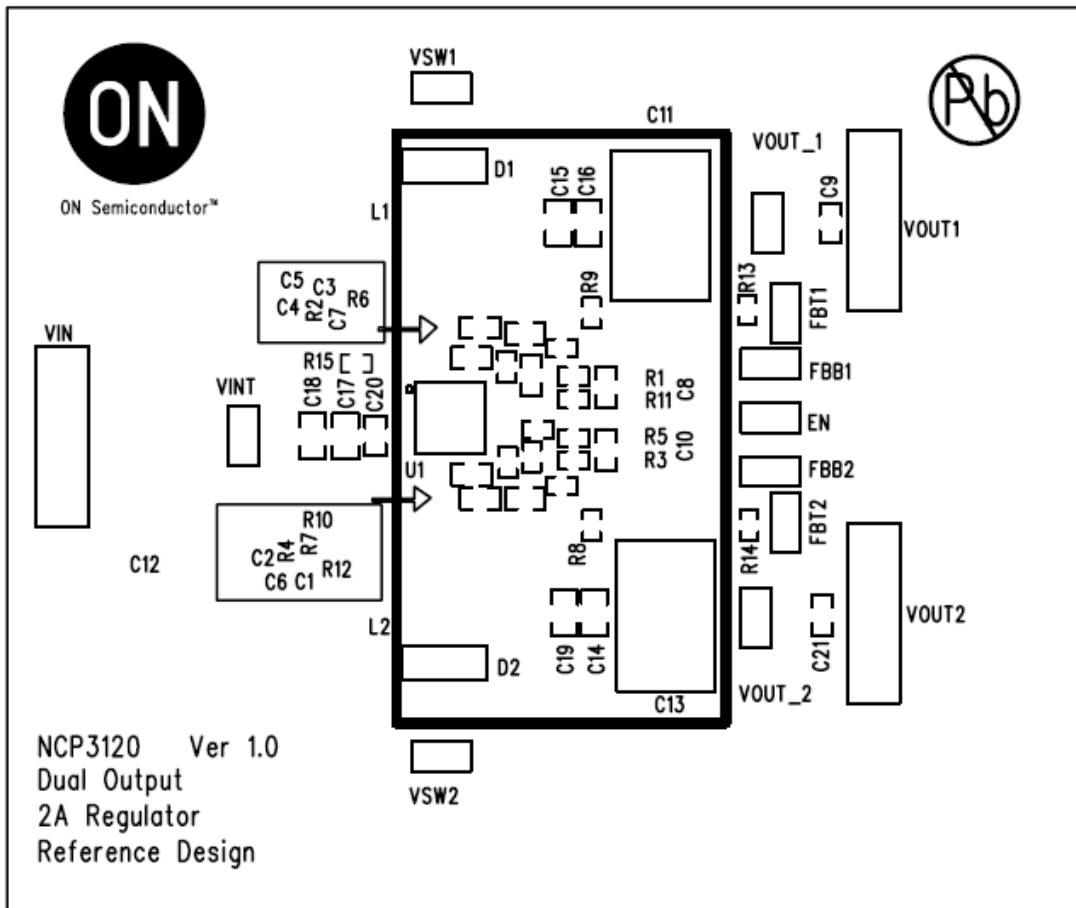


Figure 3. Silkscreen Layer

AND8323

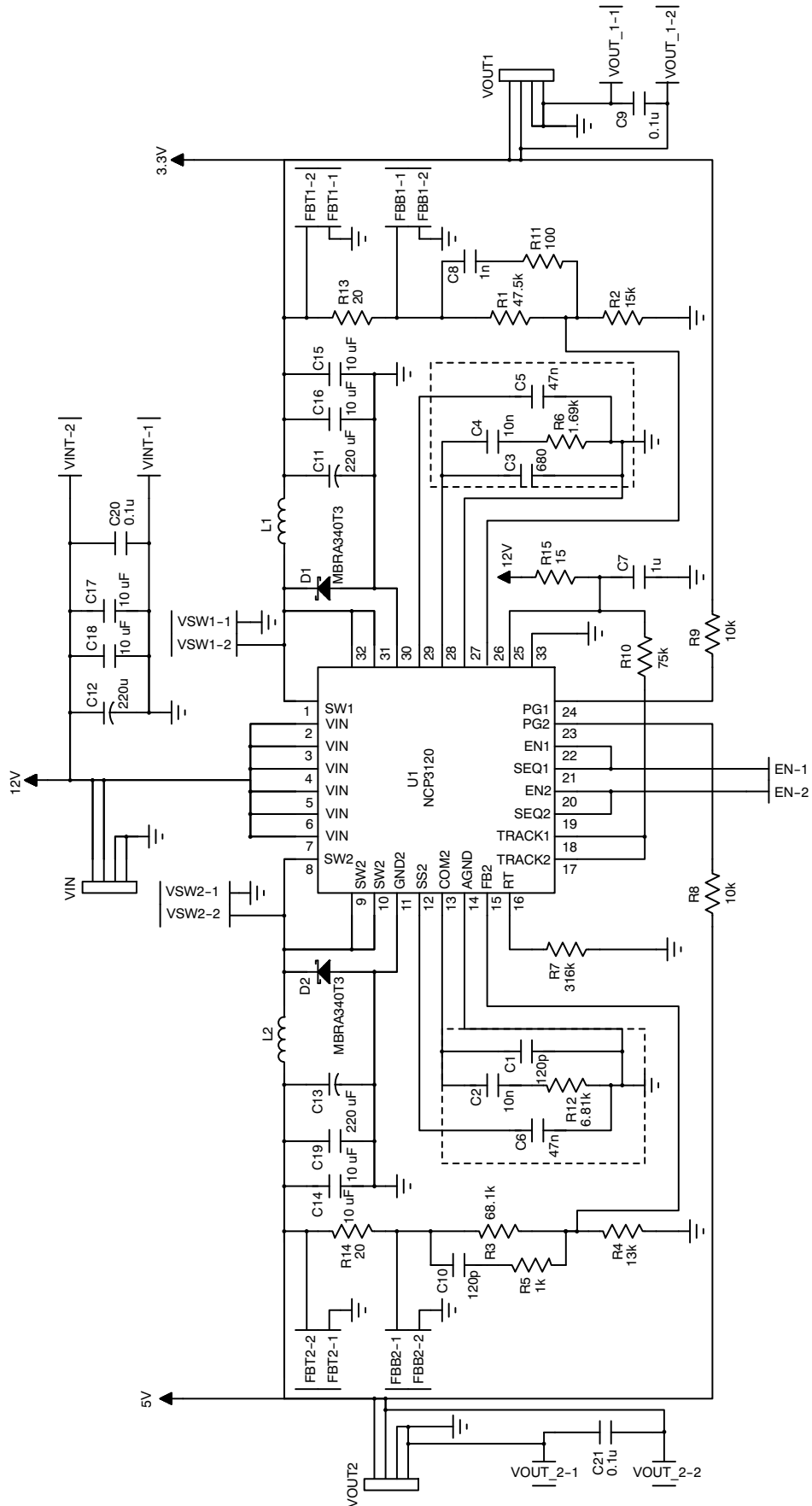


Figure 4. Evaluation Board - Schematic

AND8323

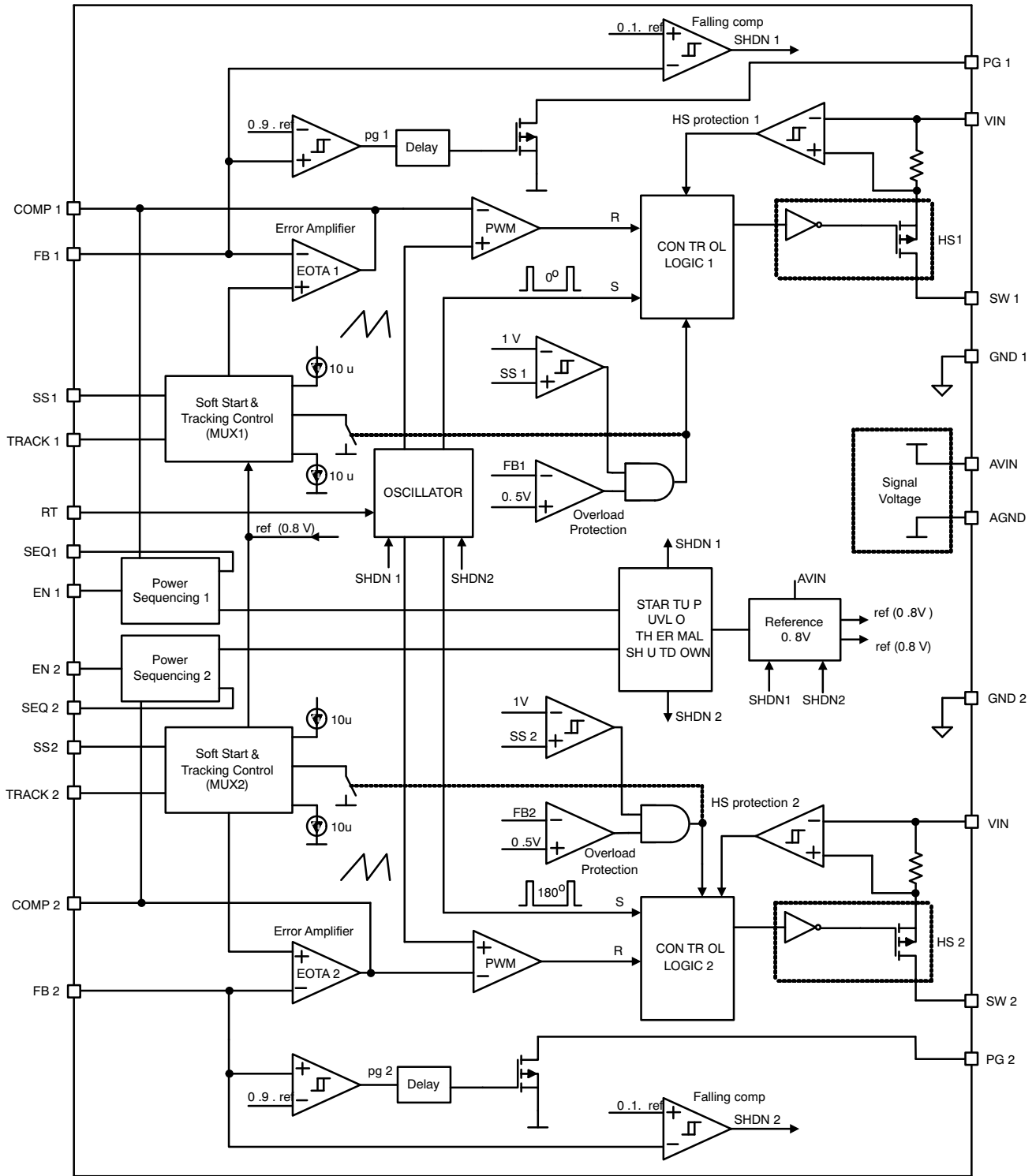


Figure 5. Block Diagram – NCP3120

AND8323

PIN DESCRIPTION

Pin	Symbol	Description
1, 31, 32	SW1	Switch node of Channel 1. Connect an inductor between SW1 and the regulator output.
2 – 7	V_{IN}	Input power supply voltage pins. These pins should be connected together to the input signal supply voltage pin.
8 – 10	SW2	Switch node of Channel 2. Connect an inductor between SW2 and the regulator output.
11	GND2	Power ground for Channel 2
12	SS2	Soft-start control input for Channel 2. An internal current source charges an external capacitor connected to this pin to set the soft-start time.
13	COMP2	Compensation pin of Channel 2. This is the output of the error amplifier and inverting input of the PWM comparator.
14	AGND	Analog ground; connect to GND1 and GND2.
15	FB2	Feedback Pin. Used to set the output voltage of Channel 2 with a resistive divider from the output.
16	RT	Resistor select for the oscillator frequency. Connect a resistor from the RT pin to AGND to set the frequency of the master oscillator.
17	TRACK 2	Tracking input for Channel 2. This pin allows the user to control the rise time of the second output. This pin must be tied high in the normal operation (except in the tracking mode).
18	TRACK 1	Tracking input for Channel 1. This pin allows the user to control the rise time of the first output. This pin must be tied high in the normal operation (except in the tracking mode).
19	SEQ2	Sequence pin for Channel 2. I/O used in power sequencing. Connect SEQ to EN for normal operation of a standalone device.
20	EN2	Enable input for Channel 2.
21	SEQ1	Sequence pin for Channel 1. I/O used in power sequencing. Connect SEQ to EN for normal operation of a standalone device.
22	EN1	Enable input for Channel 1.
23	PG2	Power good, open-drain output of Channel 2. Output logic is pulled to ground when the output is less than 90% of the desired output voltage. Tied to an external pull-up resistor.
24	PG1	Power good, open-drain output of Channel 1. Output logic is pulled to ground when the output is less than 90% of the desired output voltage. Tied to an external pull-up resistor.
25	AV_{IN}	Input signal supply voltage pin.
26	FB1	Feedback Pin. Used to set the output voltage of Channel 1 with a resistive divider from the output.
27	AGND	Analog ground. Connect to GND1 and GND2.
28	COMP1	Compensation pin of Channel 1. This is the output of the error amplifier and inverting input of the PWM comparator.
29	SS1	Soft-start/stop control input for Channel 1. An internal current source charges an external capacitor connected to this pin to set the soft-start time.
30	GND1	Power ground for Channel 1.
	Exposed Pad (GND)	The exposed pad at the bottom of the package is the electrical ground connection of the NCP3120. This node must be tied to ground.

Performance Information

The following Figures show typical performance of the NCP3120 in this evaluation board.

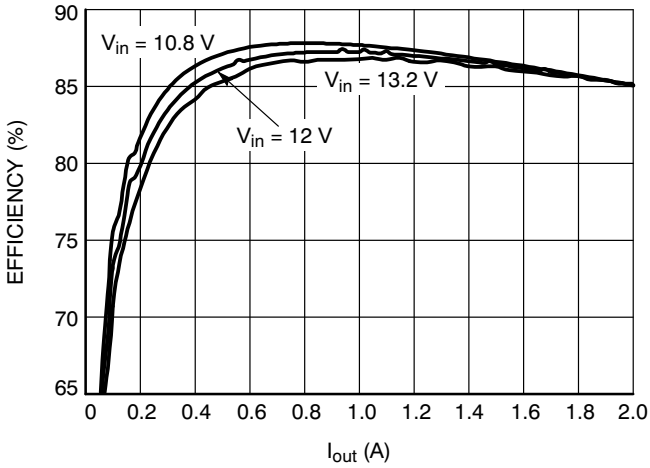


Figure 6. Efficiency for $V_{out1} = 3.3\text{ V}$

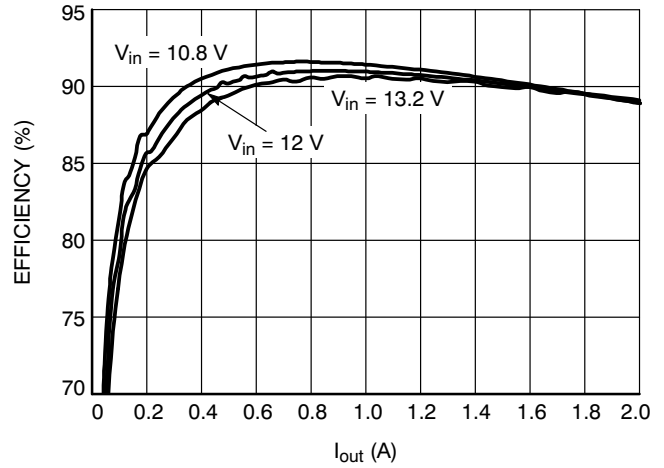


Figure 7. Efficiency @ $V_{out2} = 5\text{ V}$

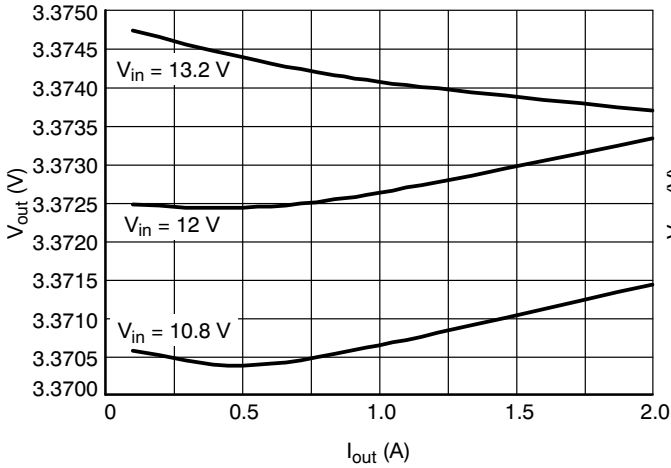


Figure 8. Load Regulation vs. V_{in} for $V_{out1} = 3.3\text{ V}$

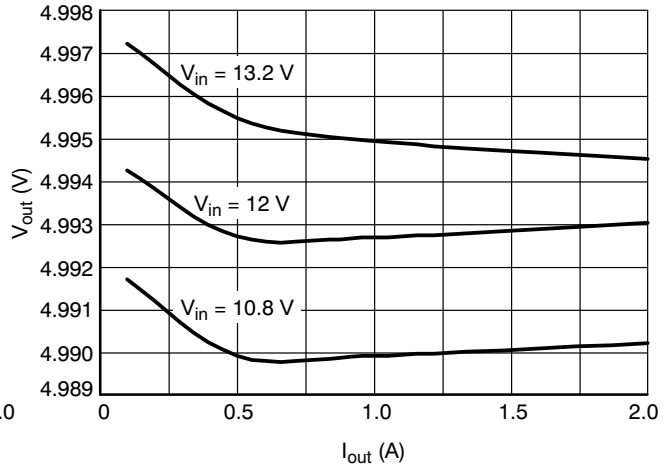


Figure 9. Load Regulation vs. V_{in} for $V_{out1} = 3.3\text{ V}$

Performance Information – cont.

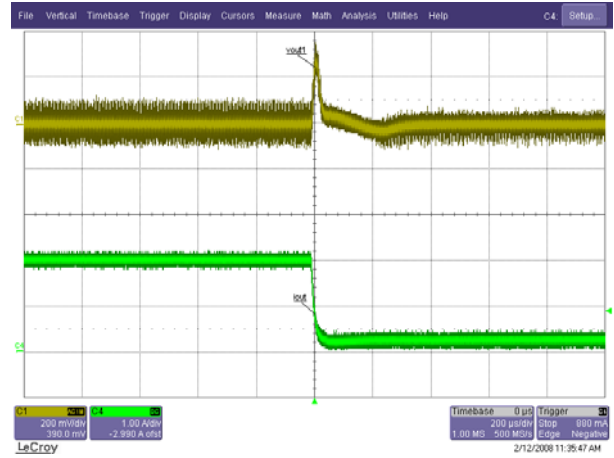
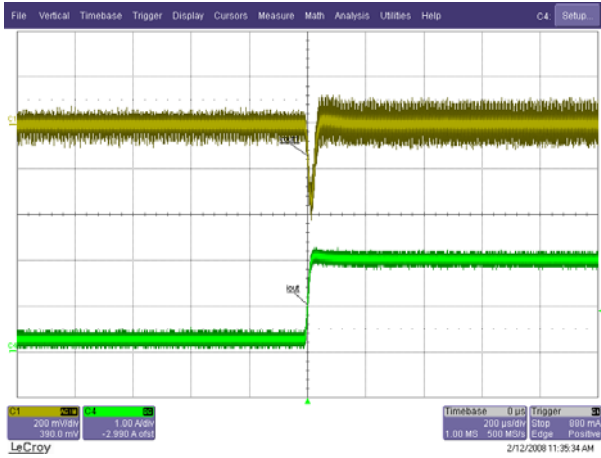


Figure 10. Load Transient – V_{out1} ($V_{in} = 12\text{ V}$, $I_{out} = 200\text{ mA}$ –to– 2 A –to– 200 mA)
(CH1 = V_{out1} , CH4 = I_{out1})

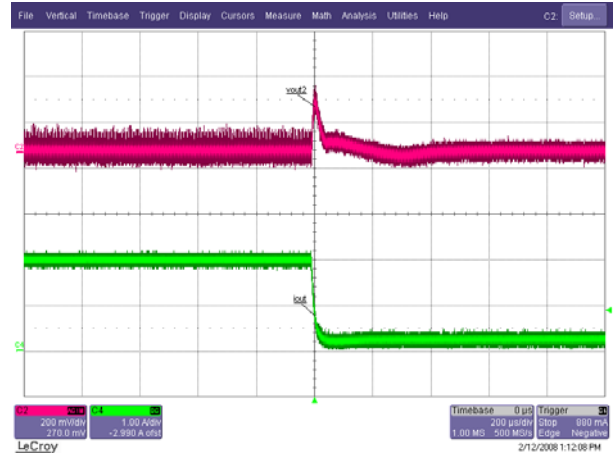


Figure 11. Load Transient – V_{out2} ($V_{in} = 12\text{ V}$, $I_{out} = 200\text{ mA}$ –to– 2 A –to– 200 mA)
(CH1 = V_{out2} , CH4 = I_{out2})

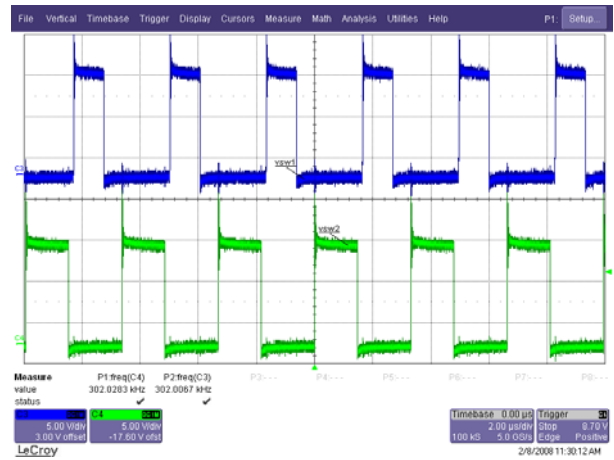
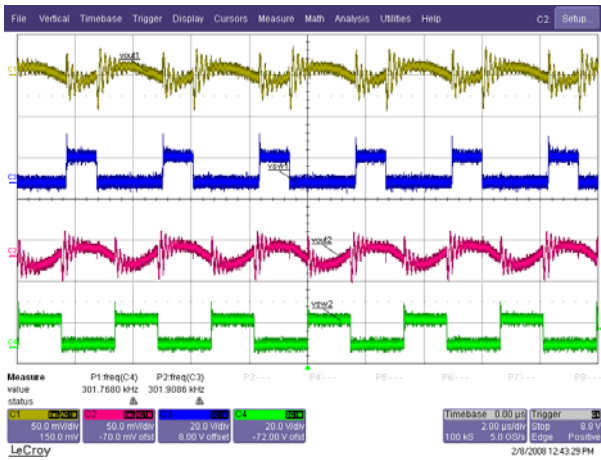


Figure 12. Switching Waveforms V_{out1} , V_{out2} , V_{sw1} , V_{sw2}
(CH1 = V_{out1} , CH2 = V_{out2} , CH3 = V_{sw1} , CH4 = V_{sw2})

Performance Information – cont.

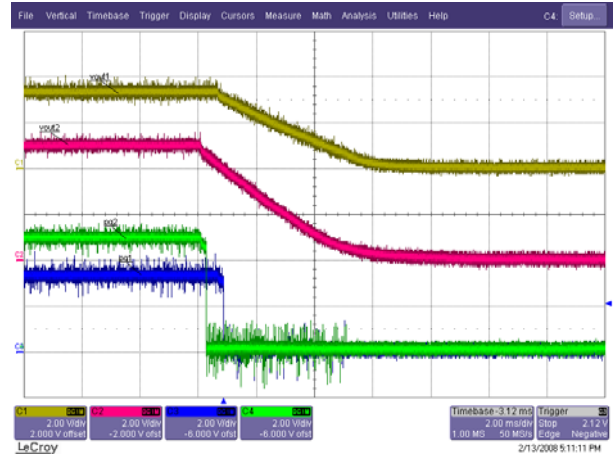
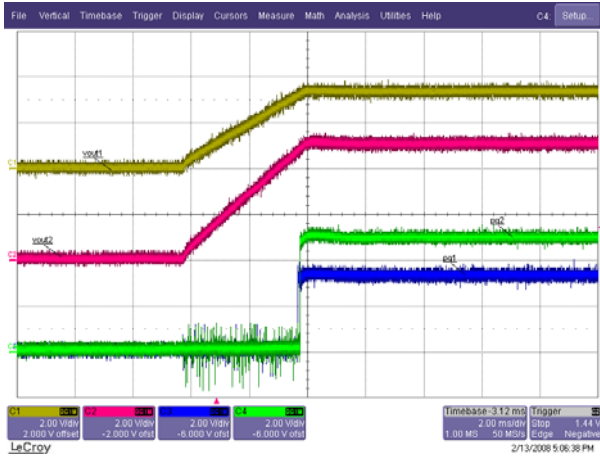


Figure 13. Ratiometric Startup of $V_{out1/2}$ with Power Good Outputs
(CH1 = V_{out1} , CH2 = V_{out2} , CH3 = PG1, CH4 = PG2)

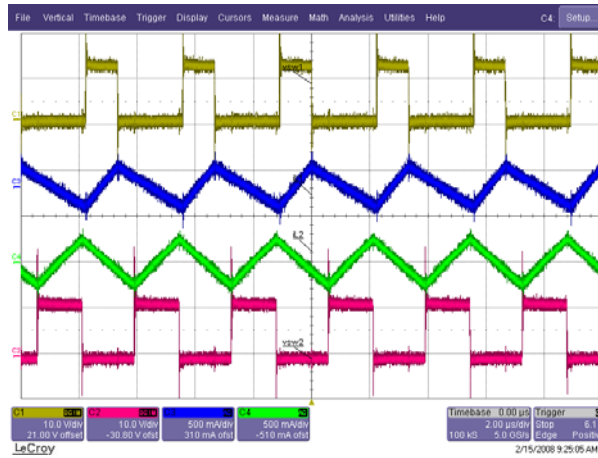


Figure 14. Switching Waveforms Showing 180° Phase Shift Operation
(CH1 = V_{SW1} , CH2 = V_{SW2} , CH3 = I_{L1} , CH4 = I_{L2})

Performance Information – cont.

Hiccup Overload Protection

The NCP3120 uses hiccup mode protection to protect the power supply from damage during overload conditions. During normal operation, the external soft start capacitor is pulled up by a current source that delivers 10 μA to the SS pin capacitor. This current source continues to charge the soft start capacitor until it reaches the saturation voltage of the current source (typically 4 V).

When the NCP3120 detects an overload condition (FB voltage falls to 0.5 V), switching stops, the soft start capacitor is discharged to 0.1 V and again charged to 1 V. The output of the error amplifier is also tied to ground (output transistor is closed) during the soft start capacitor discharge. If the output voltage is still below the overload condition voltage (0.5 V), the cycle repeats, as shown in Figure 15.

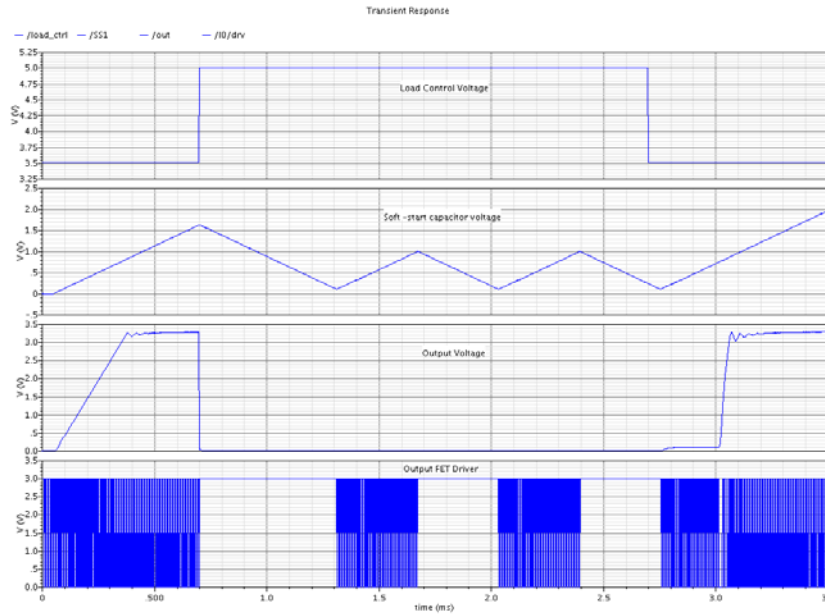


Figure 15. Hiccup Overload Protection Description ($V_{in} = 12\text{ V}$)

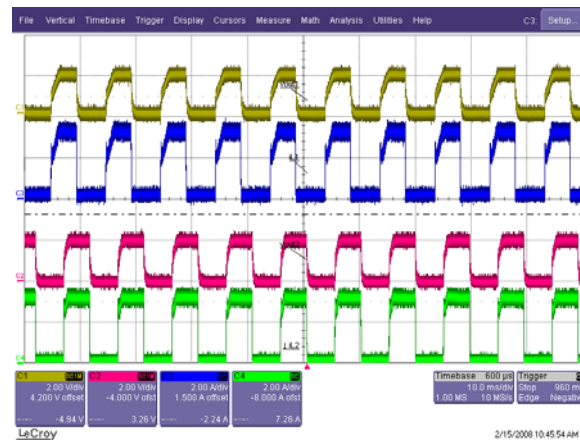



Figure 16. Switching Waveforms Showing Hiccup Overload Protection (CH1 = V_{SW1} , CH2 = V_{SW2} , CH3 = I_{L1} , CH4 = I_{L2})

AND8323

Bill of Materials

Designator	Qty	Description	Value	Tolerance	Footprint	Manufacturer Part Number	Manufacturer
C1	1	Ceramic Chip Capacitor, 50 V	120 p	±10%	0603	VJ0603A121JXACW1BC	Vishay
C2	1	Ceramic Chip Capacitor, 50 V	22 n	±10%	0603	VJ0603Y223KXJCW1BC	Vishay
C3	1	Ceramic Chip Capacitor, 50 V	680 p	±10%	0603	C1608C0G2E681J	TDK
C4	1	Ceramic Chip Capacitor, 50 V	10 n	±10%	0603	VJ0603Y103KXACW1BC	Vishay
C5-6	2	Ceramic Chip Capacitor, 50 V	47 n	±10%	0603	C1608X7R1E473K	TDK
C7	1	Ceramic Chip Capacitor, 6.3 V	1 μ	±10%	0603	C1608X5R0J105K	TDK
C8	2	Ceramic Chip Capacitor, 50 V	1 n	±10%	0603	C1608C0G1H102J	TDK
C9, C20-21	3	Ceramic Chip Capacitor, 16 V	0.1 μ	±10%	0603	C1608X7R1C104K	TDK
C10	1	Ceramic Chip Capacitor, 50 V	120 p	±10%	0603	VJ0603A121JXACW1BC	Vishay
C11-C13	3	Aluminum Electrolytic	220 μF	±20%	HA0	EMZA250ADA221MHA0G	United Chemicon
C14-16, C19	4	Ceramic Chip Capacitor, 6.3 V	10 μF	±10%	0805	C2012X5R0J106M	TDK
C17-18	2	Ceramic Chip Capacitor, 16 V	10 μF	±10%	1206	C3216X5R0J106K	TDK
U1	1	Dual, 2A Buck Converter	-	-	QFN32, 5x5x1	NCP3120MNTXG	ON Semiconductor
D1-2	2	Schottky Power Rectifier	3 A 40 V	n/a	SMA	MBRA340T3	ON Semiconductor
R1	1	SMT Resistor	47.5 k	±1%	0603	CRCW060347K5FKEA	Vishay
R11	1	SMT Resistor	100	±1%	0603	CRCW0603100RFKEA	Vishay
R12	1	SMT Resistor	6.81 k	±1%	0603	CRCW06036K81FKEA	Vishay
R13-14	2	SMT Resistor	20	±5%	0603	CRCW060320R0JNEA	Vishay
R15	1	SMT Resistor	15	±1%	0603	CRCW060315R0FKEA	Vishay
R2	1	SMT Resistor	15 k	±1%	0603	CRCW060315K0FKEA	Vishay
R3	1	SMT Resistor	68.1 k	±1%	0603	CRCW060368K1FKEA	Vishay
R4	1	SMT Resistor	13 k	±1%	0603	CRCW060313K0FKEA	Vishay
R5	1	SMT Resistor	1 k	±1%	0603	CRCW06031K00FKEA	Vishay
R6	1	SMT Resistor	1.69 k	±1%	0603	CRCW06031K69FKEA	Vishay
R7	1	SMT Resistor	316 k	±1%	0603	CRCW0603316KFKEA	Vishay
R8-9	2	SMT Resistor	10 k	±1%	0603	CRCW060310K0FKEA	Vishay
R10	1	SMT Resistor	75 k	±1%	0603	CRCW060375K0FKEA	Vishay
L1-2	2	Inductor	22 μH	±20%	ER	IHLP4040DZER220M11	Vishay
EN FBB1-2 FBT1-2 VINT VOUT_1-2 VSW1-2	10	GENERIC 2 PIN SIP HEADER 0.100 CENTERS		n/a	0.100 Centers		
VIN VOUT1-2	3	4 PIN Connector	4	n/a	4 PIN Connector	1-640445-4	TYCO

ON Semiconductor and  are registered trademarks of Semiconductor Components Industries, LLC (SCILLC). SCILLC reserves the right to make changes without further notice to any products herein. SCILLC makes no warranty, representation or guarantee regarding the suitability of its products for any particular purpose, nor does SCILLC assume any liability arising out of the application or use of any product or circuit, and specifically disclaims any and all liability, including without limitation special, consequential or incidental damages. "Typical" parameters which may be provided in SCILLC data sheets and/or specifications can and do vary in different applications and actual performance may vary over time. All operating parameters, including "Typicals" must be validated for each customer application by customer's technical experts. SCILLC does not convey any license under its patent rights nor the rights of others. SCILLC products are not designed, intended, or authorized for use as components in systems intended for surgical implant into the body, or other applications intended to support or sustain life, or for any other application in which the failure of the SCILLC product could create a situation where personal injury or death may occur. Should Buyer purchase or use SCILLC products for any such unintended or unauthorized application, Buyer shall indemnify and hold SCILLC and its officers, employees, subsidiaries, affiliates, and distributors harmless against all claims, costs, damages, and expenses, and reasonable attorney fees arising out of, directly or indirectly, any claim of personal injury or death associated with such unintended or unauthorized use, even if such claim alleges that SCILLC was negligent regarding the design or manufacture of the part. SCILLC is an Equal Opportunity/Affirmative Action Employer. This literature is subject to all applicable copyright laws and is not for resale in any manner.

PUBLICATION ORDERING INFORMATION

LITERATURE FULFILLMENT:

Literature Distribution Center for ON Semiconductor
P.O. Box 5163, Denver, Colorado 80217 USA
Phone: 303-675-2175 or 800-344-3860 Toll Free USA/Canada
Fax: 303-675-2176 or 800-344-3867 Toll Free USA/Canada
Email: orderlit@onsemi.com

N. American Technical Support: 800-282-9855 Toll Free
USA/Canada
Europe, Middle East and Africa Technical Support:
Phone: 421 33 790 2910
Japan Customer Focus Center
Phone: 81-3-5773-3850

ON Semiconductor Website: www.onsemi.com
Order Literature: <http://www.onsemi.com/orderlit>
For additional information, please contact your local
Sales Representative