

6

5

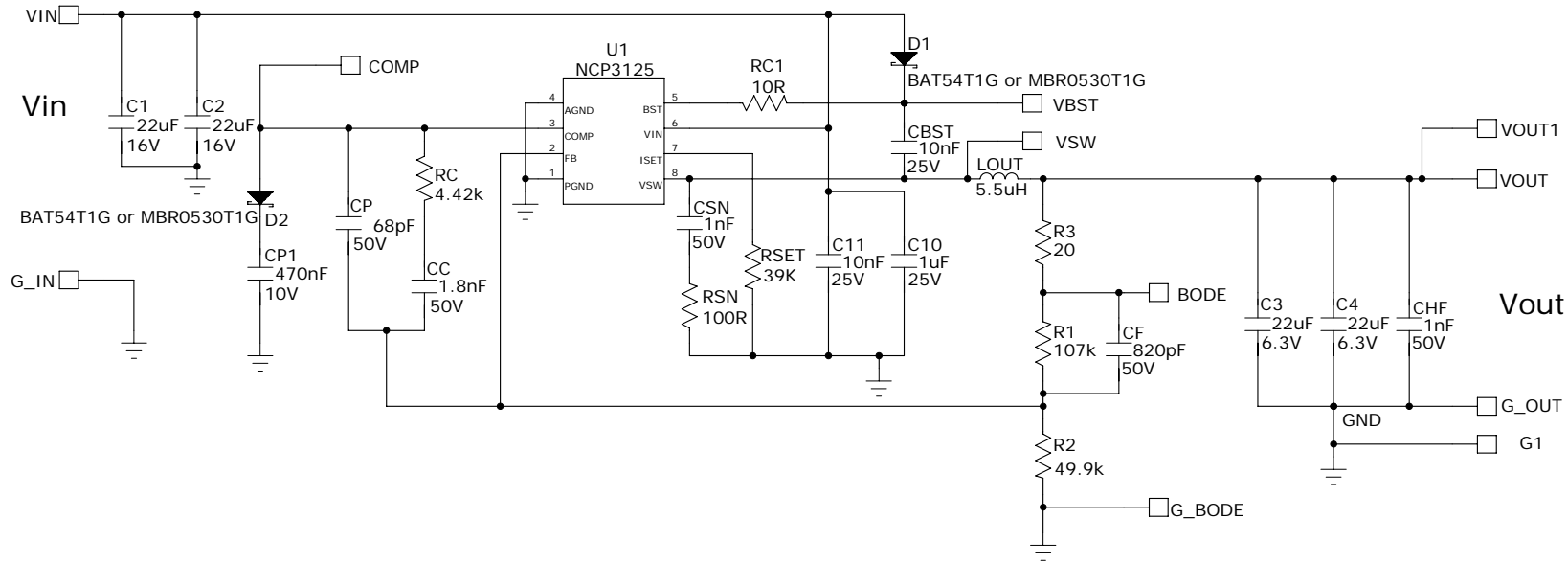
4

3


2

1

REVISION RECORD			
LTR	ECO NO:	APPROVED:	DATE:



COMPANY:				ON Semiconductor			
TITLE:				NCP3125 Ceramic Reference Design 1			
DRAWN:	DATED:	CODE:	SIZE:	DRAWING NO:	REV:		
Bryan W McCoy	12/05/10	< Code >	B	< Drawing Number >	1		
CHECKED:	DATED:	RELEASED:	DATED:	SCALE:	SHEET: 1F		1
		< Released By >	< Release Date >	< Scale >			


ON Semiconductor
 1-800-282-9855
<http://www.onsemi.com>
ON_LOGO