

6

5

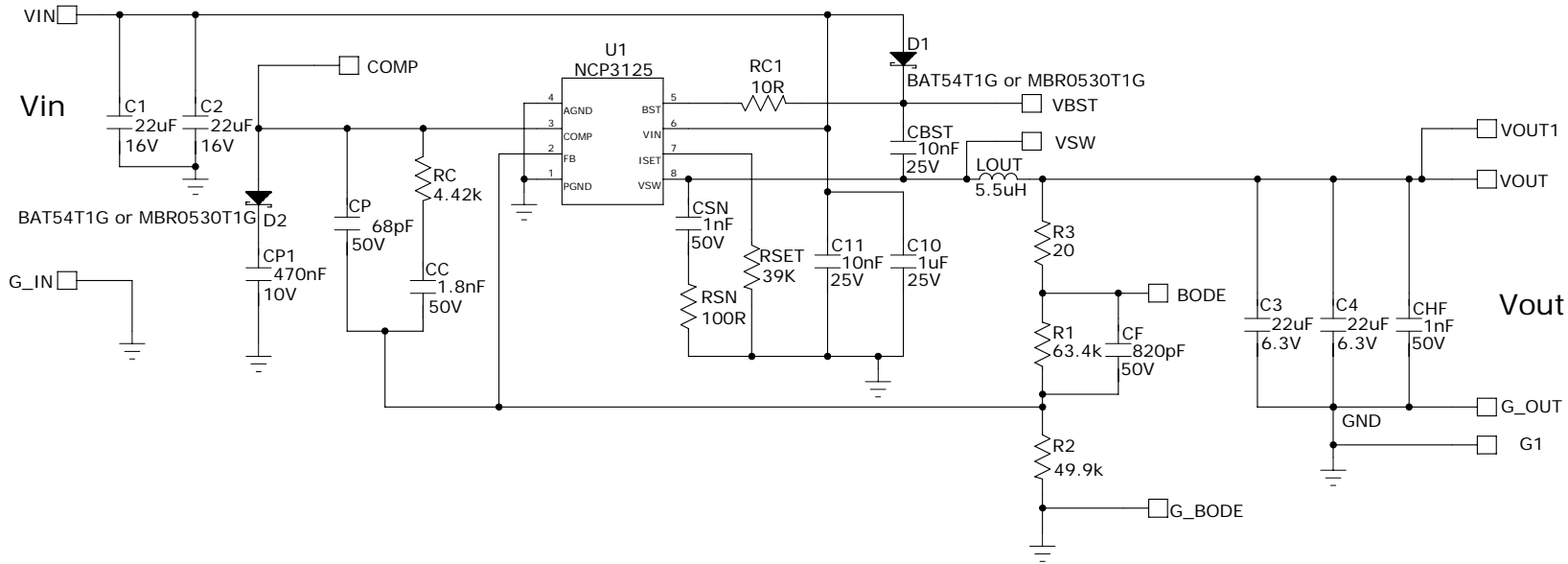
4

3


2

1

| REVISION RECORD | | | |
|-----------------|---------|-----------|-------|
| LTR | ECO NO: | APPROVED: | DATE: |
| | | | |
| | | | |
| | | | |



| | | | |
|---|-------------------------|------------------|--------------------------------|
| COMPANY: ON Semiconductor | | | |
| TITLE: NCP3126 Ceramic Reference Design 1 | | | |
| DRAWN: Bryan W McCoy | DATED: 12/05/10 | CODE: < Code > | REV: 1 |
| CHECKED: | DATED: | SIZE: B | DRAWING NO: < Drawing Number > |
| QUALITY CONTROL: < QC By > | DATED: < QC Date > | SCALE: < Scale > | |
| RELEASED: < Released By > | DATED: < Release Date > | SHEET: 1 OF 1 | |


ON Semiconductor
 1-800-282-9855
<http://www.onsemi.com>
ON_LOGO