

6

5

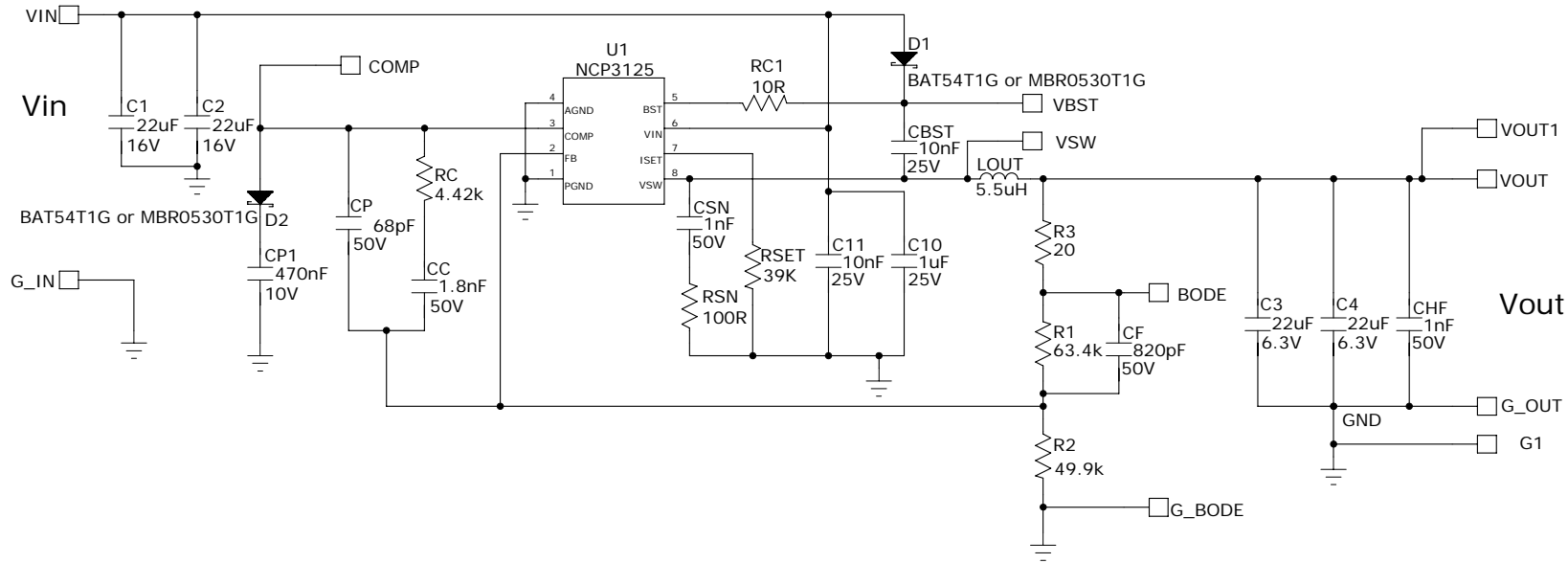
4

3


2

1

REVISION RECORD			
LTR	ECO NO:	APPROVED:	DATE:



COMPANY: ON Semiconductor			
TITLE: NCP3126 Ceramic Reference Design 1			
DRAWN: Bryan W McCoy	DATED: 12/05/10	CODE: < Code >	REV: 1
CHECKED:	DATED:	SIZE: B	DRAWING NO: < Drawing Number >
QUALITY CONTROL: < QC By >	DATED: < QC Date >	SCALE: < Scale >	
RELEASED: < Released By >	DATED: < Release Date >	SHEET: 1F 1	


**ON Semiconductor**  
 1-800-282-9855  
 http://www.onsemi.com  
ON\_LOGO