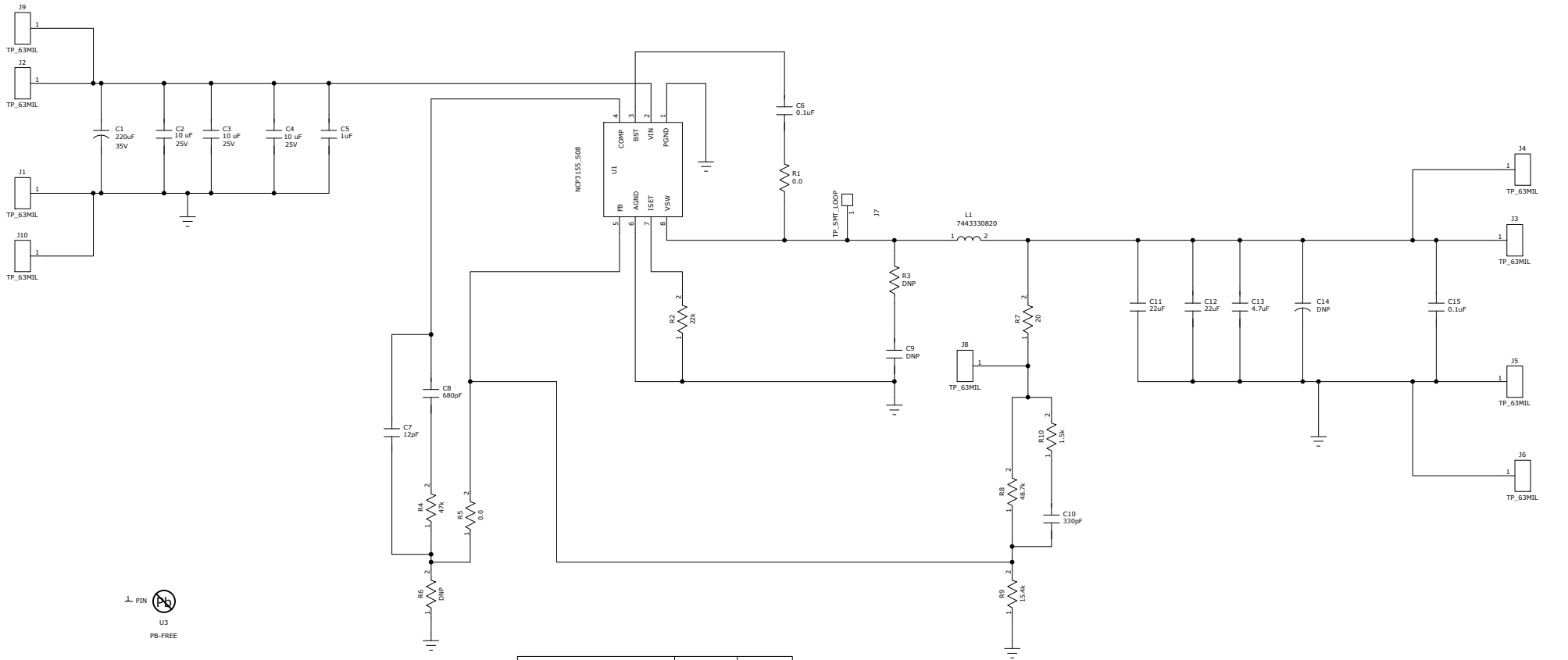


REVISION RECORD			
LTR	ECO NO:	APPROVED:	DATE:



U3

 PB-FREE

ON Semiconductor

 1-800-282-9855

<http://www.onsemi.com>

	R5	R6
STANDARD OTA FEEDBACK	OPEN	SHORT
TYPE 3 FEEDBACK	SHORT	OPEN

COMPANY: On Semiconductor			
TITLE: NCP3155 4 layer Eval Board			
CODE:	SIZE: C	DRAWING NO: SCH-NCP3020	REV: 2
SCALE: 1:1		SHEET: 1 of 2	

DRAWN: Jim Hill	DATED: 3/10/2010
CHECKED:	DATED:
RELEASED:	DATED:

www.BDTIC.com/ON/