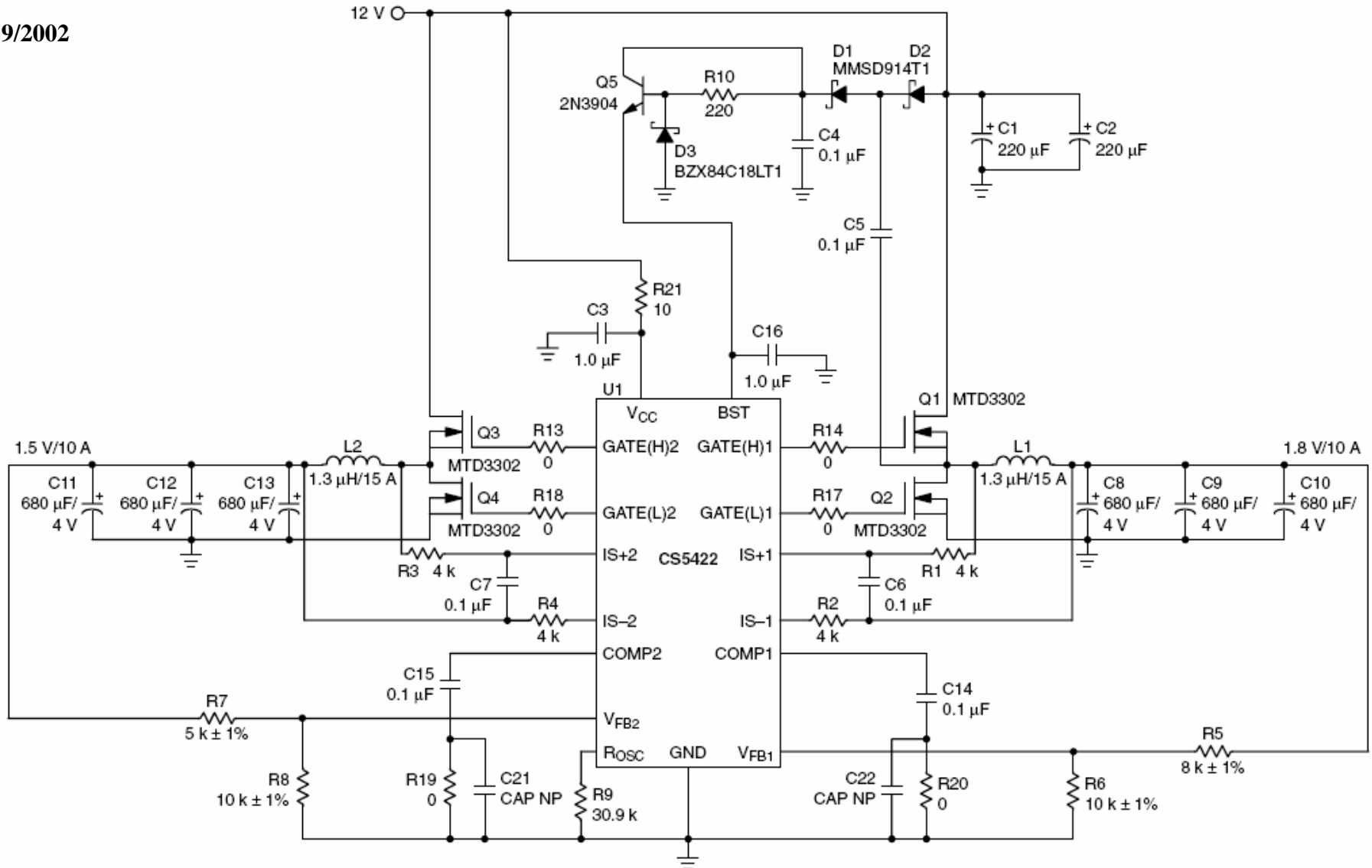


Schematic for the NCP5422EVB Evaluation Board

ON Semiconductor®



12/19/2002



www.BDTIC.com/ON/