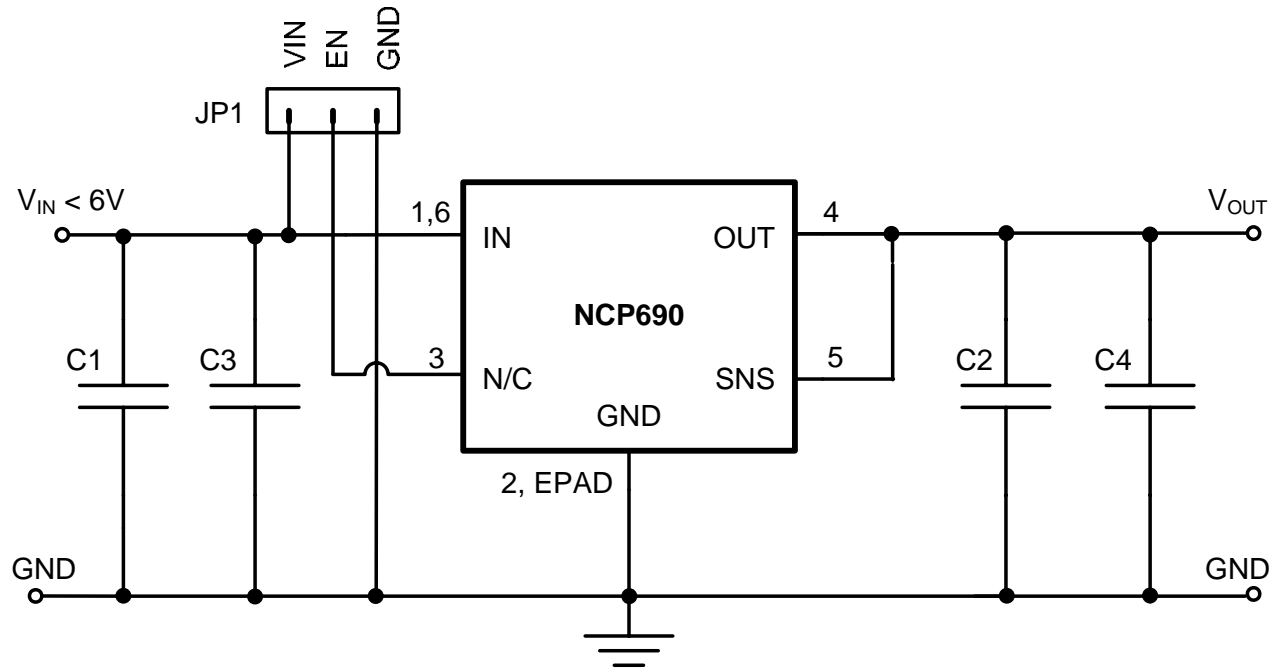




Schematic for the NCP690MN33T2GEVB Evaluation Board



NCP690, 1A, Fixed Output Voltage LDO Schematic View