

QFN16EVB

Evaluation Board Manual for High Frequency QFN-16

Prepared by: Casey Stys
ON Semiconductor



ON Semiconductor®

<http://onsemi.com>

EVALUATION BOARD MANUAL

Introduction

ON Semiconductor has developed the QFN16EVB evaluation board for its high-performance devices packaged in the 16-Pin QFN. This evaluation board was designed to provide a flexible and convenient platform to quickly evaluate, characterize and verify the operation of various ON Semiconductor products. Many QFN16EVBs are dedicated with a device already installed, and can be ordered from www.onsemi.com at the specific device web page.

This evaluation board manual contains:

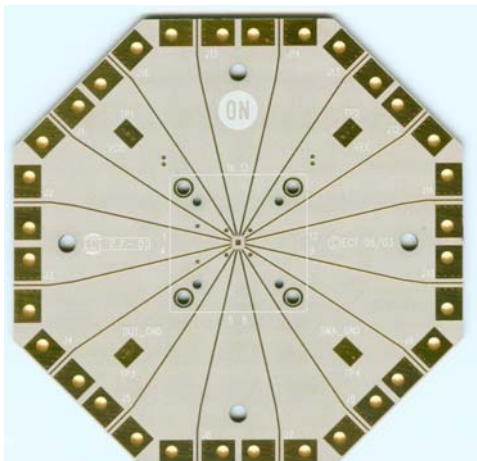
- Information on 16-lead QFN Evaluation Board
- Assembly Instructions
- Appropriate Lab Setup
- Bill of Materials

This user's manual provides detailed information on board contents, layout and its use. It should be used in conjunction with an appropriate ON Semiconductor device

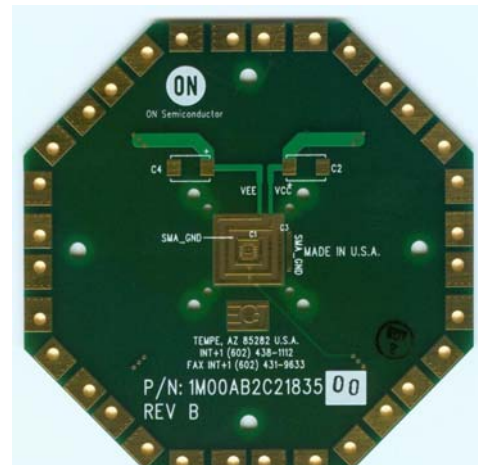
datasheet located at www.onsemi.com. The datasheet contains the technical device specifications.

Board Layout

The QFN16 Evaluation Board provides a high bandwidth, 50 Ω controlled impedance environment and is implemented in four layers. The first layer or primary trace layer is 0.008" thick Rogers RO4003 material, and is designed to have equal electrical length on all signal traces from the device under test (DUT) pins to the SMA connectors. The second layer is the 1.0 oz copper ground plane and is primarily dedicated for the SMA connector ground plane. FR4 dielectric material is placed between the second and third layers and between third and fourth layers. The third layer is also 1.0 oz copper plane. A portion of this layer is designated for the device V_{CC} and DUTGND power planes. The fourth layer is the secondary trace layer.



Top View



Bottom View

Figure 1. Top and Bottom View of the 16 QFN Evaluation Board

QFN16EVB

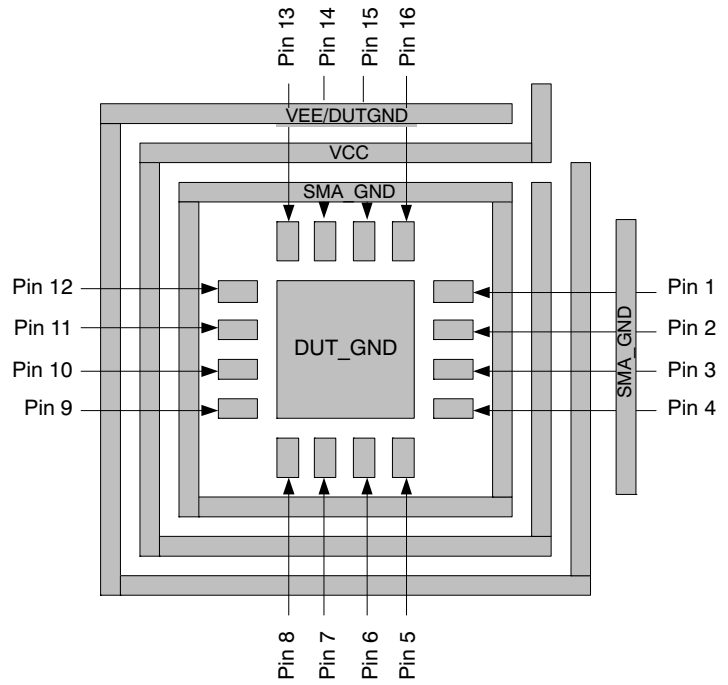
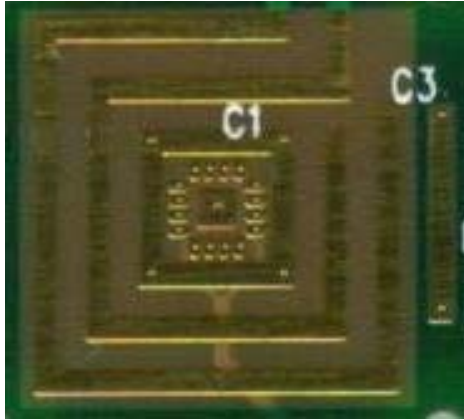


Figure 2. Enlarged Bottom View

Figure 3. Enlarged Bottom View of the Evaluation Board

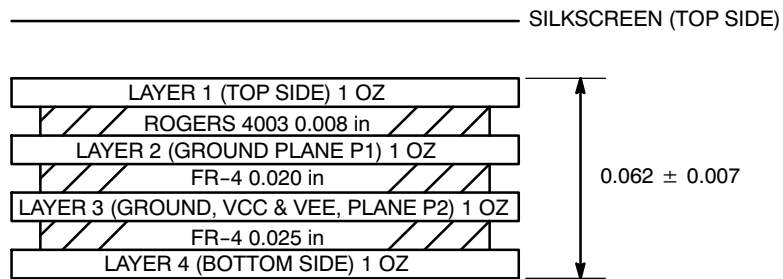
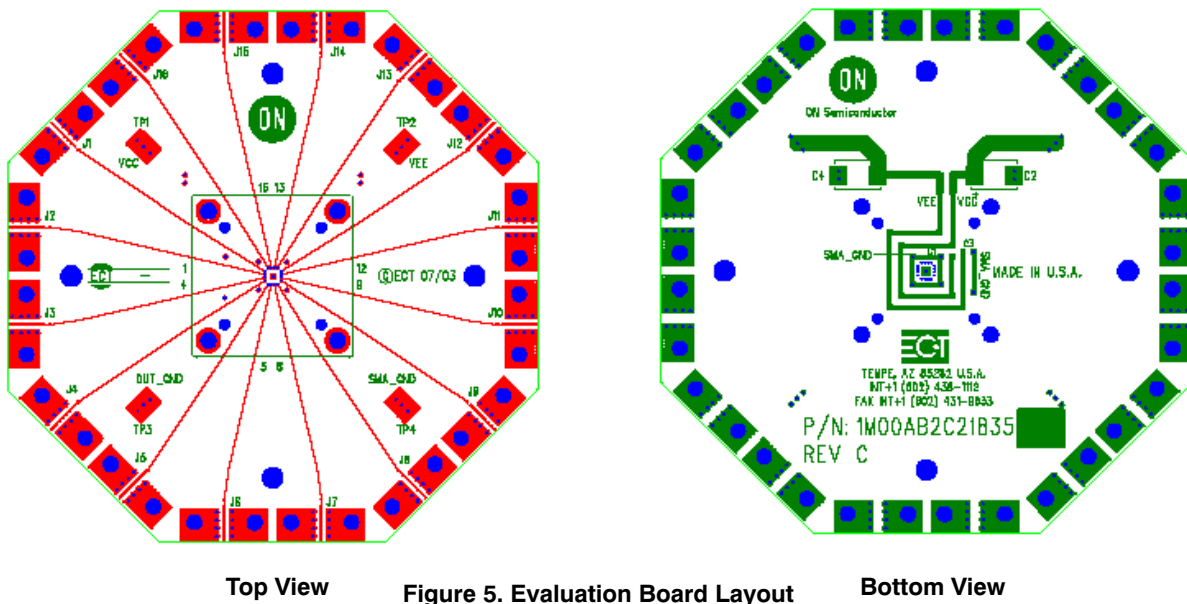


Figure 4. Evaluation Board Layout, 4 Layer

QFN16EVB



Evaluation Board Assembly Instructions

The QFN-16 evaluation board is designed for characterizing devices in a 50 Ω laboratory environment using high bandwidth equipment. Each signal trace on the board has a via at the DUT pin, which provides an option of placing a termination resistor on the board bottom, depending on the input/output configuration (see Table 1, Example Configuration List). Table 6 contains the Bill of Materials for this evaluation board.

The QFN16EVB was designed to accommodate a custom QFN-16 socket. Therefore, some external components are installed on the bottom side of the board.

Solder the Device on the Evaluation Board

The soldering of a device to the evaluation board can be accomplished by hand soldering or solder reflow techniques using solder paste. Make sure pin 1 of the device is located properly and all the pins are aligned to the footprint pads. Solder the QFN-16 device to the evaluation board. As mentioned earlier, many QFN16EVBS are dedicated with a device already installed, and can be ordered from onsemi.com at the specific device web page.

Connecting Power and Ground

On the top side of the evaluation board, solder the four surface mount test point clips (anvils) to the pads labeled V_{CC} , $V_{EE}/DUTGND$, $SMAGND$, and $ExPad$. $ExPad$ is connected to the exposed flag of the QFN package. For proper operation, the exposed flag is typically recommended to be tied to $V_{EE}/DUTGND$, the negative supply of the device.

The positive power supply connector is labeled V_{CC} . Depending on the device, the negative power supply nomenclature is labeled either GND or V_{EE} . To help avoid confusion with the use of this board, the negative supply

connector is labeled $V_{EE}/DUTGND$. $SMAGND$ is the ground for the SMA connectors and is not to be confused with the device ground, $V_{EE}/DUTGND$. $SMAGND$ and $DUTGND$ can be connected in single-supply applications. The power pin layout and typical connection of the evaluation board is shown in Figure 6.

It is recommended to add bypass capacitors to reduce unwanted noise from the power supplies. Connect 0.1 μ F capacitors from V_{CC} and $V_{EE}/DUTGND$ to $SMAGND$.

Output Loading / Termination

ECL/PECL/LVPECL Outputs

Most ECL outputs are open emitter and need to be DC loaded and AC terminated to $V_{CC} - 2.0$ V via a 50 Ω resistor. If no internal resistors are provided on the device, 0402 chip resistor pads are provided on the bottom side of the evaluation board to terminate the ECL driver. Solder the chip resistors to the bottom side of the board between the appropriate input device pads and the ground pads. If internal resistors are provided, the VT pins should be wired to $SMAGND$. (More information on termination is provided in AND8020).

For standard ECL lab setup and test, a split (dual) power supply is recommended enabling the 50 Ω internal impedance in the oscilloscope, or other measuring instrument, to be used as an ECL output load/termination. By offsetting $V_{CC} = +2.0$ V, $SMAGND = V_{CC} - 2.0$ V, ($SMAGND$ is the system ground, 0V); V_{CC} is 2.0 V, and $V_{EE}/DUTGND$ is -3.0 V, -1.3 V or -0.5 V; see Table 2, Power Supply Levels).

CML Outputs

Likewise, CML outputs need to be terminated to V_{CC} via a 50 Ω resistor. If no internal resistors are provided on the

QFN16EVB

device, 0402 chip resistor pads are provided on the bottom side of the evaluation board to terminate the CML driver. If internal resistors are provided, the V_T pins should be wired to V_{CC} .

For CML lab setup and test, operation with negative supply voltages is recommended to enable the $50\ \Omega$ internal impedance in the oscilloscope, or other measuring instrument, to be used as a CML output termination; ($V_{CC} = 0\ \text{V}$, $SMAGND = 0\ \text{V}$, and $V_{EE/DUTGND} = -5.0\ \text{V}$, $-3.3\ \text{V}$, $-2.5\ \text{V}$, or $-1.8\ \text{V}$).

LVDS Outputs

LVDS outputs are typically terminated with $100\ \Omega$ across the Q/\bar{Q} output pair. The $100\ \Omega$ can be added on the QFN16EVB, but it is not provided on the board, since there are several user dependent LVDS output measurement techniques.

For LVDS lab setup and test, a single supply is typically used, ie. $V_{CC} = 3.3\ \text{V}$ and $DUTGND = 0\ \text{V}$.

Installing the SMA Connectors

Each configuration indicates the number of SMA connectors needed to populate an evaluation board for a given device. Each input and output requires one SMA connector. Install all the required SMA connectors onto the board and solder the center signal conductor pin to the board on J1 through J16. Please note that the alignment of the signal connector pin of the SMA connector to the metal trace on the board can influence lab results. The launch and reflection of the signals are largely influenced by imperfect alignment and soldering of the SMA connector.

Validating the Assembled Board

After assembling the evaluation board, it is recommended to perform continuity checks on all soldered areas before commencing with the evaluation process. Time Domain Reflectometry (TDR) is another highly recommended validation test.

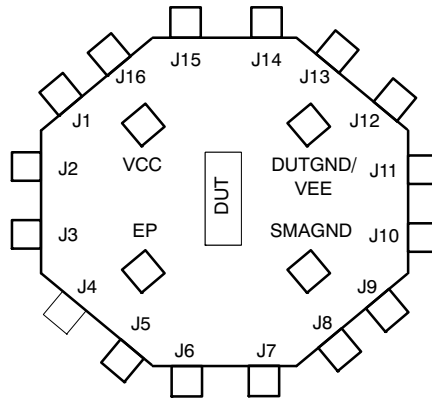
QFN16EVB

Table 1. EXAMPLE CONFIGURATION (Device NB6L14M)

Device	J1	J2	J3	J4	J5	J6	J7	J8	J9	J10	J11	J12	J13	J14	J15	J16
Pin #	1	2	3	4	5	6	7	8	9	10	11	12	13	14	15	16
Connector	Yes	Yes	Yes	Yes	Yes	Yes	No	Yes	Yes	Yes	Yes	Yes	No	No	Yes	Yes
Wire	No	No	No	No	No	No	V _{CC}	No	No	No	No	No	GND	V _{CC}	No	No

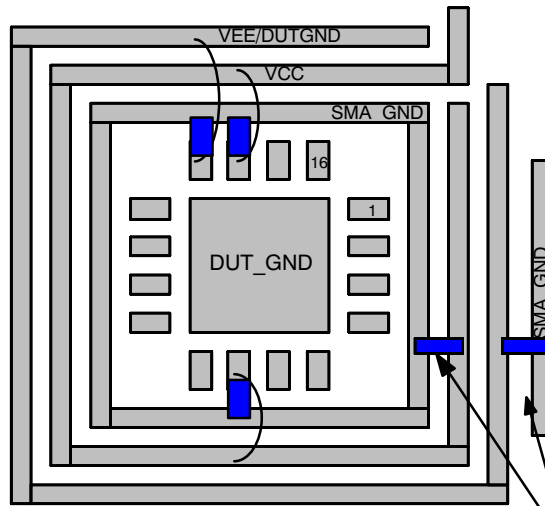
NOTE: Dut_GND = Exposed Pad and should be tied to V_{EE}/DUTGND.

CONFIGURATIONS



Top View

(Verify Pinout on Datasheet)

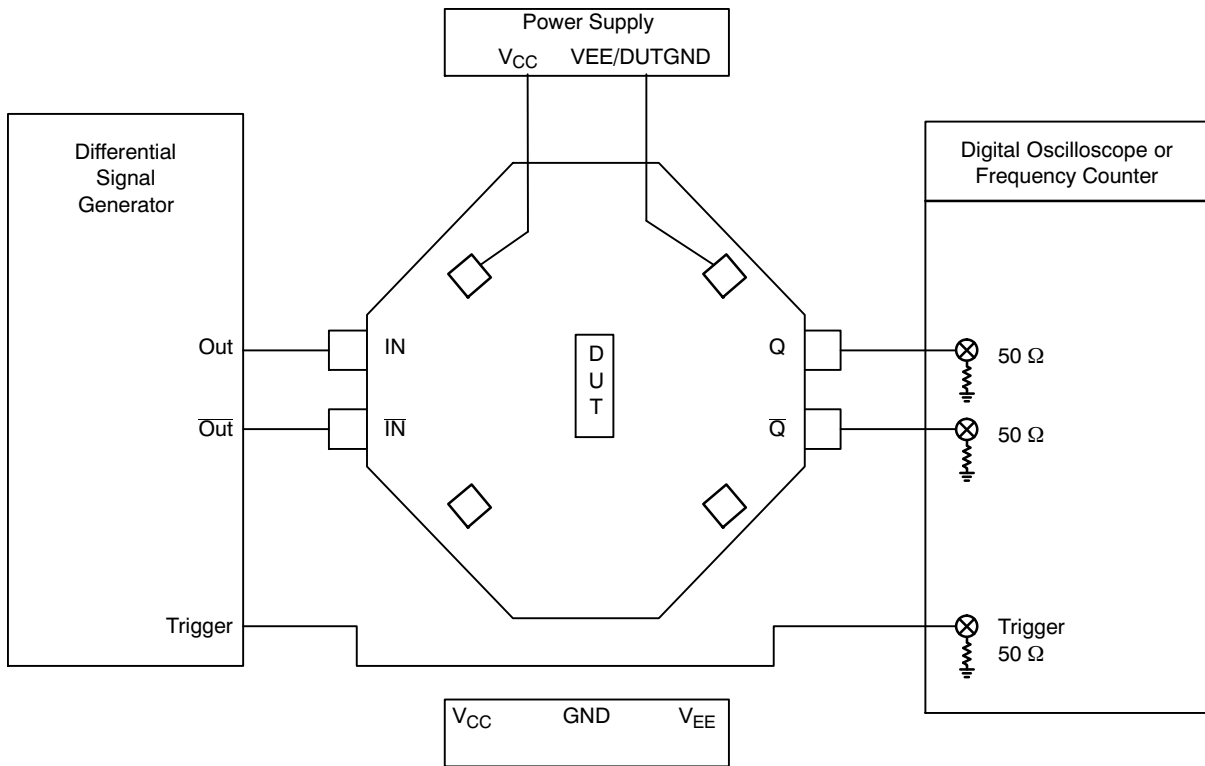


Bottom View

Install 0.1 μ F Decoupling Capacitor Here and At Package Pins

Figure 6. Example of Power Supply Configuration for Device (i.e. NB6L14M)

QFN16EVB



1. Connect appropriate power supplies to V_{CC} , $V_{EE}/DUTGND$, SMA GND.
2. Connect a signal generator to the input SMA connectors. Setup input signal according to the device data sheet.
3. Connect a test measurement device to the device output SMA connectors.

NOTE: The test measurement device must contain 50 Ω termination.

Figure 7. Lab Setup

Table 2. POWER SUPPLY LEVELS

Outputs	Power Supply	V_{CC}	$V_{EE}/DUTGND$	SMAGND	Exposed Pad (typ)
ECL/LVPECL	2.5 V	2.0 V	-0.5 V	0 V	$V_{EE}/DUTGND$
ECL/LVPECL	3.3 V	2.0 V	-1.3 V	0 V	$V_{EE}/DUTGND$
ECL/PECL	5.0 V	2.0 V	-3.0 V	0 V	$V_{EE}/DUTGND$
CML	1.8 V	0 V	-1.8 V	0 V	$V_{EE}/DUTGND$
CML	2.5 V	0 V	-2.5 V	0 V	$V_{EE}/DUTGND$
CML	3.3 V	0 V	-3.3 V	0 V	$V_{EE}/DUTGND$
CML	5.0 V	0 V	-5.0 V	0 V	$V_{EE}/DUTGND$
LVDS	2.5 V	2.5 V	0 V	0 V	$V_{EE}/DUTGND$
LVDS	3.3 V	3.3 V	0 V	0 V	$V_{EE}/DUTGND$

Table 3. NB6xxxM, CML OUTPUTS “SPLIT” POWER SUPPLY CONFIGURATION

Device Pin Power Supply Converter	“Spilt” Power Supply
V _{CC}	V _{CC} = 0 V
SMAGND	V _{TT} = 0 V
DUTGND	DUTGND = -2.5 V or -3.3 V

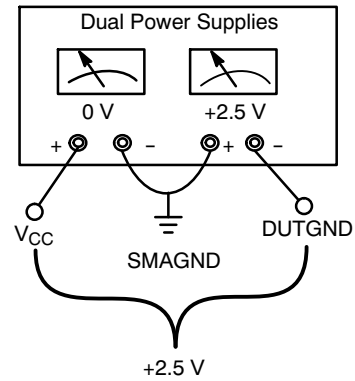


Figure 8. “Split” or Dual Power Supply Connections

Table 4. NB6xxx, LVPECL OUTPUTS “SPLIT” POWER SUPPLY CONFIGURATION

Device Pin Power Supply Converter	“Spilt” Power Supply
V _{CC}	V _{CC} = +2.0 V
SMAGND	V _{TT} = 0 V
DUTGND	DUTGND = -0.5 V or -1.3 V

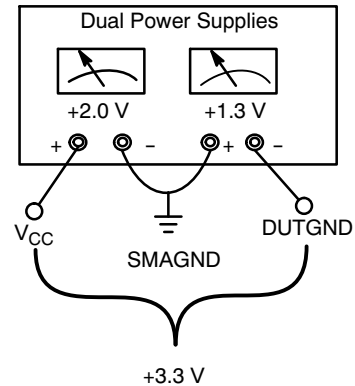


Figure 9. “Split” or Dual Power Supply Connections

Table 5. NB6xxxS, LVDS OUTPUTS SINGLE POWER SUPPLY CONFIGURATION

Device Pin Power Supply Converter	Single Power Supply
V _{CC}	V _{CC} = +3.3 V
SMAGND	V _{TT} = 0 V
DUTGND	DUTGND = 0 V

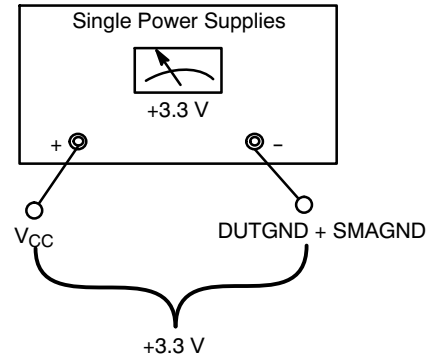


Figure 10. Single Power Supply Connections

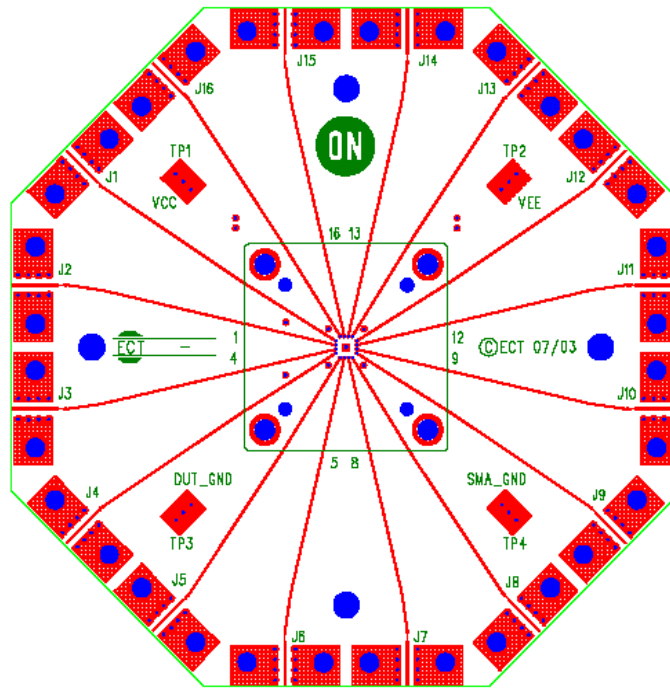
QFN16EVB

Table 6. BILL OF MATERIALS

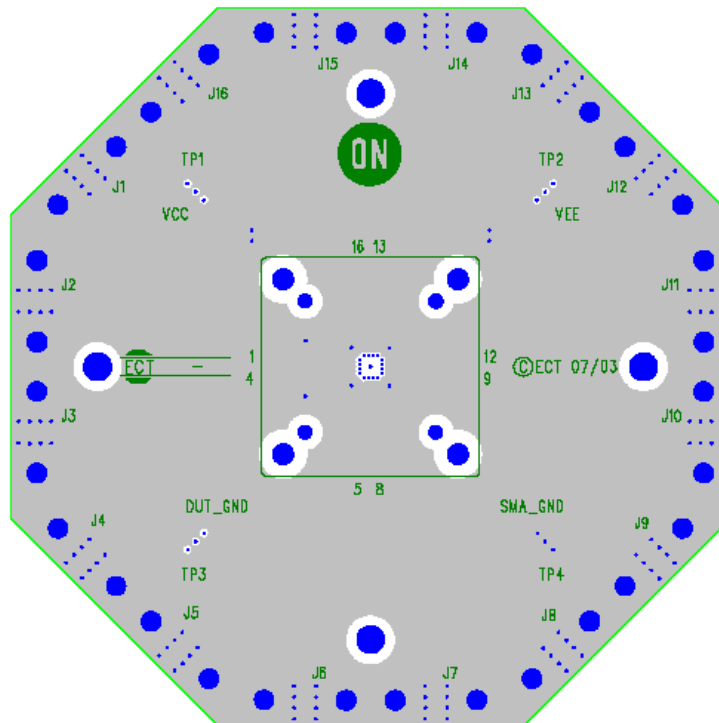
Components	Manufacturer	Description	Part Number	Web Site
SMA Connector	Rosenberger	SMA Connector, Side Launch, Gold Plated	32K243-40ME3	http://www.rosenberger.de http://www.rosenbergerna.com
Surface Mount Test Points	Keystone*	SMT Miniature Test Point	5015	http://www.keyelco.com
		SMT Compact Test Point	5016	
Chip Capacitor	AVC Corporation*	0603 0.01 μ F \pm 10%	06035C103KAT2A	http://www.avxcorp.com
		0603 0.1 μ F \pm 10%	0603C104KAT2A	
Chip Resistor	Panasonic*	0402 50 Ω \pm 1% Precision Thick Film Chip Resistor	ERJ-2RKF49R9X	http://www.panasonic.com
Evaluation Board	ON Semiconductor	QFN 16 Evaluation Board	ECLQFN16EVB	http://www.onsemi.com
Device Samples	ON Semiconductor	QFN 16 Package Device	Various	http://www.onsemi.com

*Components are available through most distributors, i.e. www.newark.com, www.digikey.com

QFN16EVB



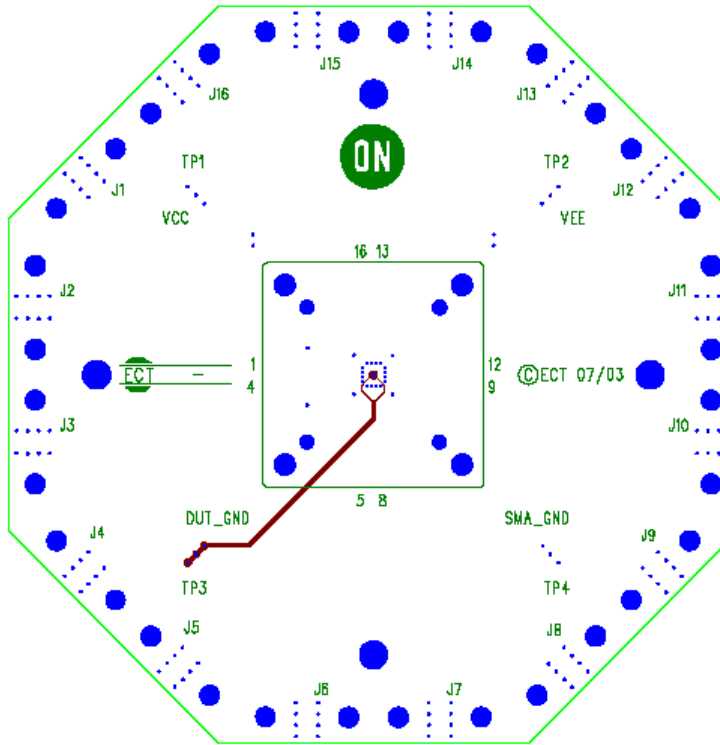
Top Layer



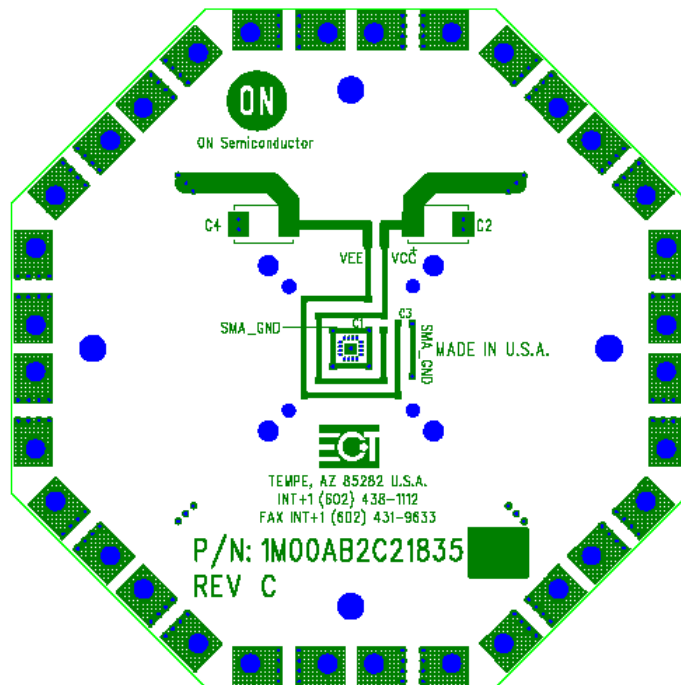
Second Layer (SMA_GND Plane)

Figure 11. Gerber Files

QFN16EVB



Third Layer (DUT_GND Trace)



Bottom Layer

Figure 12. Gerber Files

QFN16EVB

ON Semiconductor and **ON** are registered trademarks of Semiconductor Components Industries, LLC (SCILLC). SCILLC reserves the right to make changes without further notice to any products herein. SCILLC makes no warranty, representation or guarantee regarding the suitability of its products for any particular purpose, nor does SCILLC assume any liability arising out of the application or use of any product or circuit, and specifically disclaims any and all liability, including without limitation special, consequential or incidental damages. "Typical" parameters which may be provided in SCILLC data sheets and/or specifications can and do vary in different applications and actual performance may vary over time. All operating parameters, including "Typicals" must be validated for each customer application by customer's technical experts. SCILLC does not convey any license under its patent rights nor the rights of others. SCILLC products are not designed, intended, or authorized for use as components in systems intended for surgical implant into the body, or other applications intended to support or sustain life, or for any other application in which the failure of the SCILLC product could create a situation where personal injury or death may occur. Should Buyer purchase or use SCILLC products for any such unintended or unauthorized application, Buyer shall indemnify and hold SCILLC and its officers, employees, subsidiaries, affiliates, and distributors harmless against all claims, costs, damages, and expenses, and reasonable attorney fees arising out of, directly or indirectly, any claim of personal injury or death associated with such unintended or unauthorized use, even if such claim alleges that SCILLC was negligent regarding the design or manufacture of the part. SCILLC is an Equal Opportunity/Affirmative Action Employer. This literature is subject to all applicable copyright laws and is not for resale in any manner.

PUBLICATION ORDERING INFORMATION

LITERATURE FULFILLMENT:

Literature Distribution Center for ON Semiconductor
P.O. Box 5163, Denver, Colorado 80217 USA
Phone: 303-675-2175 or 800-344-3860 Toll Free USA/Canada
Fax: 303-675-2176 or 800-344-3867 Toll Free USA/Canada
Email: orderlit@onsemi.com

N. American Technical Support: 800-282-9855 Toll Free
USA/Canada
Europe, Middle East and Africa Technical Support:
Phone: 421 33 790 2910
Japan Customer Focus Center
Phone: 81-3-5773-3850

ON Semiconductor Website: www.onsemi.com
Order Literature: <http://www.onsemi.com/orderlit>
For additional information, please contact your local
Sales Representative

www.BDTIC.com/ON/

QFN16EVB/D