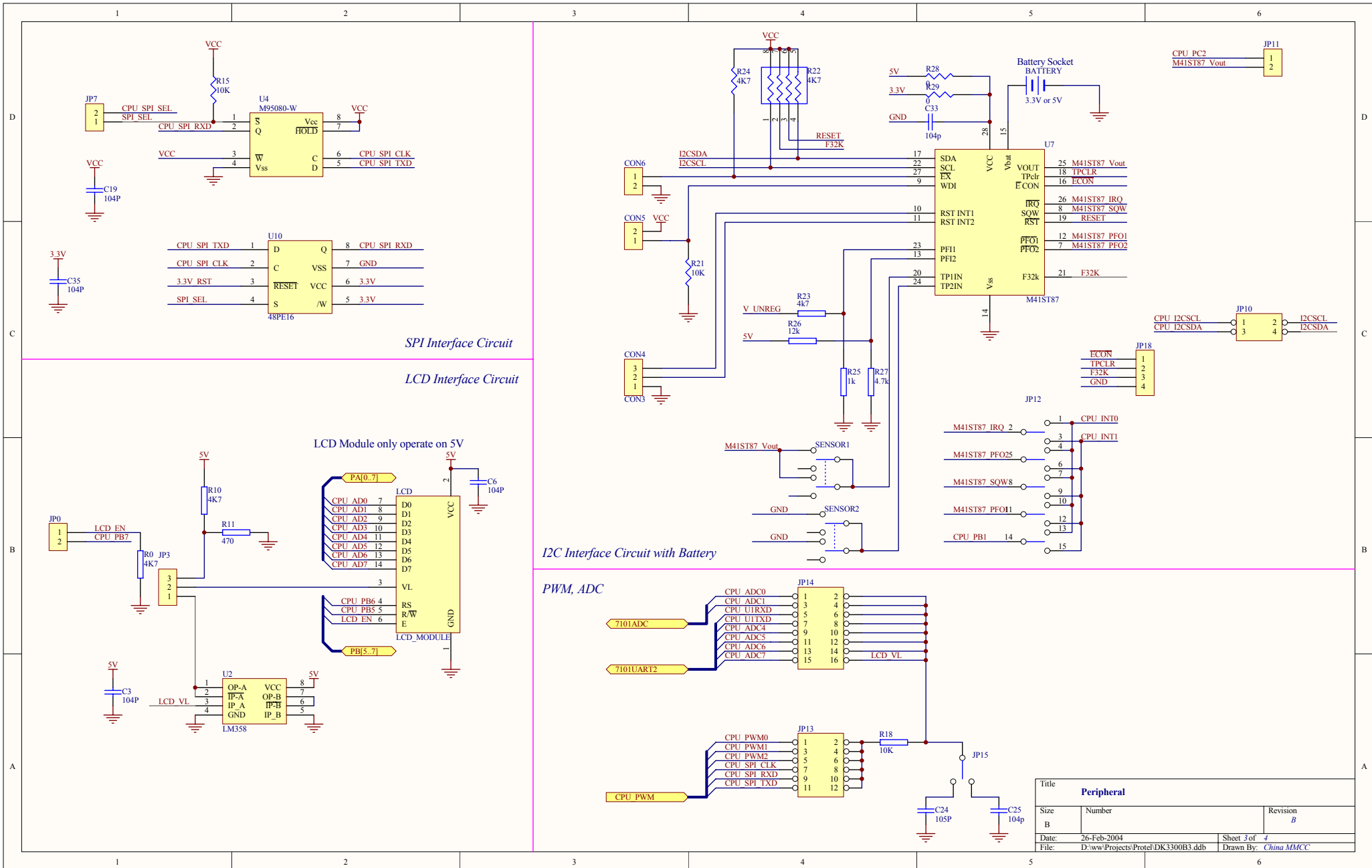
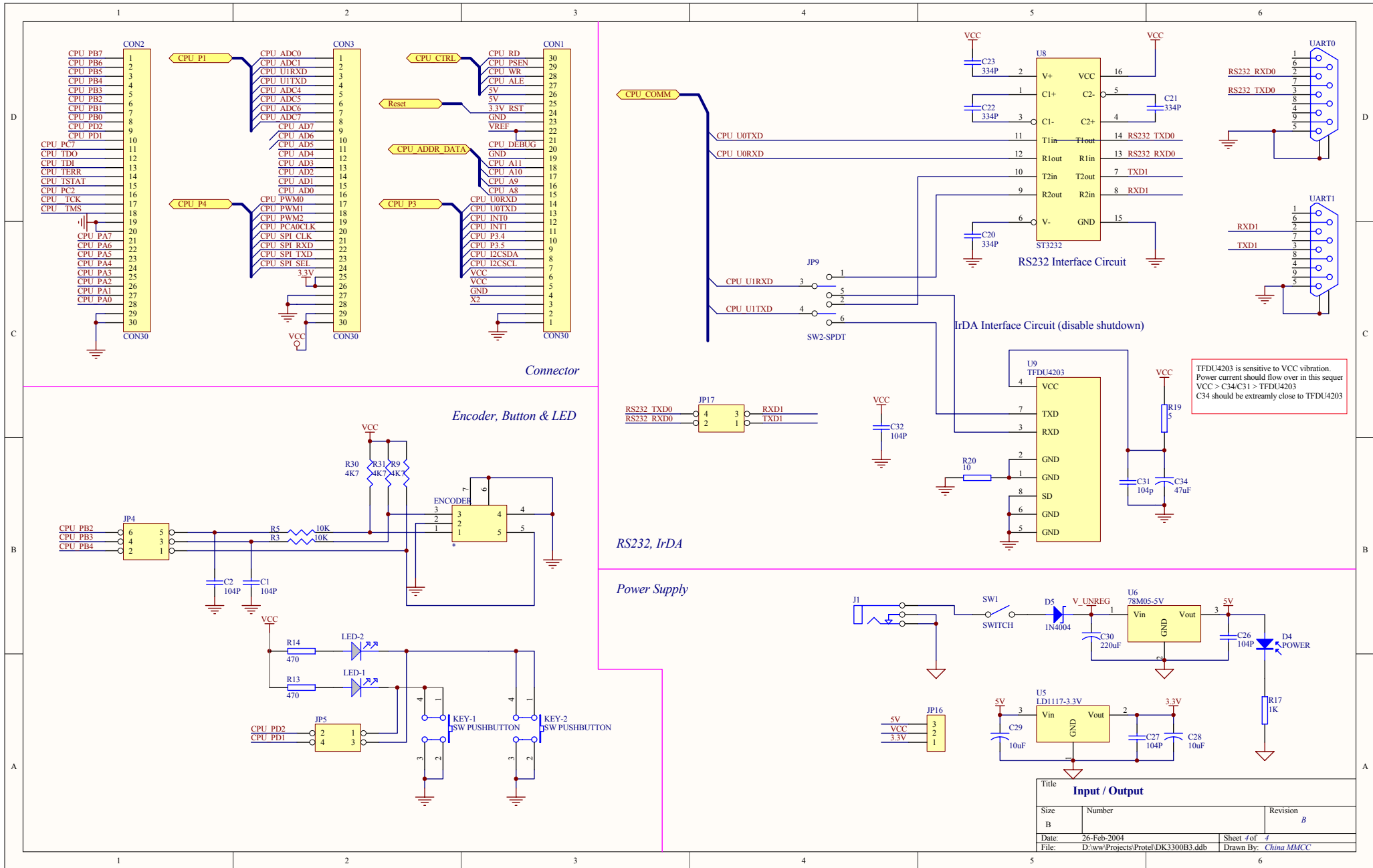


Title		
MCU		
Size	Number	Revision
B		B
Date:	26-Feb-2004	Sheet 2 of 4
File:	D:\www\Projects\Protel\DK3300B3.ddb	Drawn By: China MMCC





Input / Output		
Size	Number	Revision
B		B
Date:	26-Feb-2004	Sheet 4 of 4
File:	D:\ww\Projects\Protel\DK3300B3.ddb	Drawn By: China MMCC