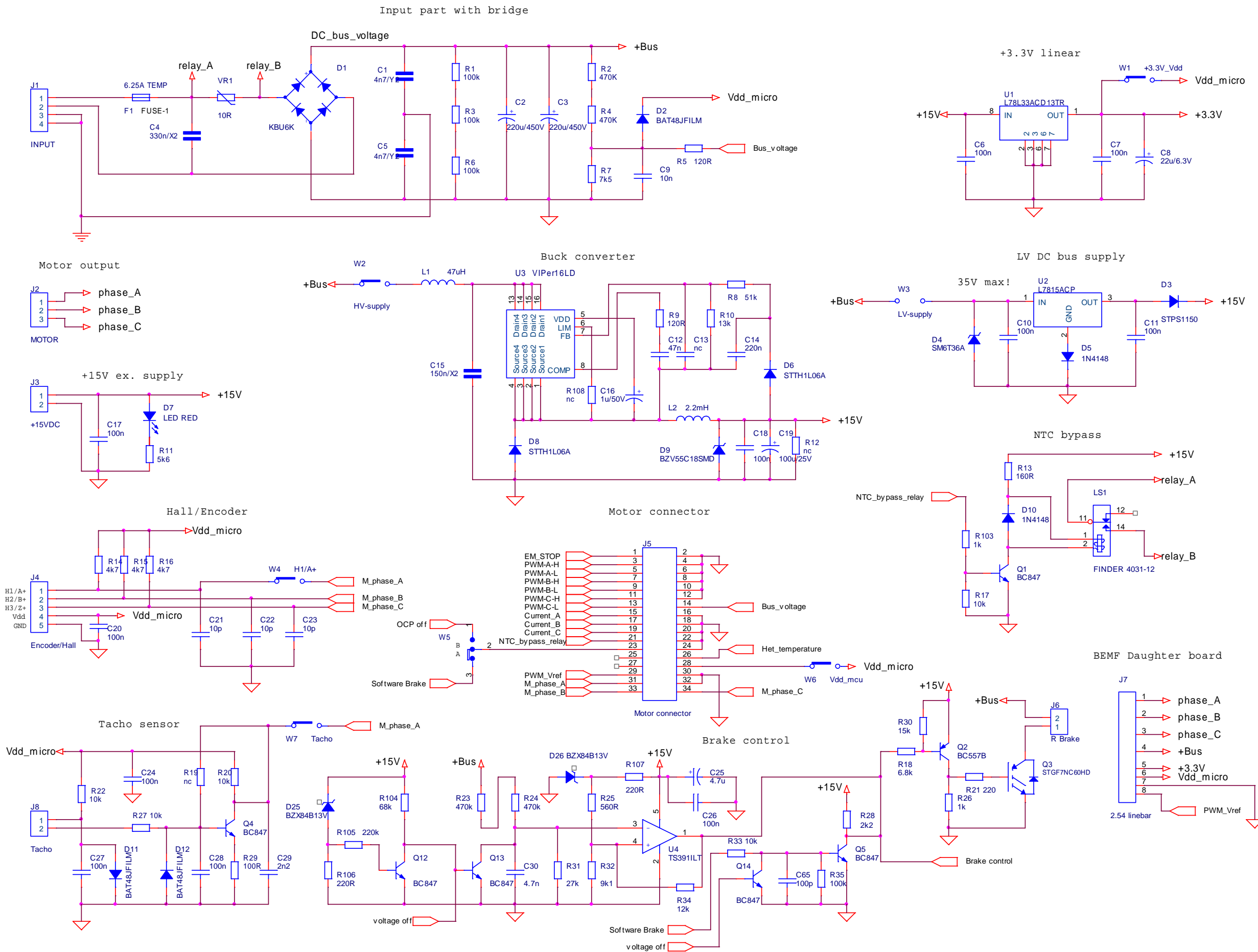
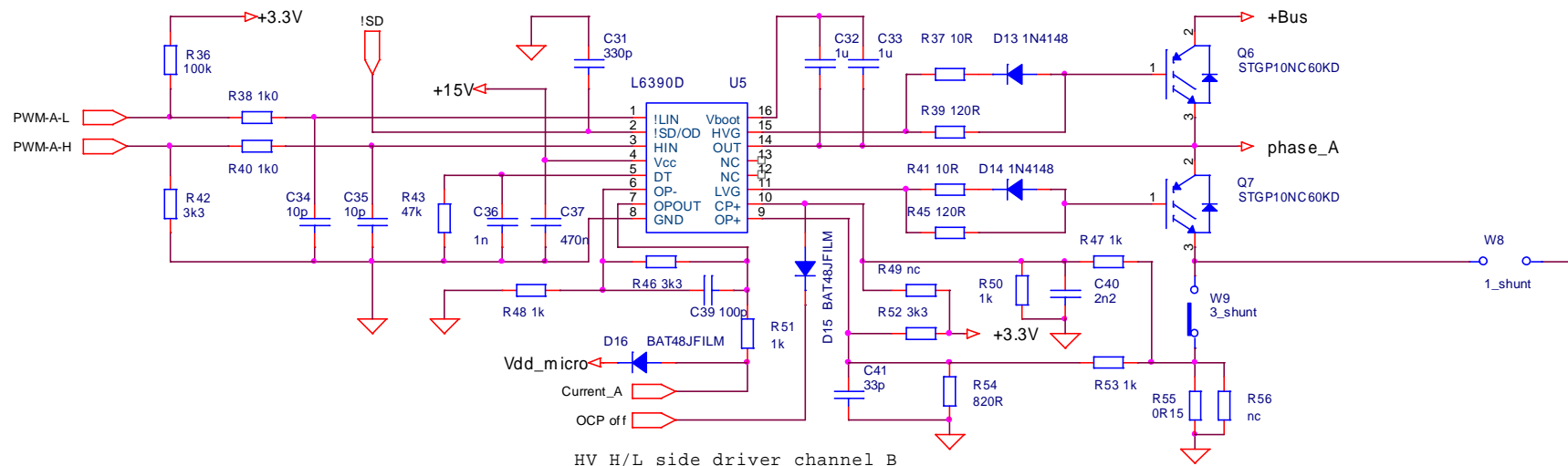


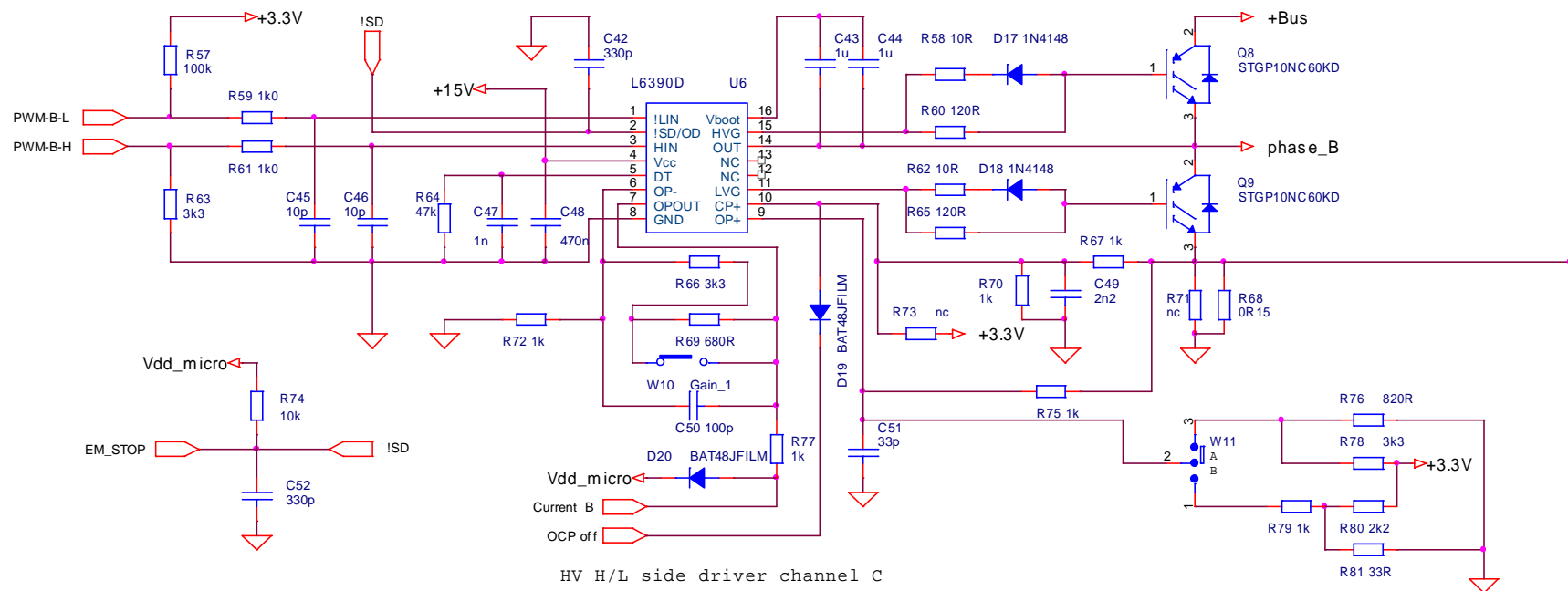
STEVAL-IHM023V1



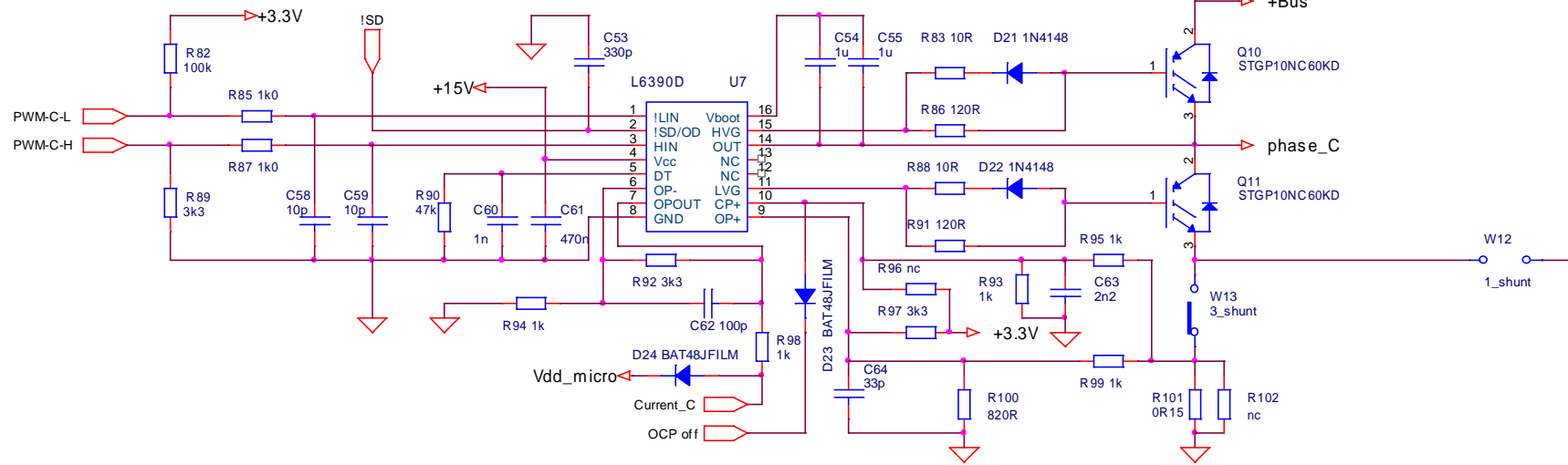
HV H/L side driver channel A



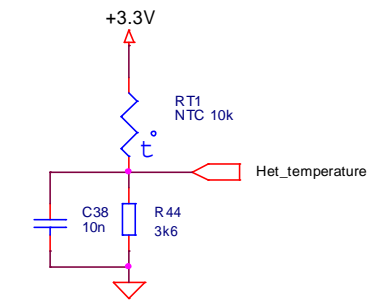
HV H/L side driver channel B



HV H/L side driver channel C



Heatsink temperature



Test pins

- TP1 → phase_A
- TP2 → phase_B
- TP3 → phase_C
- TP4 → PWMA-L
- TP5 → PWMA-H
- TP6 → PWM-B-L
- TP7 → PWM-B-H
- TP8 → PWM-C-L
- TP9 → PWM-C-H
- TP10 → Current_A
- TP11 → Current_B
- TP12 → Current_C
- TP13 → M_phase_A
- TP14 → M_phase_B
- TP15 → M_phase_C
- TP16 → Bus_voltage
- TP17 → Brake control
- TP18 → +3.3V
- TP19 → +15V
- TP20 → ref
- TP21 →

Het NTC comparator

