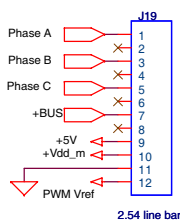
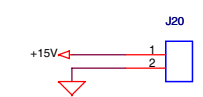


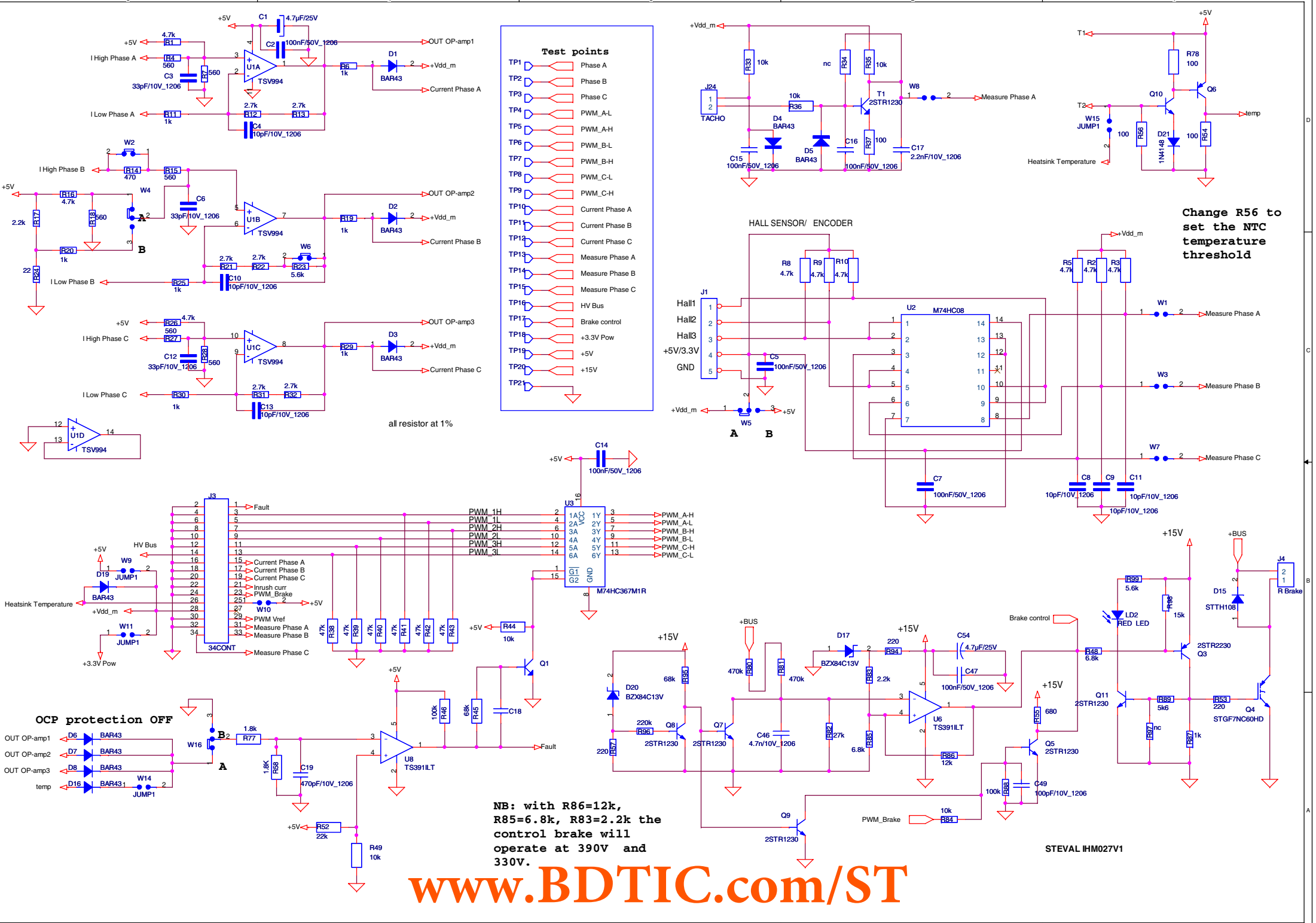
STEVAL IHM027V1



BEMF\_Daughter Board



[www.BDTIC.com/ST](http://www.BDTIC.com/ST)



**Test points**

- TP1 Phase A
- TP2 Phase B
- TP3 Phase C
- TP4 PWM\_A-L
- TP5 PWM\_A-H
- TP6 PWM\_B-L
- TP7 PWM\_B-H
- TP8 PWM\_C-L
- TP9 PWM\_C-H
- TP10 Current Phase A
- TP11 Current Phase B
- TP12 Current Phase C
- TP13 Measure Phase A
- TP14 Measure Phase B
- TP15 Measure Phase C
- TP16 HV Bus
- TP17 Brake control
- TP18 +3.3V Pow
- TP19 +5V
- TP20 +15V

**Change R56 to set the NTC temperature threshold**

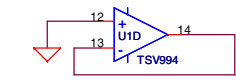
**NB: with R86=12k, R85=6.8k, R83=2.2k the control brake will operate at 390V and 330V.**

**www.BDTIC.com/ST**

STEVAl IH027V1

**OCP protection OFF**

- OUT OP-amp1 → D6 BAR43
- OUT OP-amp2 → D7 BAR43
- OUT OP-amp3 → D8 BAR43
- temp → D16 BAR43



all resistor at 1%

