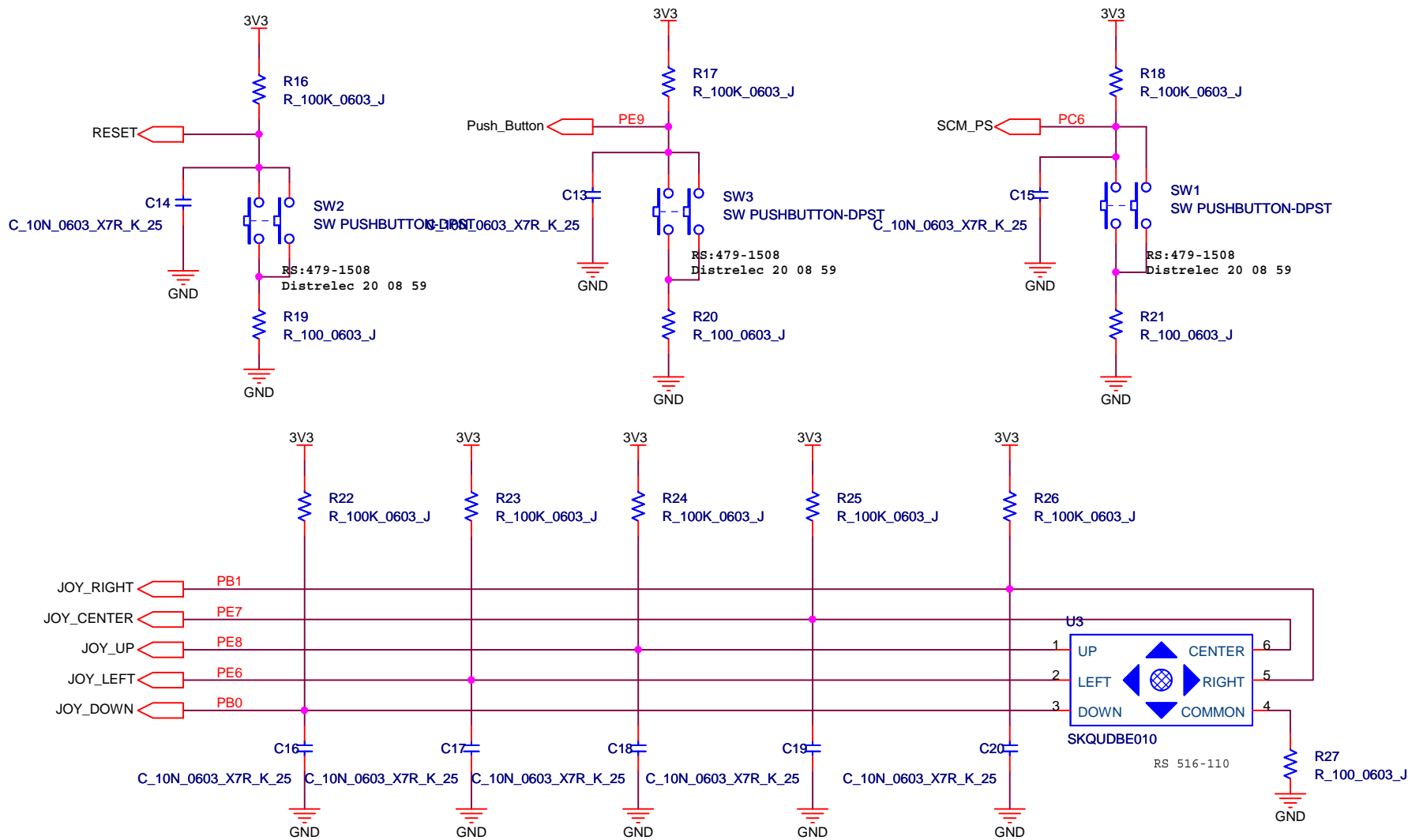


<b>STMicroelectronics</b>		
Title: SPIRIT1-Development Kit		
Size: B	Document Number: 01-2011	Rev: B.1
Date: Friday, November 18, 2011	Sheet: 1	of 11

MOTHERBOARD



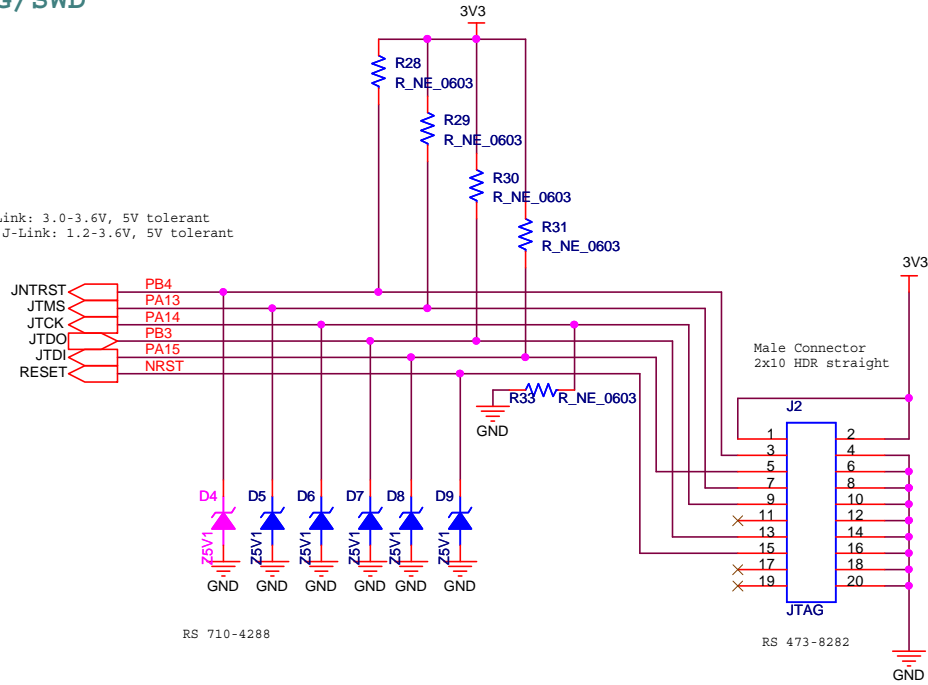
Title		
Buttons & Joystick		
Size	Document Number	Rev
A	<Doc>	B.1
Date:	Friday, November 18, 2011	Sheet 3 of 11

MOTHERBOARD

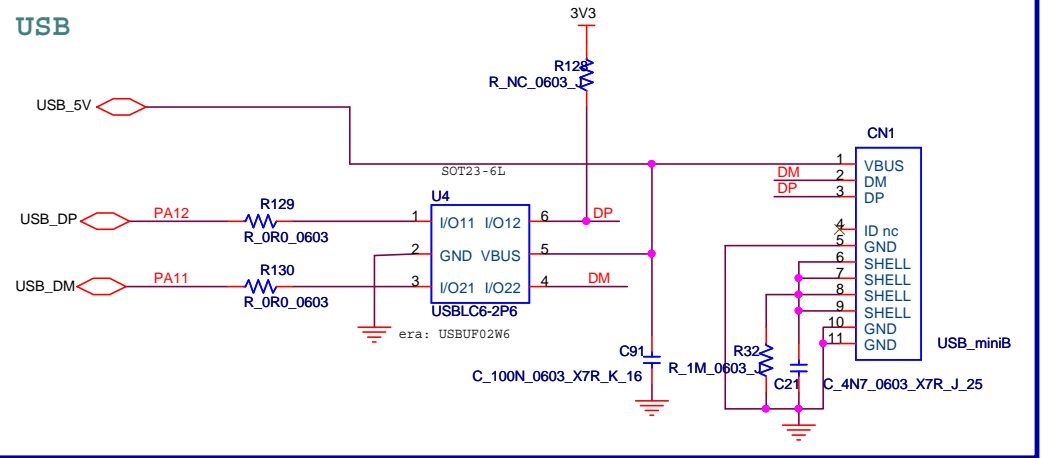
[www.BDTIC.com/ST](http://www.BDTIC.com/ST)

# JTAG/SWD

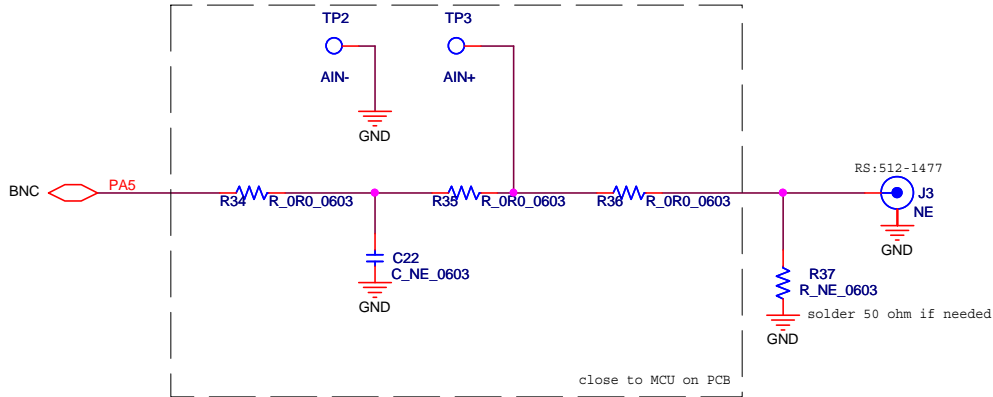
ST Link: 3.0-3.6V, 5V tolerant  
IAR J-Link: 1.2-3.6V, 5V tolerant



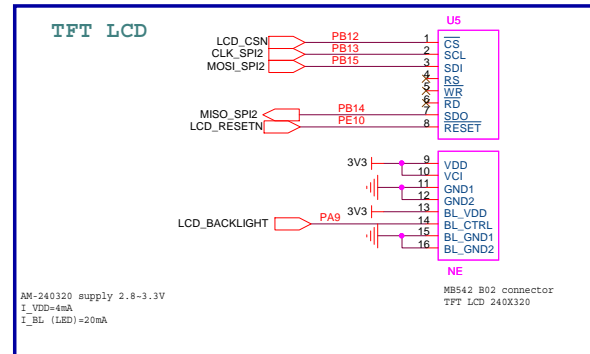
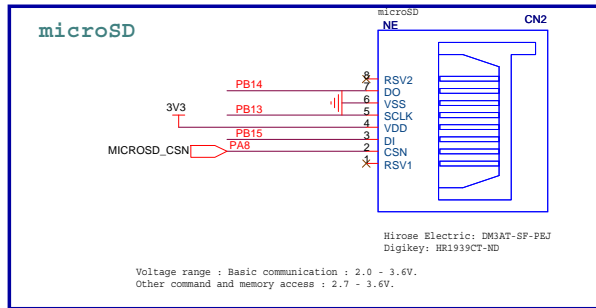
# USB



# BNC

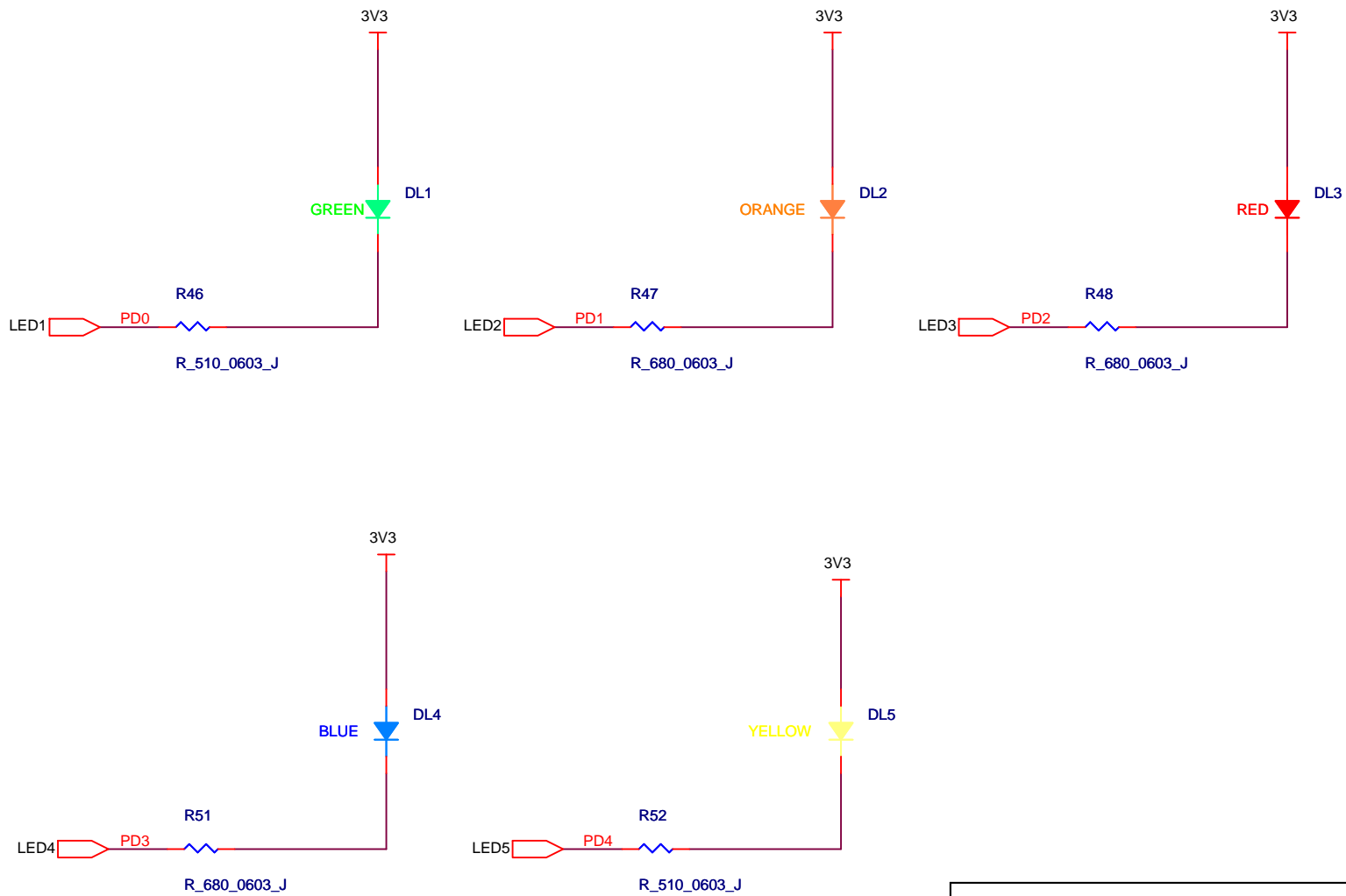


Title		Interface	
Size	Document Number	Rev	
Custom<Doc>		<RevCode>	
Date:	Monday, November 21, 2011	Sheet	4 of 11



Title	LCD-SDA_Card	
Size	Document Number	Rev
B	<Doc>	<Rev Code>
Date:	Monday, November 07, 2011	Sheet 5 of 11

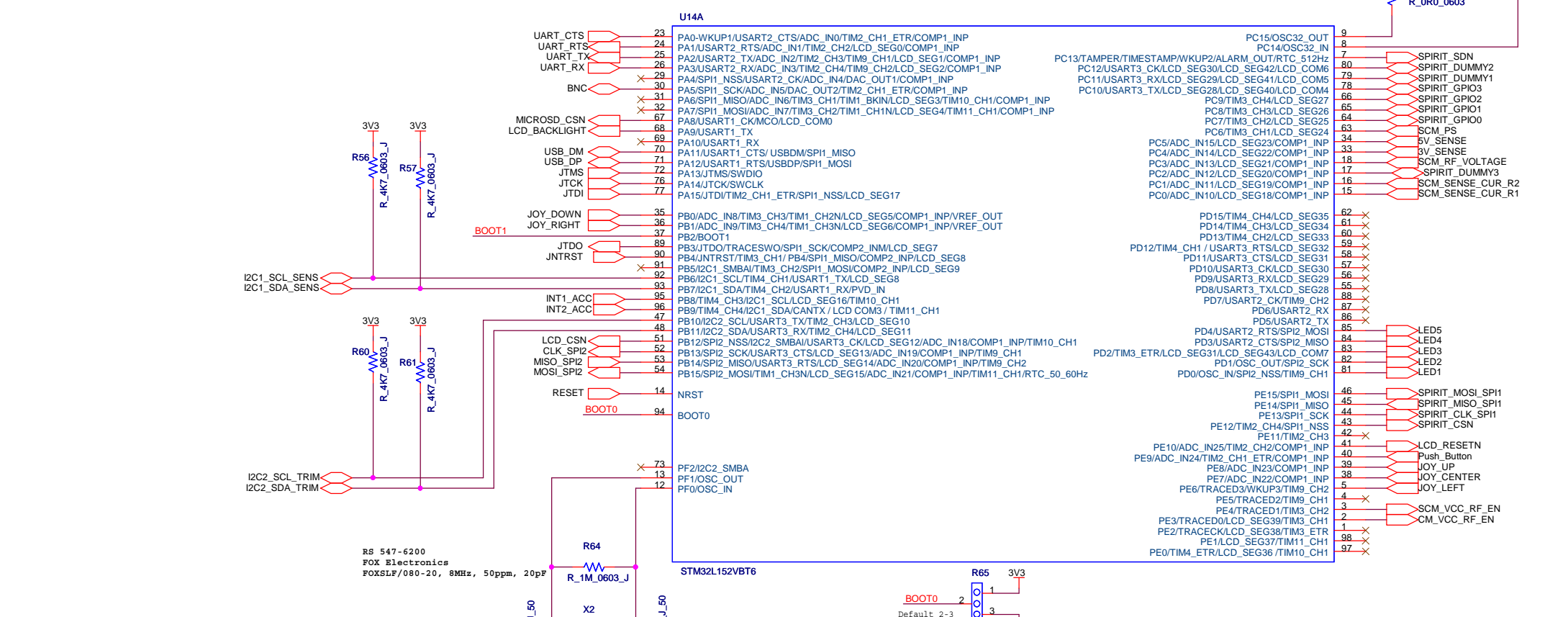
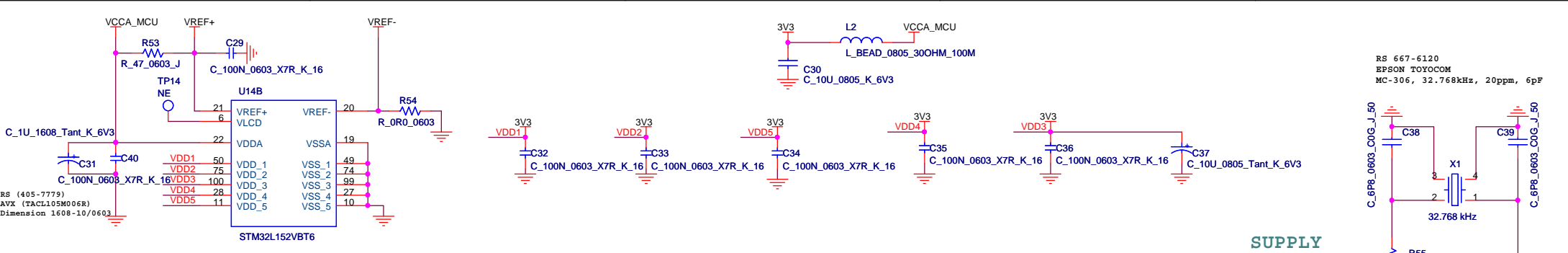
MOTHERBOARD



Title		
LEDS		
Size	Document Number	Rev
A	<Doc>	<RevCode>
Date:	Monday, November 07, 2011	Sheet 6 of 11

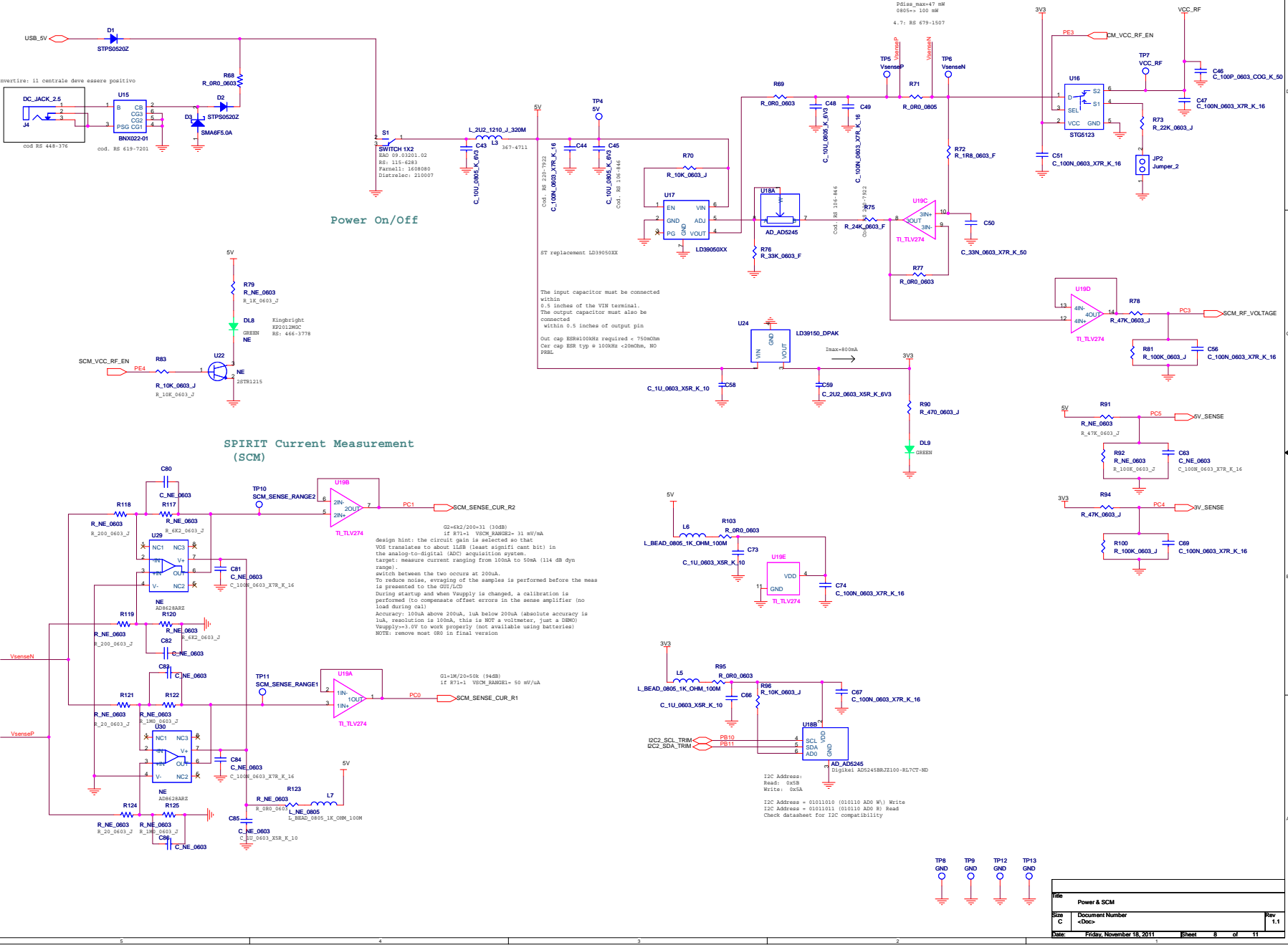
MOTHERBOARD

[www.BDTIC.com/ST](http://www.BDTIC.com/ST)



<b>STMicroelectronics</b>		
Title SPIRIT1-Development Kit		
Size	Document Number Custom01-2011	Rev B.1
Date:	Friday, November 18, 2011	Sheet 7 of 11

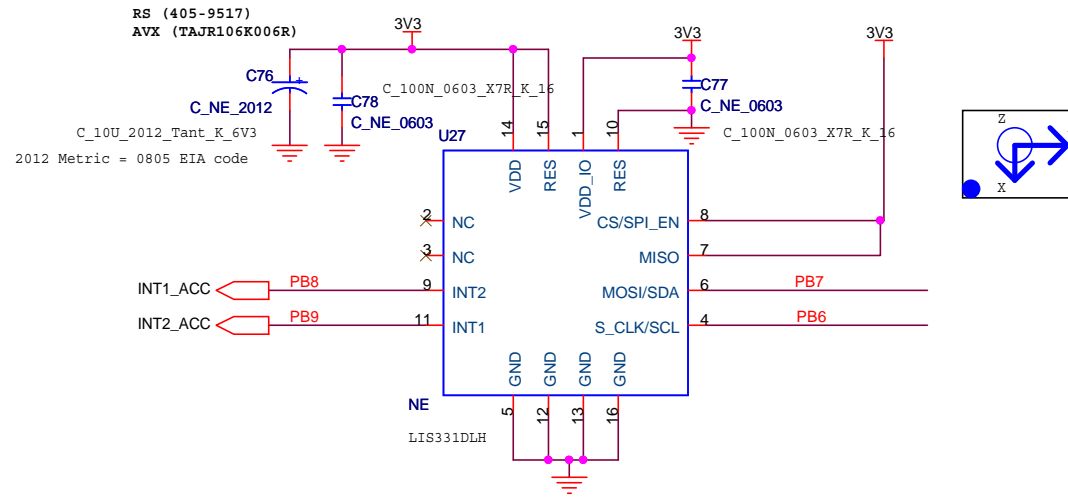
1.8V - 3.6V Power Management with 110dB current range measurement



Title		Power & SCM
Size	Document Number	Rev
C	<Doc>	1.1
Date	Friday, November 18, 2011	Sheet 8 of 11

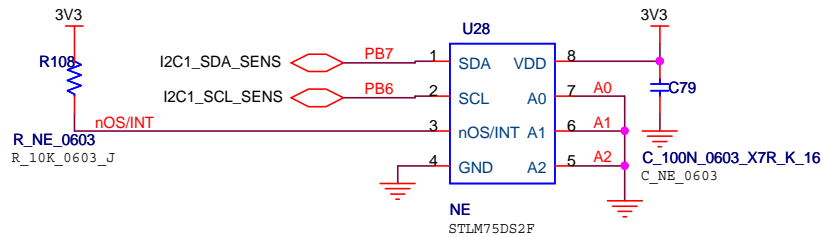
Tantalum AVX ESR max at 100 kHz = 6 Ohm  
 Ceramic Cap 0805 10uF 6V3 ESR typ at 100 kHz=0.1 Ohm!!!

## Accelerometer LIS331DLH



The Slave Address (SAD) associated to the LIS331DLH is 001100xb. SDO/SA0 pad can be used to modify less significant bit of the device address. If SA0 pad is connected to voltage supply, LSB is '1' (address 0011001b) else if SA0 pad is connected to ground, LSB value is '0' (address 0011000b). This solution permits to connect and address two different accelerometers to the same I2C lines.

## Temperature Sensor



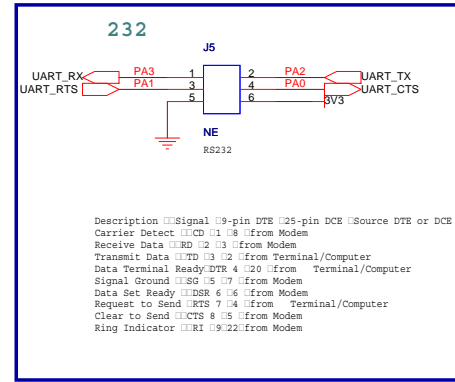
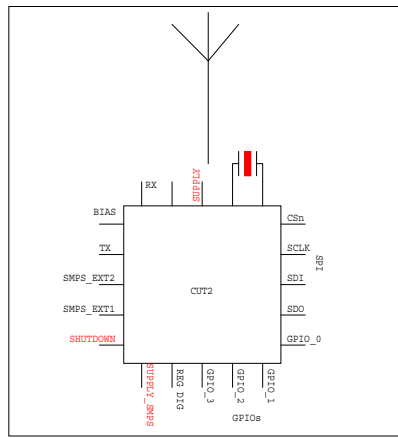
I2C Address:  
 Read: 0x91  
 Write: 0x90

I2C Address = 10010000 (1001A2A1A0W) Write  
 I2C Address = 10010001 (1001A2A1A0R) Read

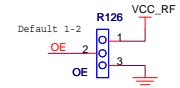
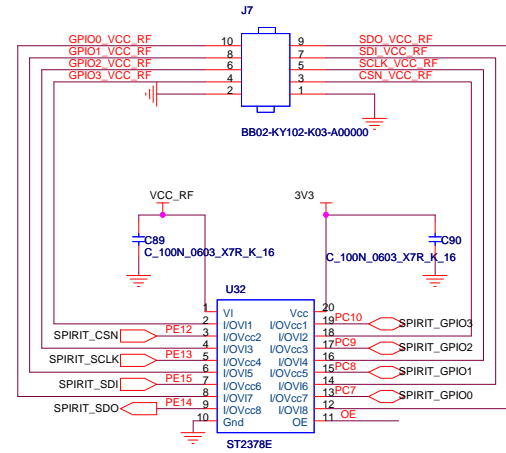
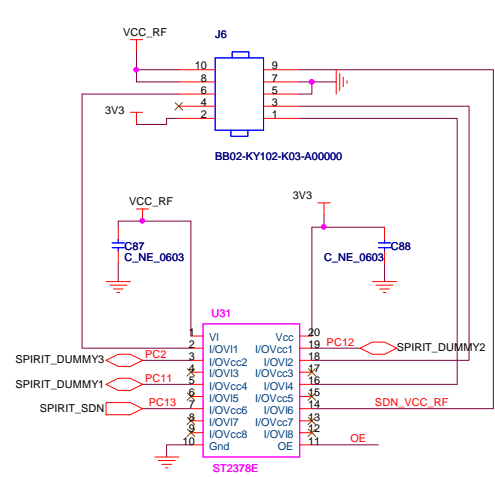
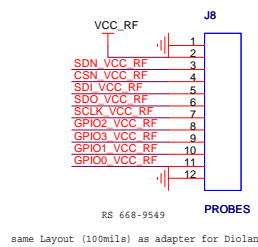
Title			Sensing		
Size	Document Number	Rev			
Custom	<Doc>	<RevCo			
Date:	Friday, November 18, 2011	Sheet	10	of	11



SPiRiT AND EXTENSION CONNECTORS



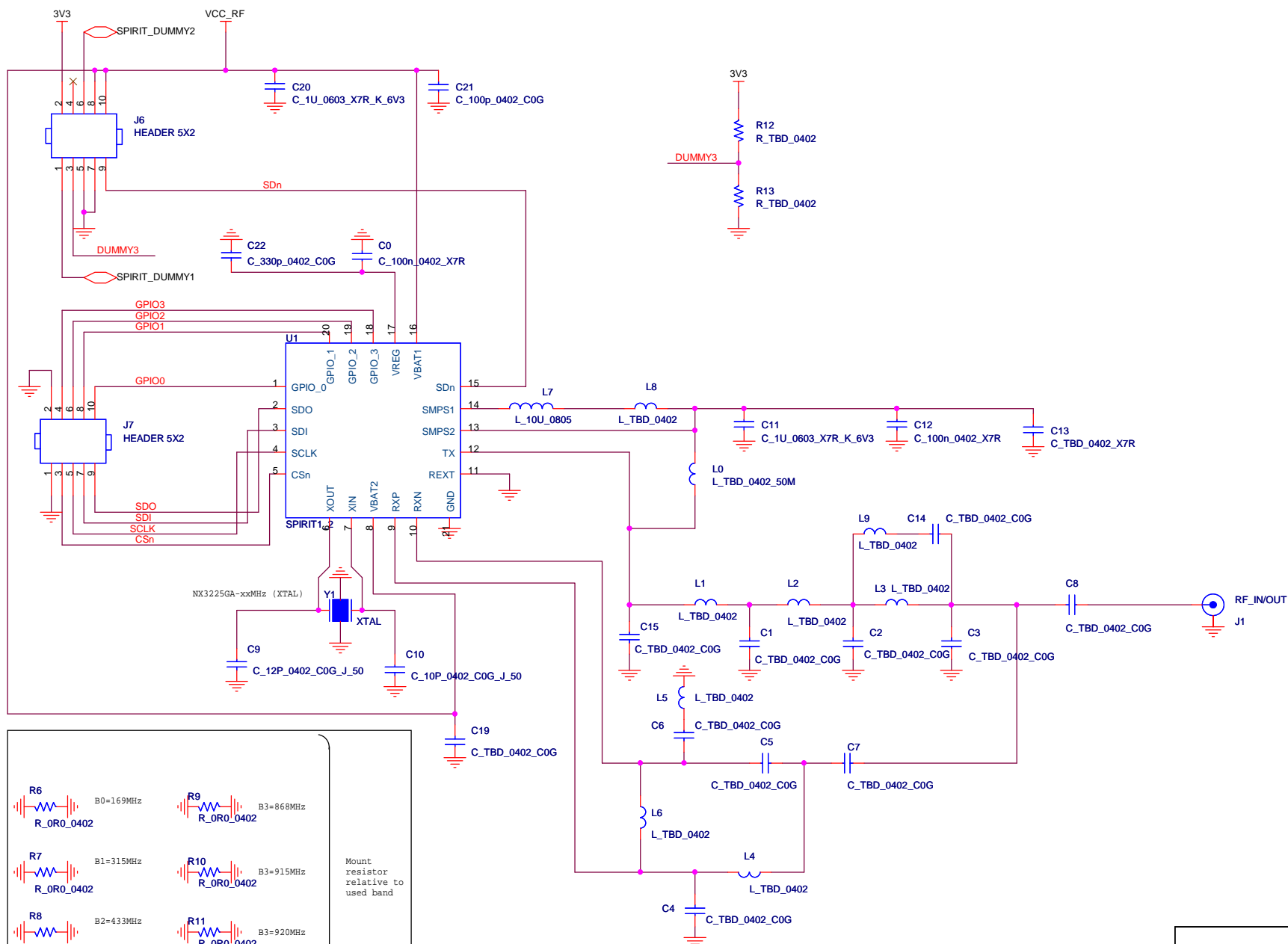
Gradconn BB02-KY102-K03-A00000



LEVEL TRASLATOR

Title		
SPiRiT AND EXTENSION CONNECTORS		
Size	Document Number	Rev
B	<Doc>	1
Date:	Friday, November 18, 2011	Sheet 11 of 11

MOTHERBOARD



R6 R_0R0_0402 B0=169MHz	R9 R_0R0_0402 B3=868MHz	Mount resistor relative to used band
R7 R_0R0_0402 B1=315MHz	R10 R_0R0_0402 B3=915MHz	
R8 R_0R0_0402 B2=433MHz	R11 R_0R0_0402 B3=920MHz	

Title SPIRIT1 RF PCB		
Size B	Document Number 1.0	Rev 1.0
Date: Monday, May 07, 2012	Sheet 1	of 1