

Circuit schematics

Figure 1. Top layer circuit schematic

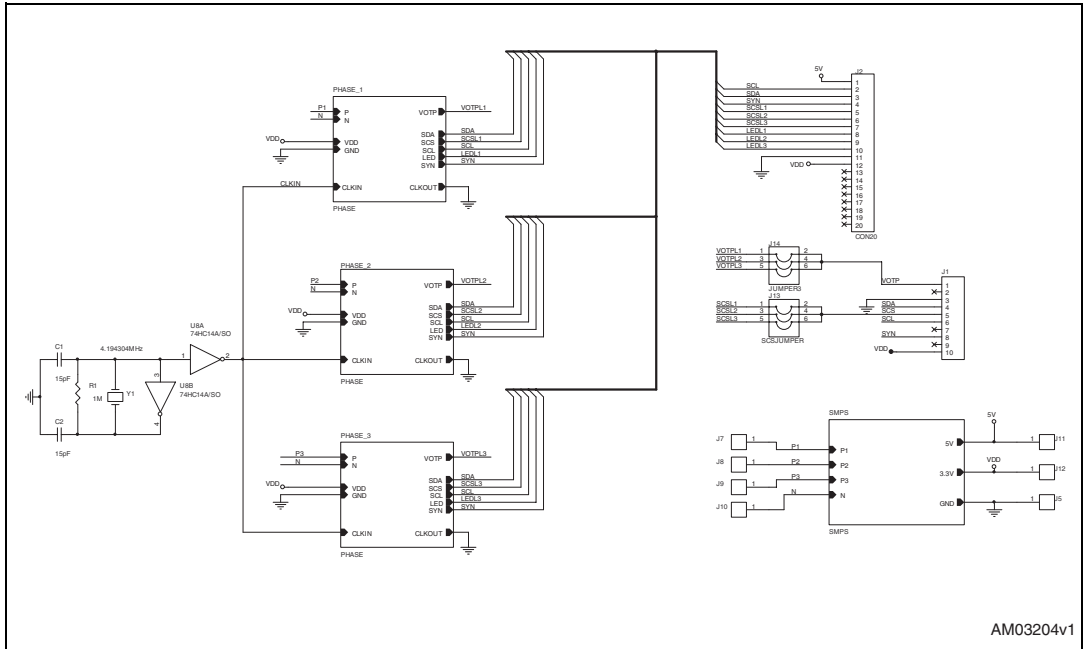
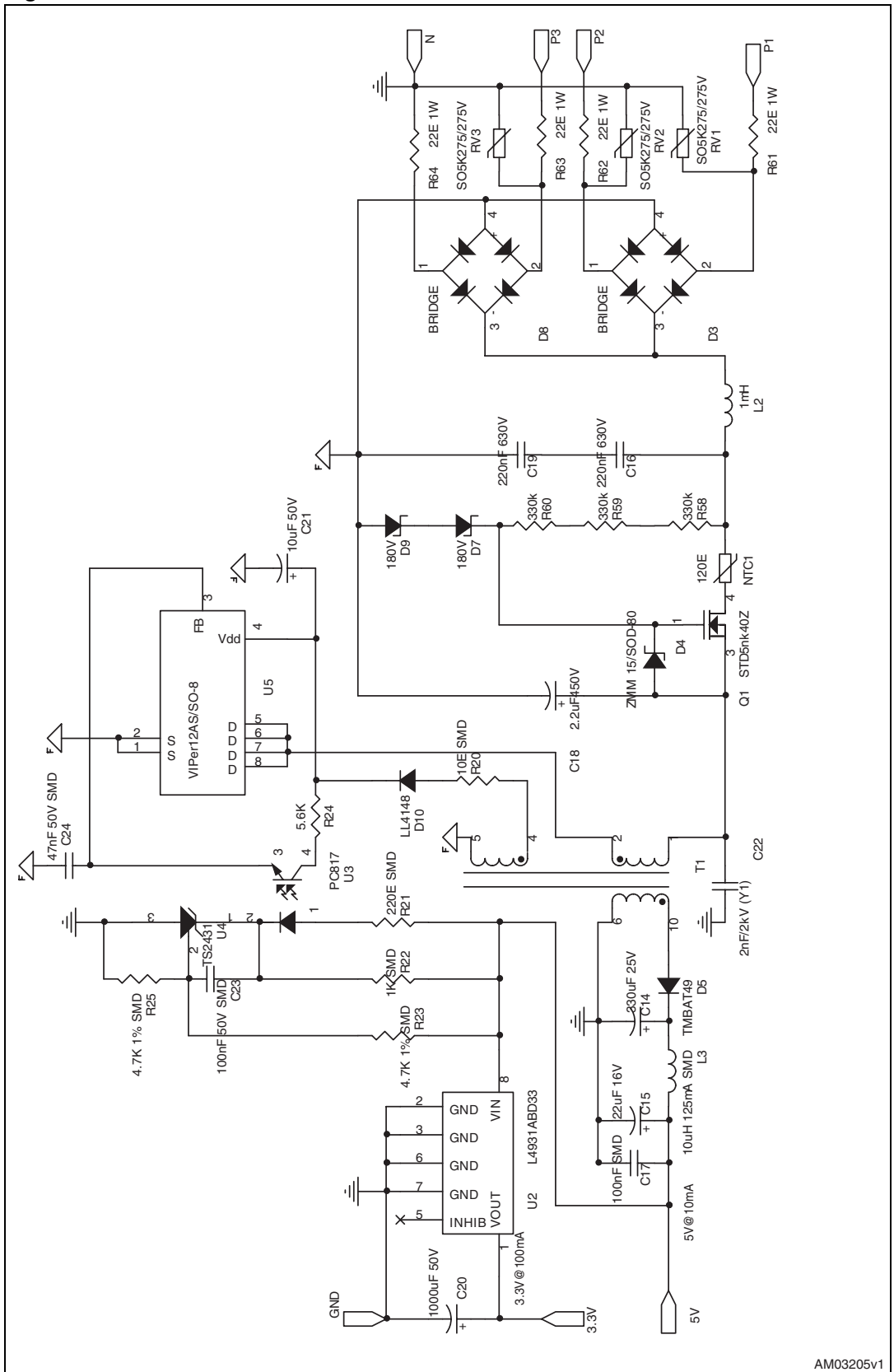


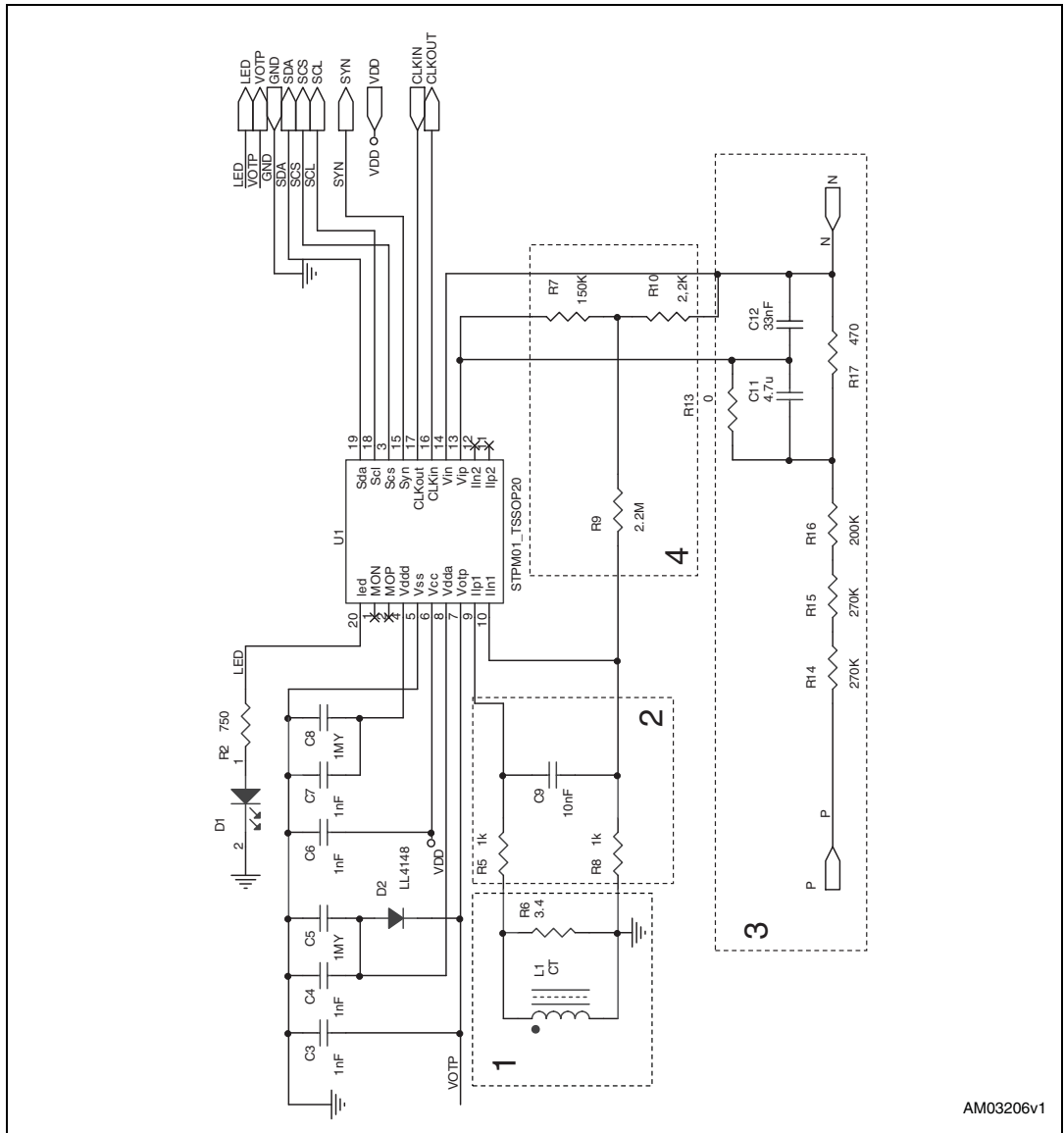
Figure 2. SMPS circuit schematic



AM03205v1



Figure 3. Phase circuit schematic



AM03206v1



Figure 4. Clock management network schematic

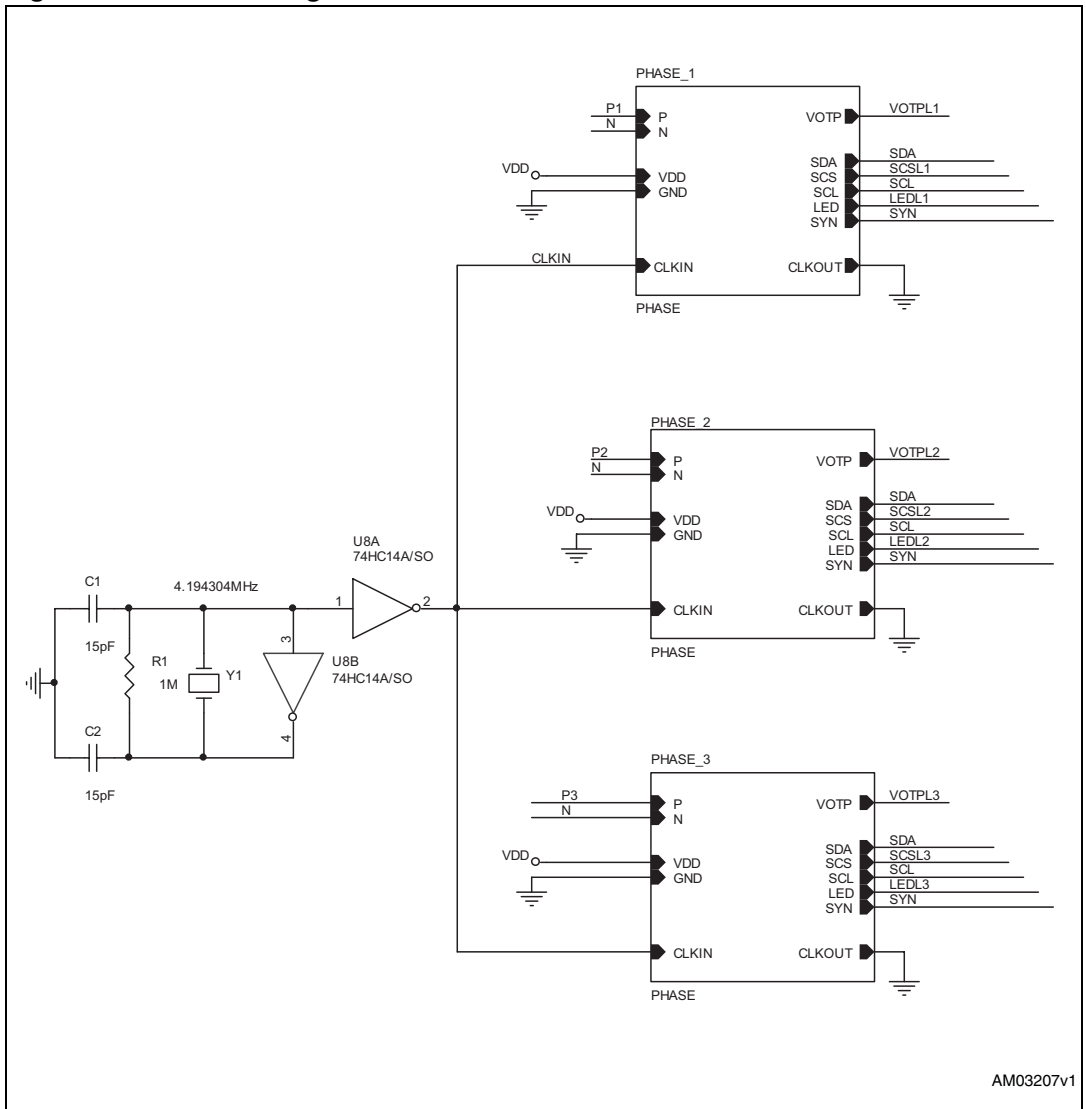


Figure 5. Connectors schematic

