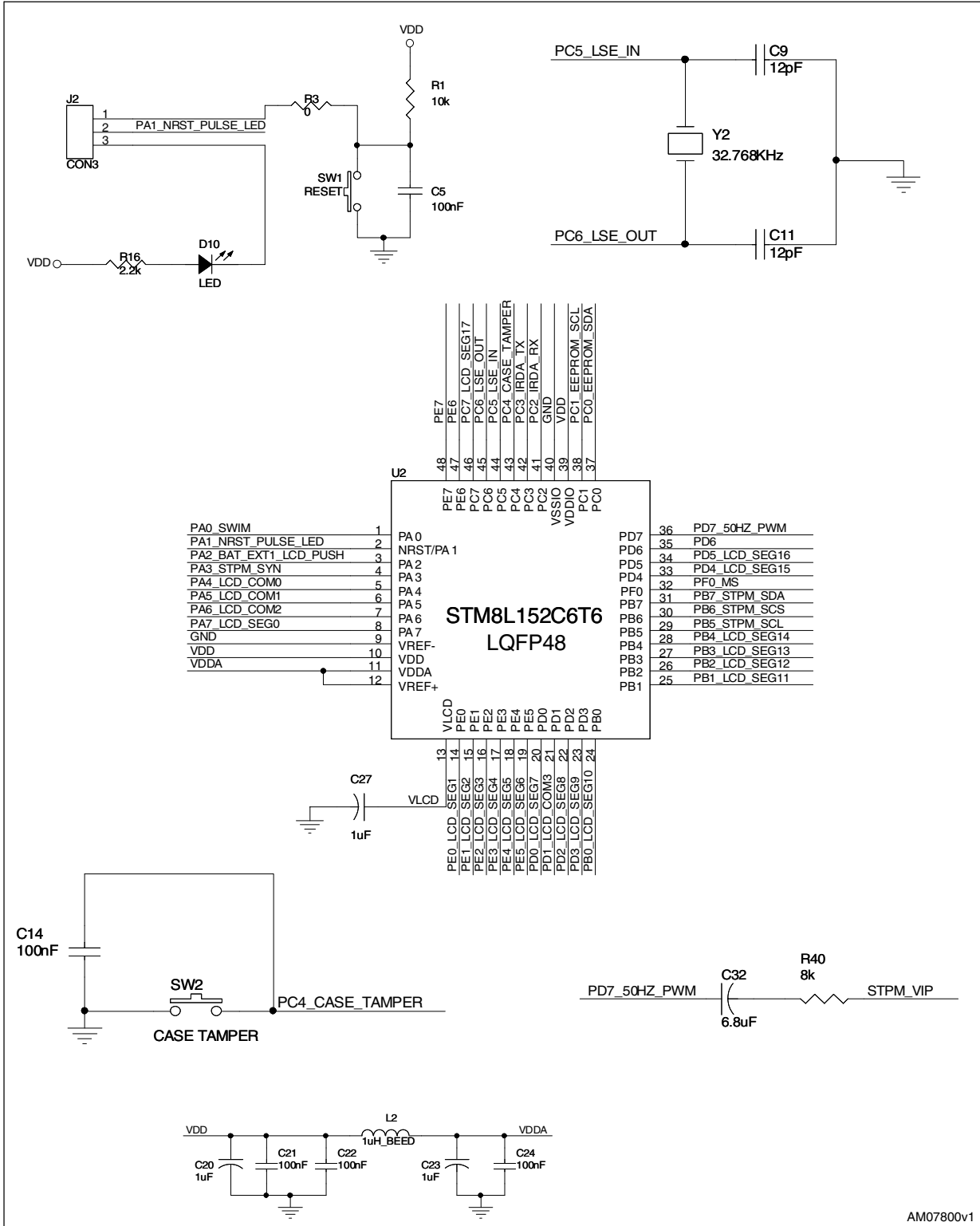
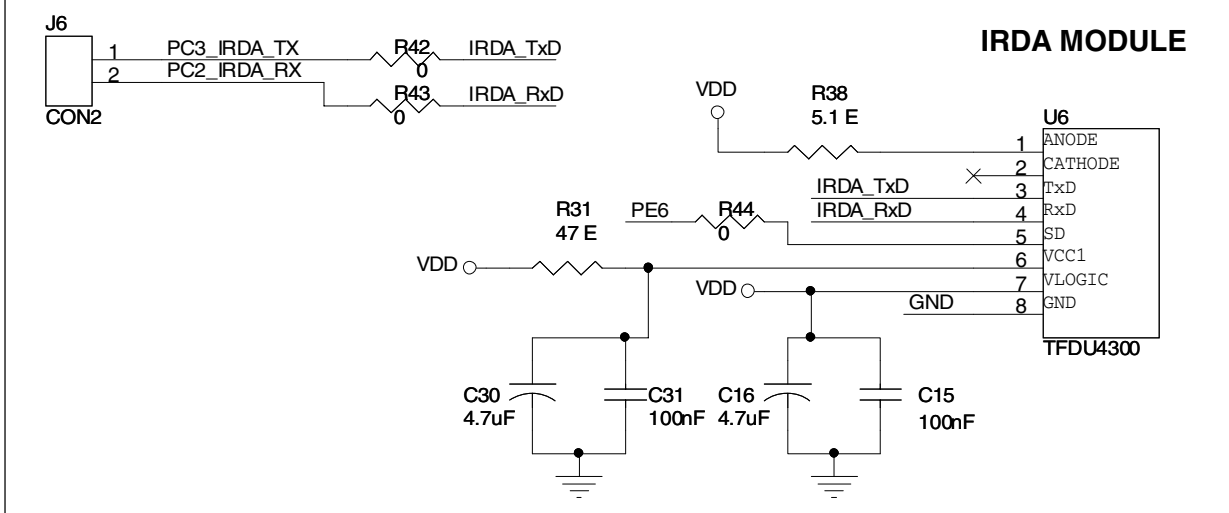
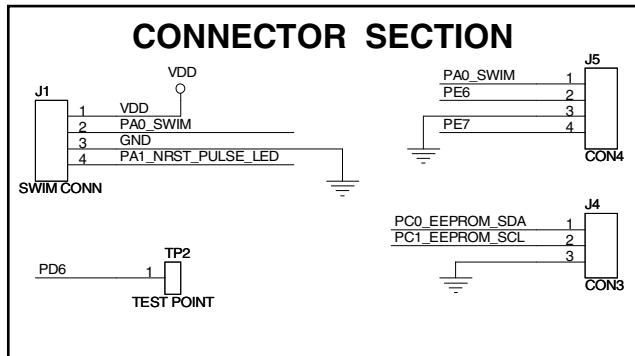
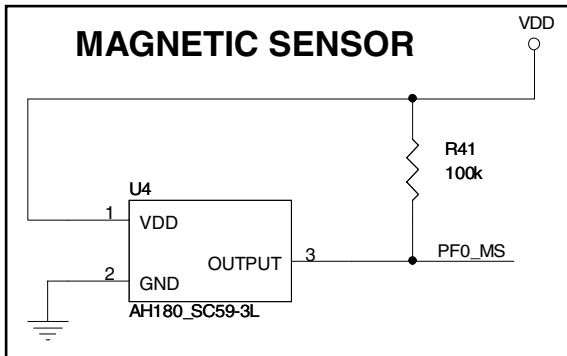
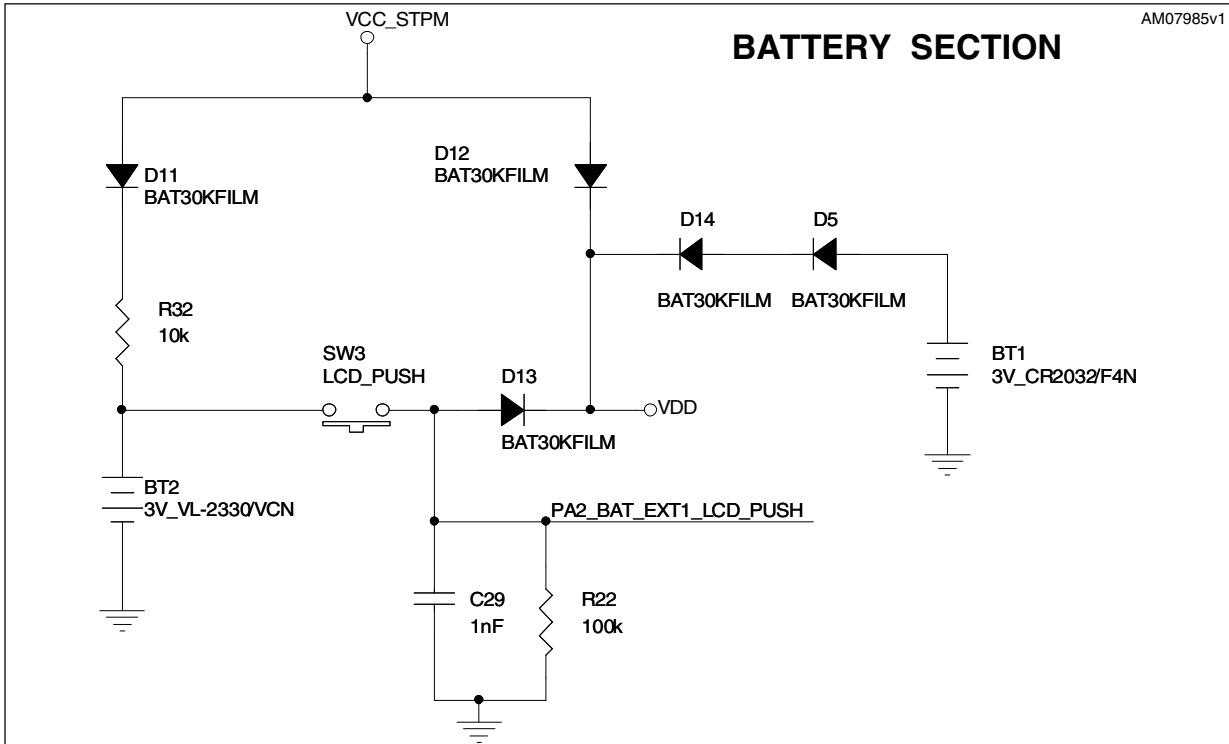


STEVAL-IPE012V1 Microcontroller schematic

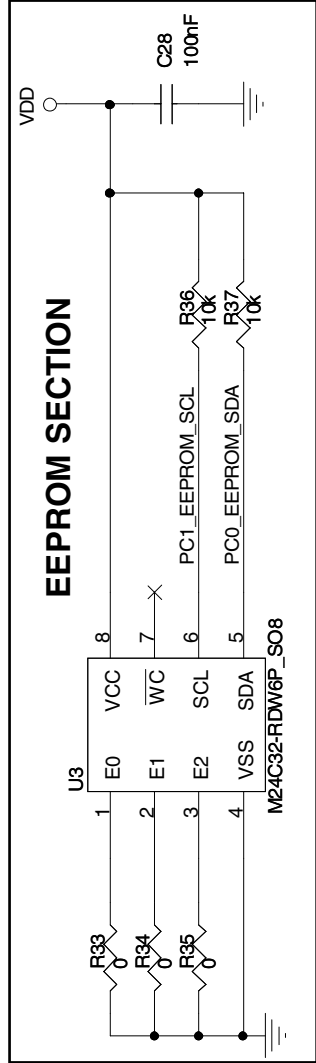
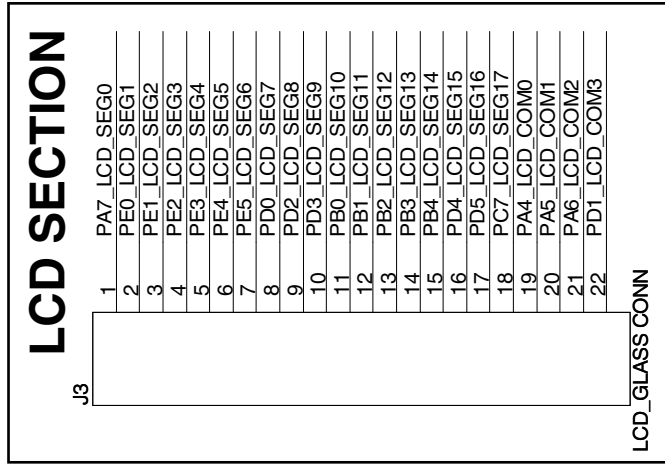
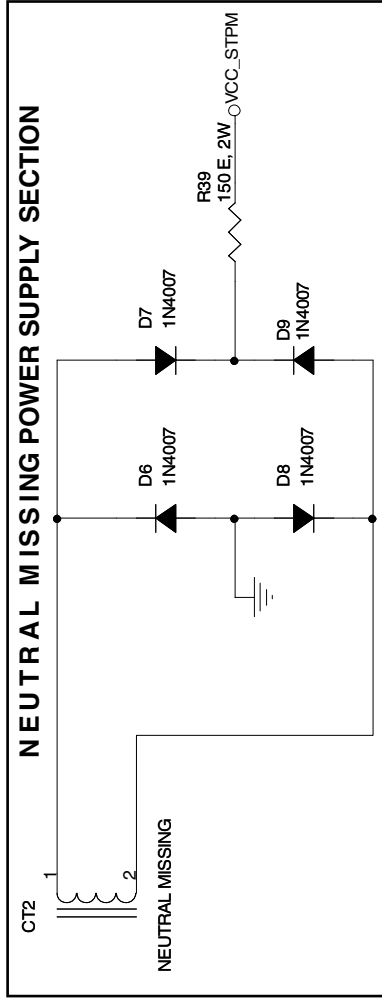
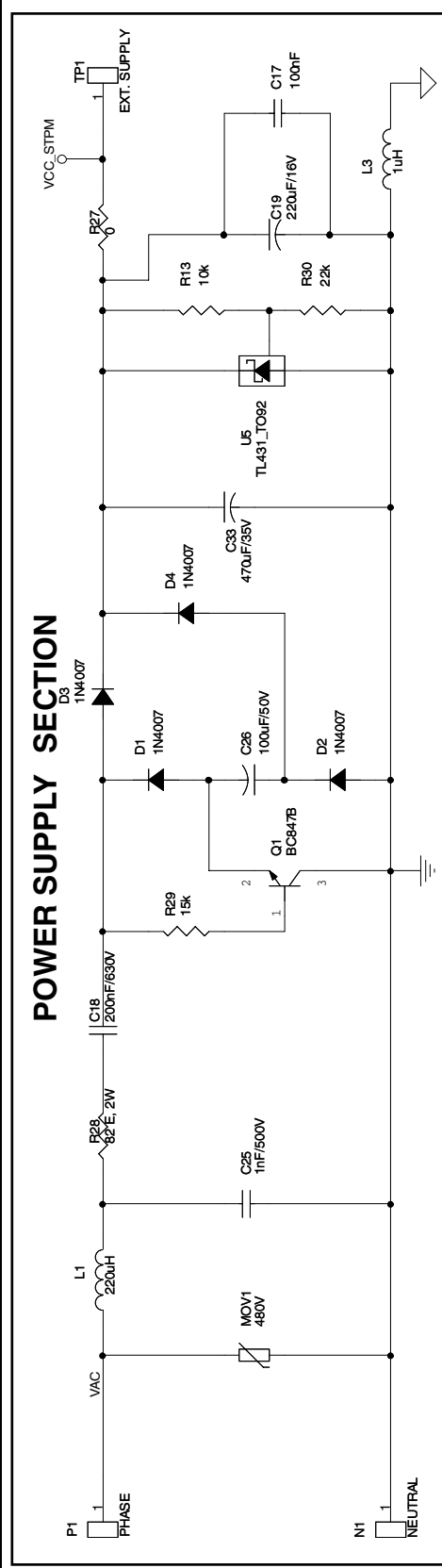


AM07800v1

STEVAL-IPE012V1 Battery section, connector section, magnetic sensor and IRDA module schematics



STEVAL-IPE012V1 Power supply section, EEPROM section, LCD section, and neutral missing power supply section schematics



AM07986v1

STEVAL-IPE012V1 STPM schematic

