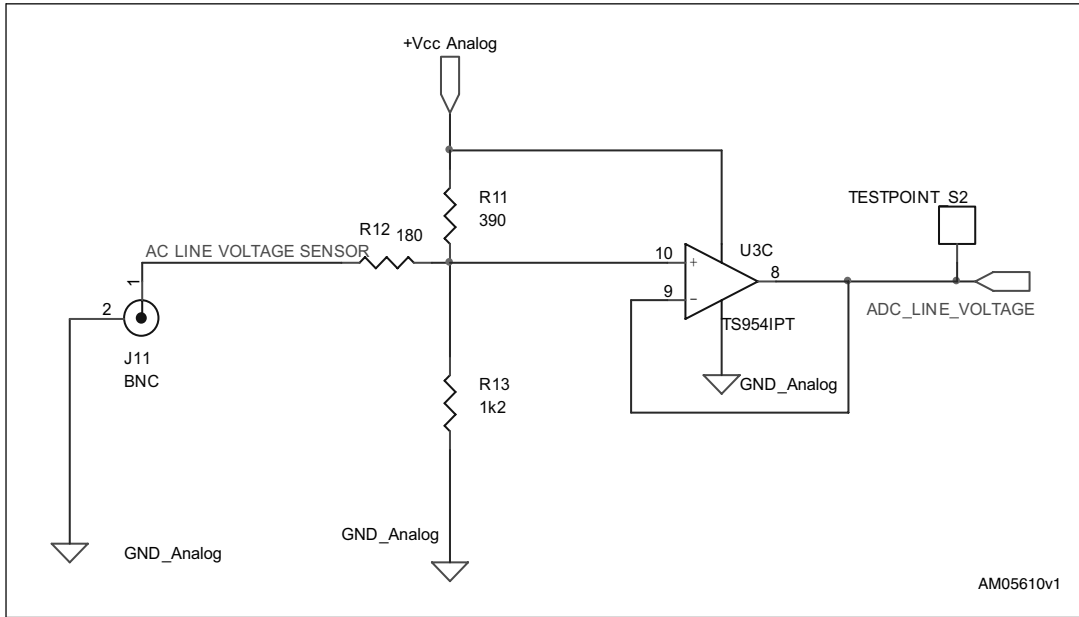
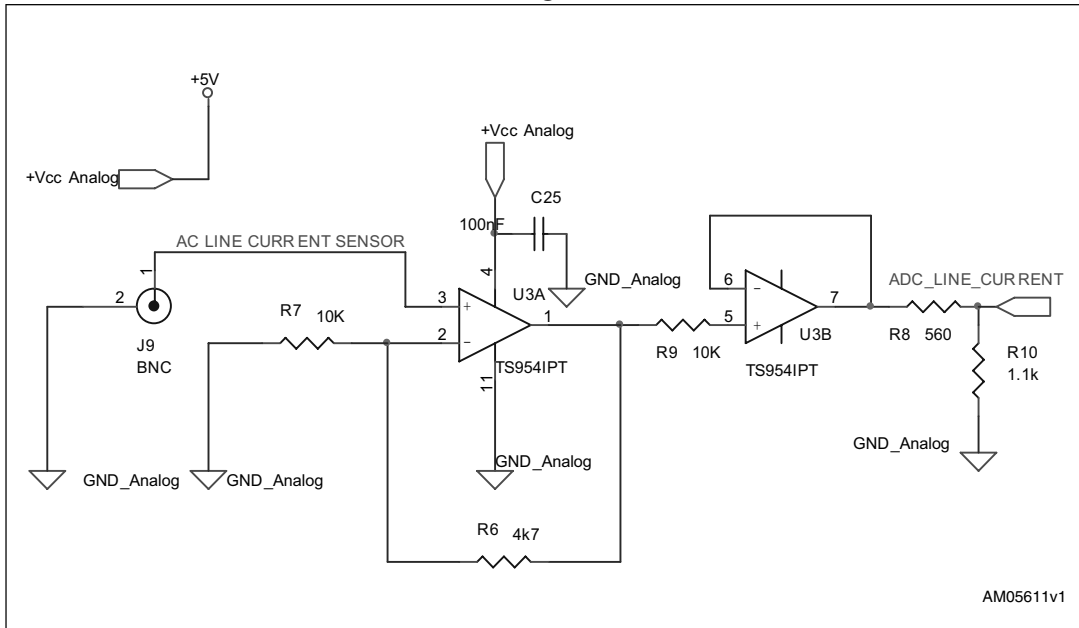


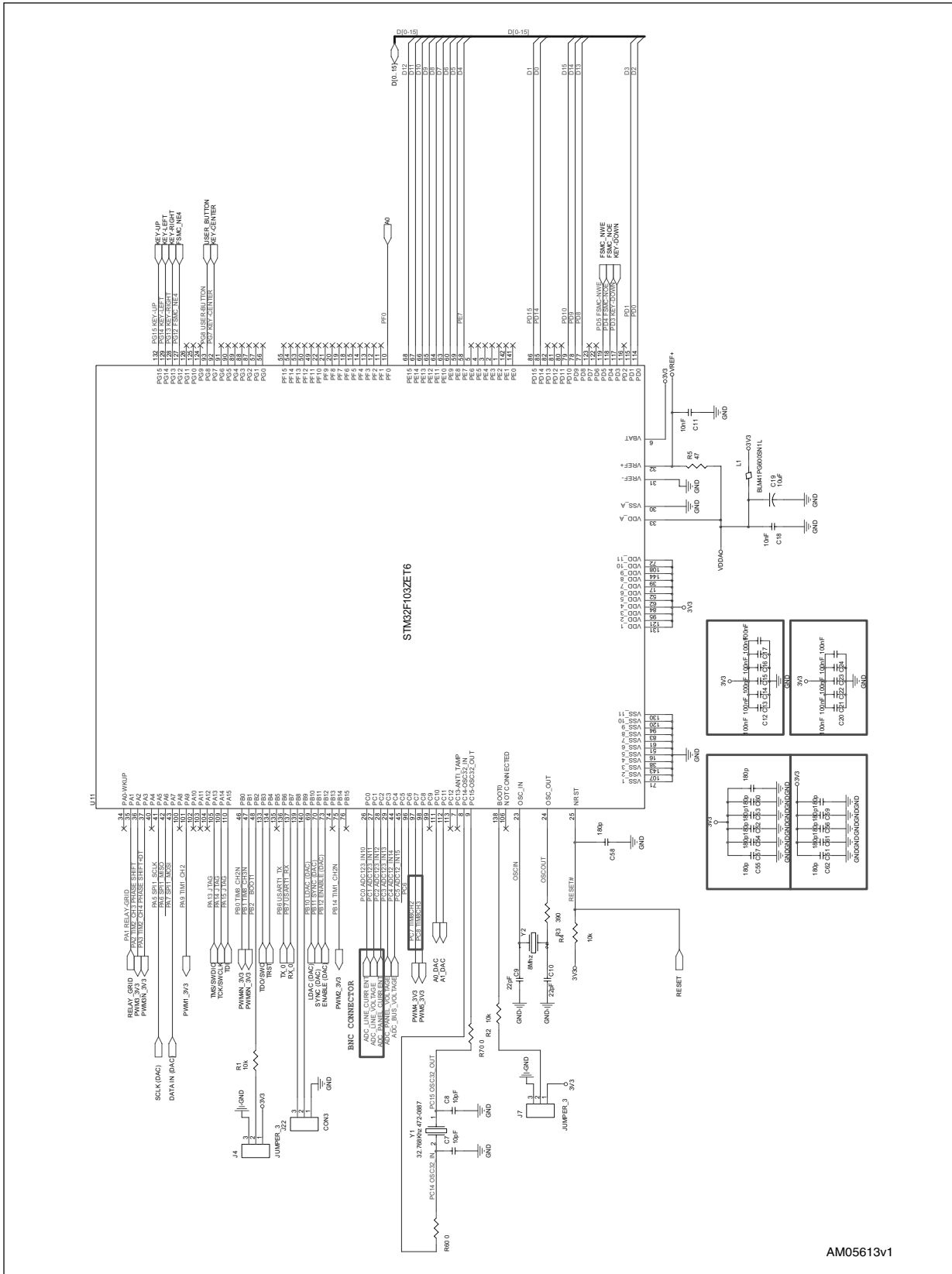
STEVAL-ISV002V1 AC voltage measurement circuit schematic



STEVAL-ISV002V1 line current conditioning circuit schematic

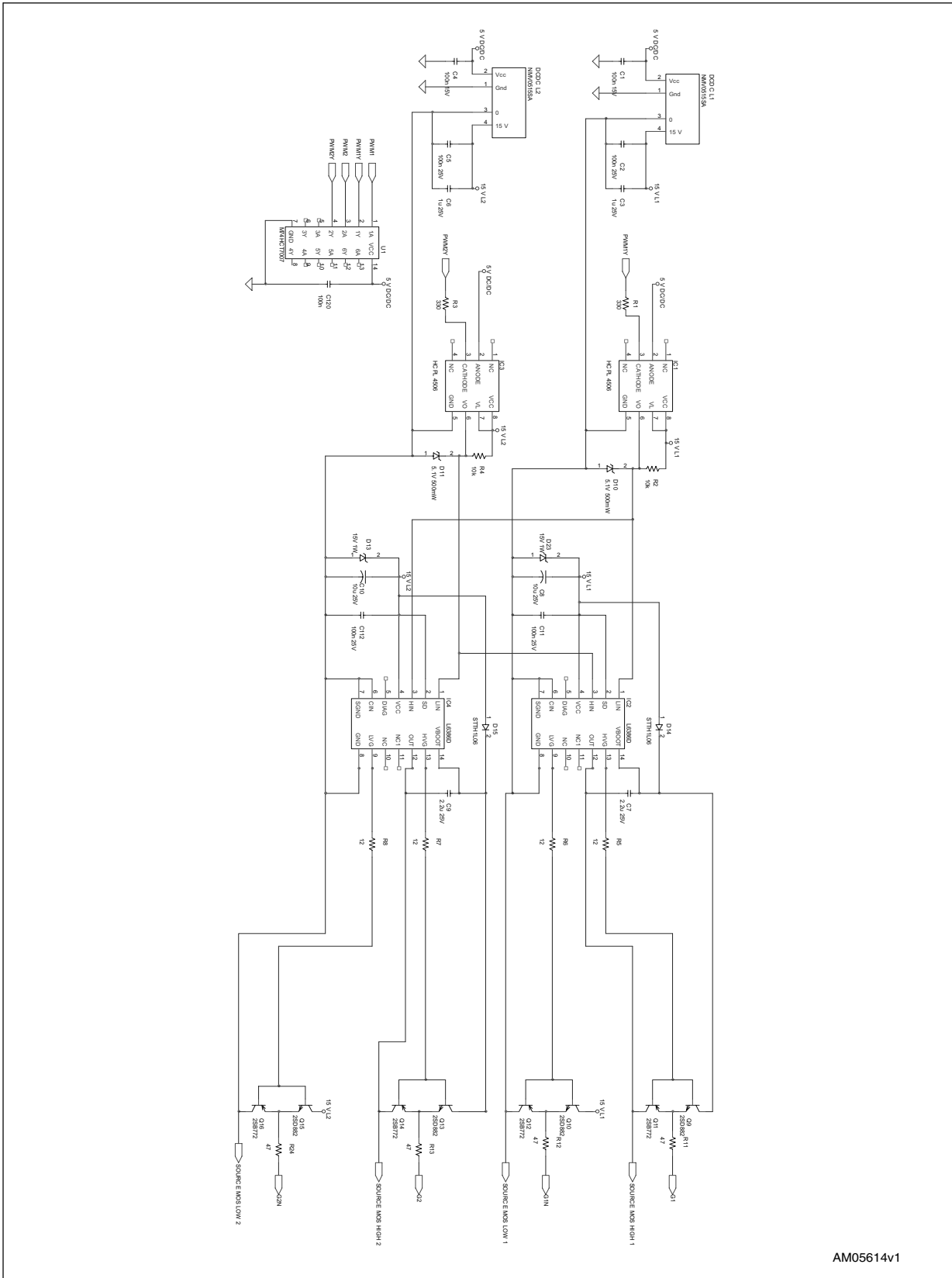


STM32 microcontroller circuit schematic

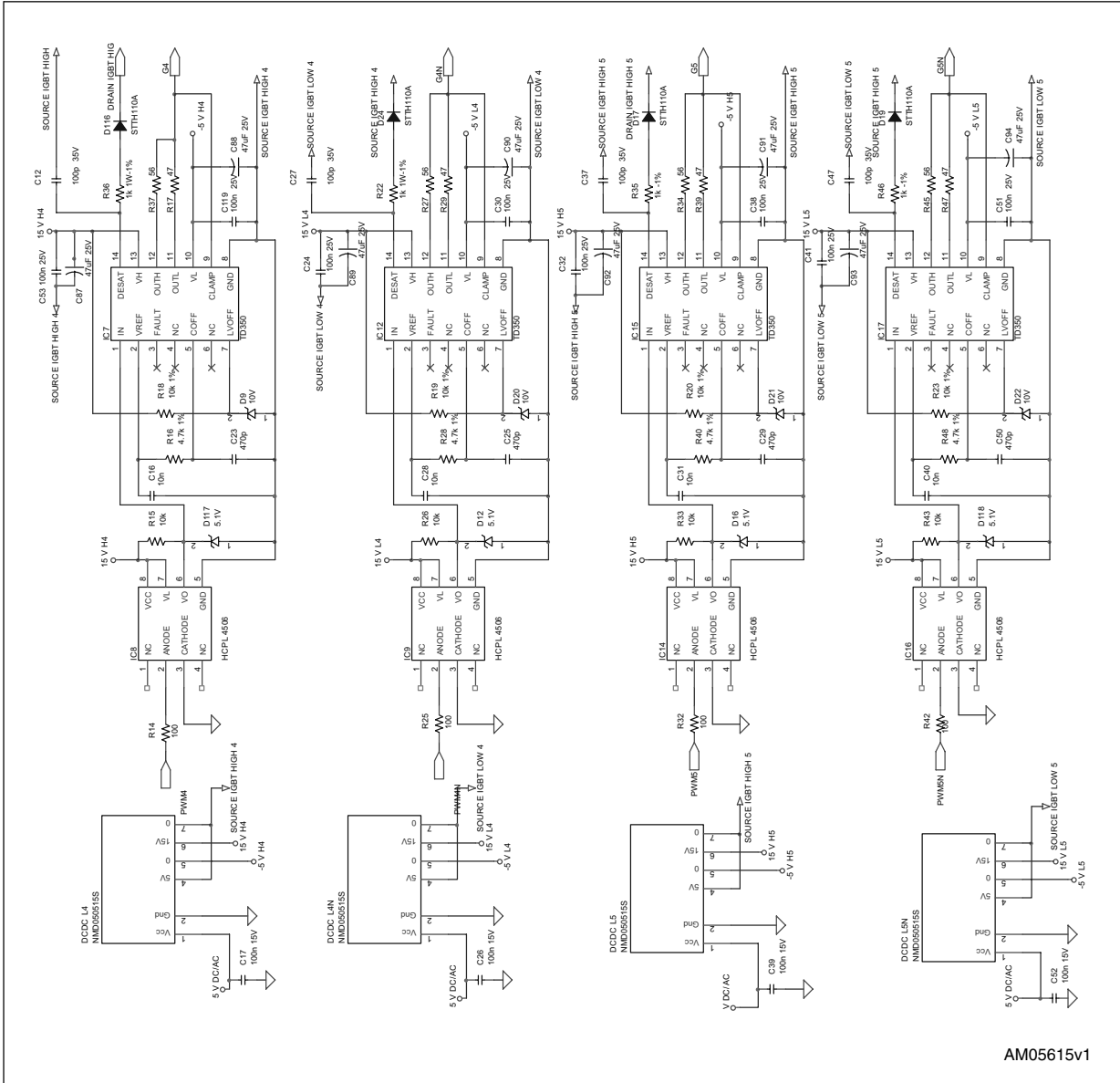


AM05613v1

DC-DC converter driver circuit schematic



DC-AC converter driver circuit schematic



AM05615v1

