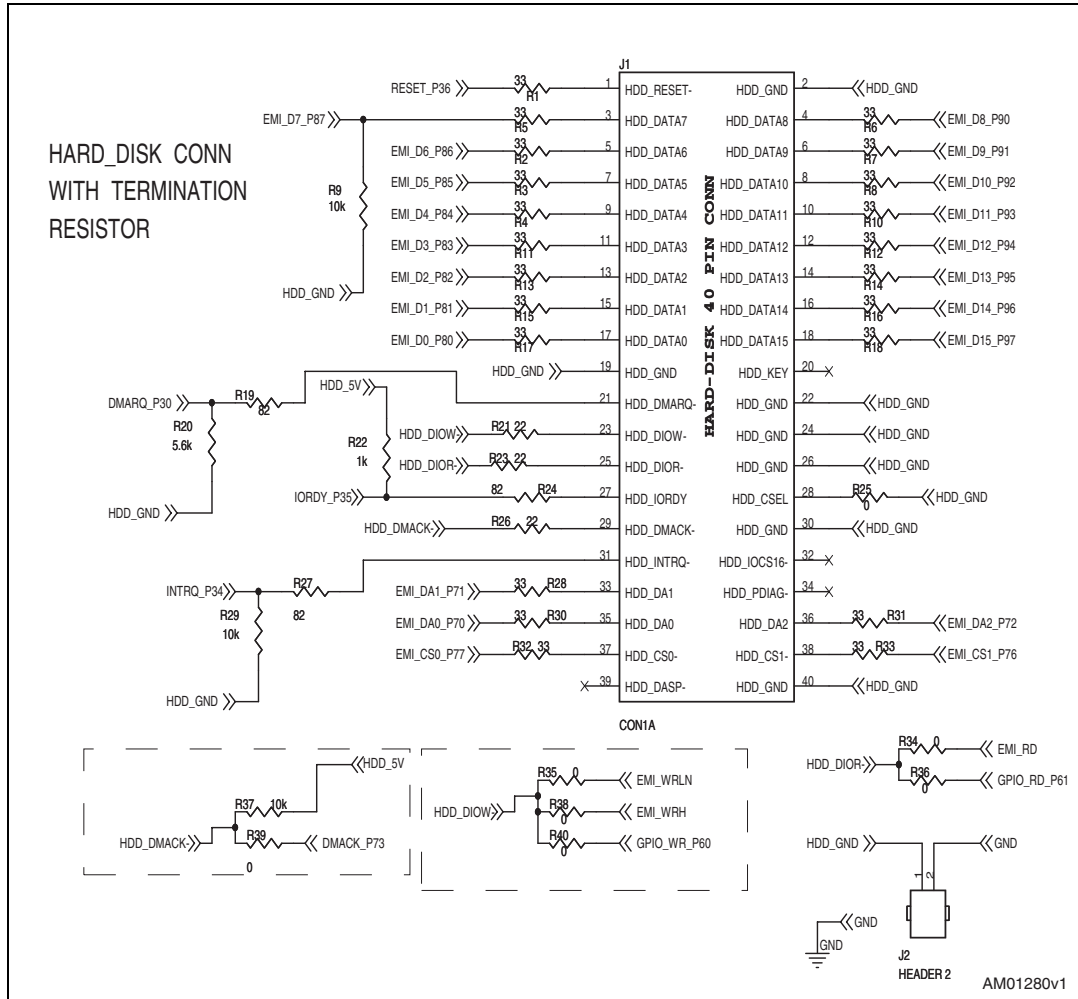
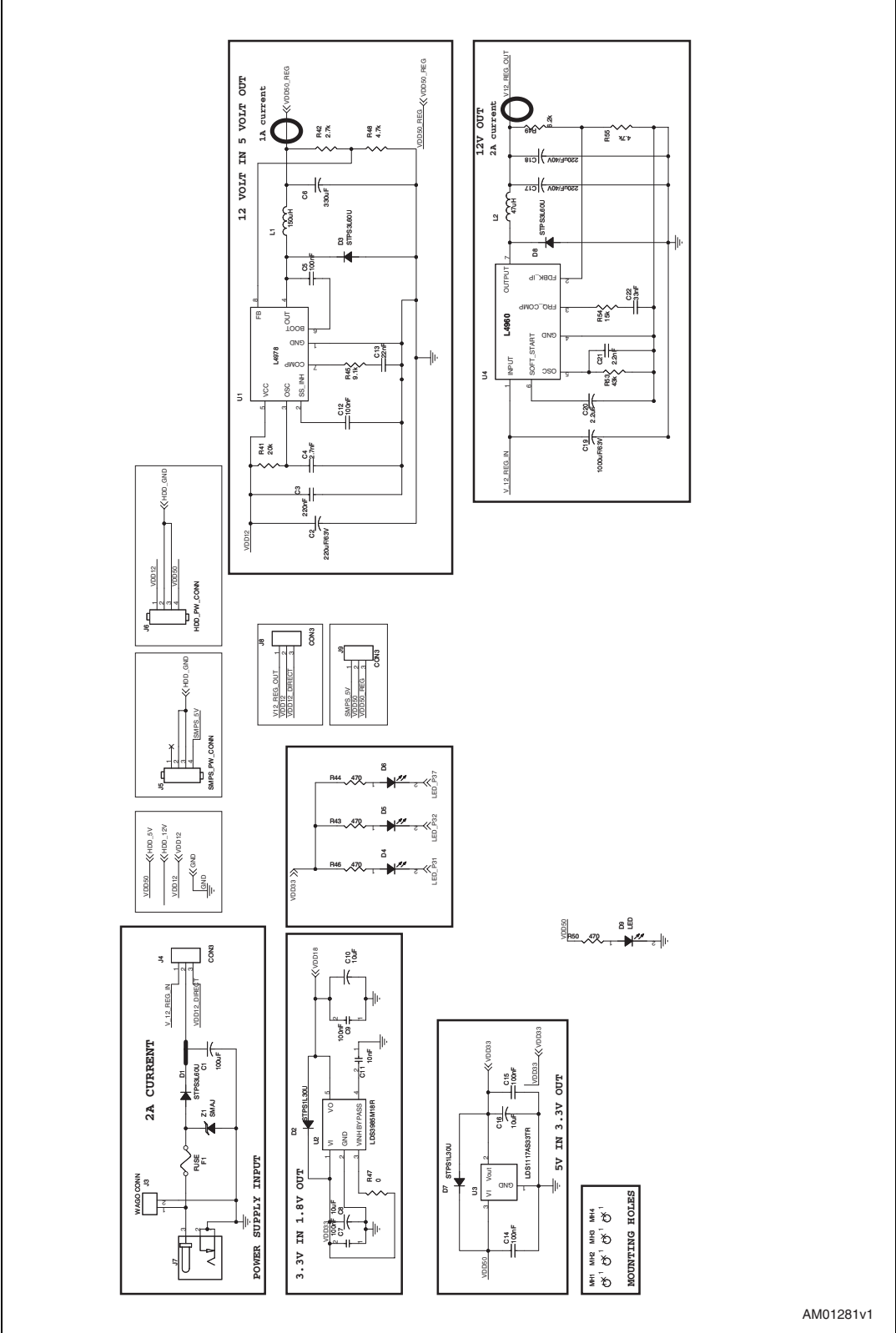




## Hard disk connector with termination resistor



# Power management section



AM01281v1

